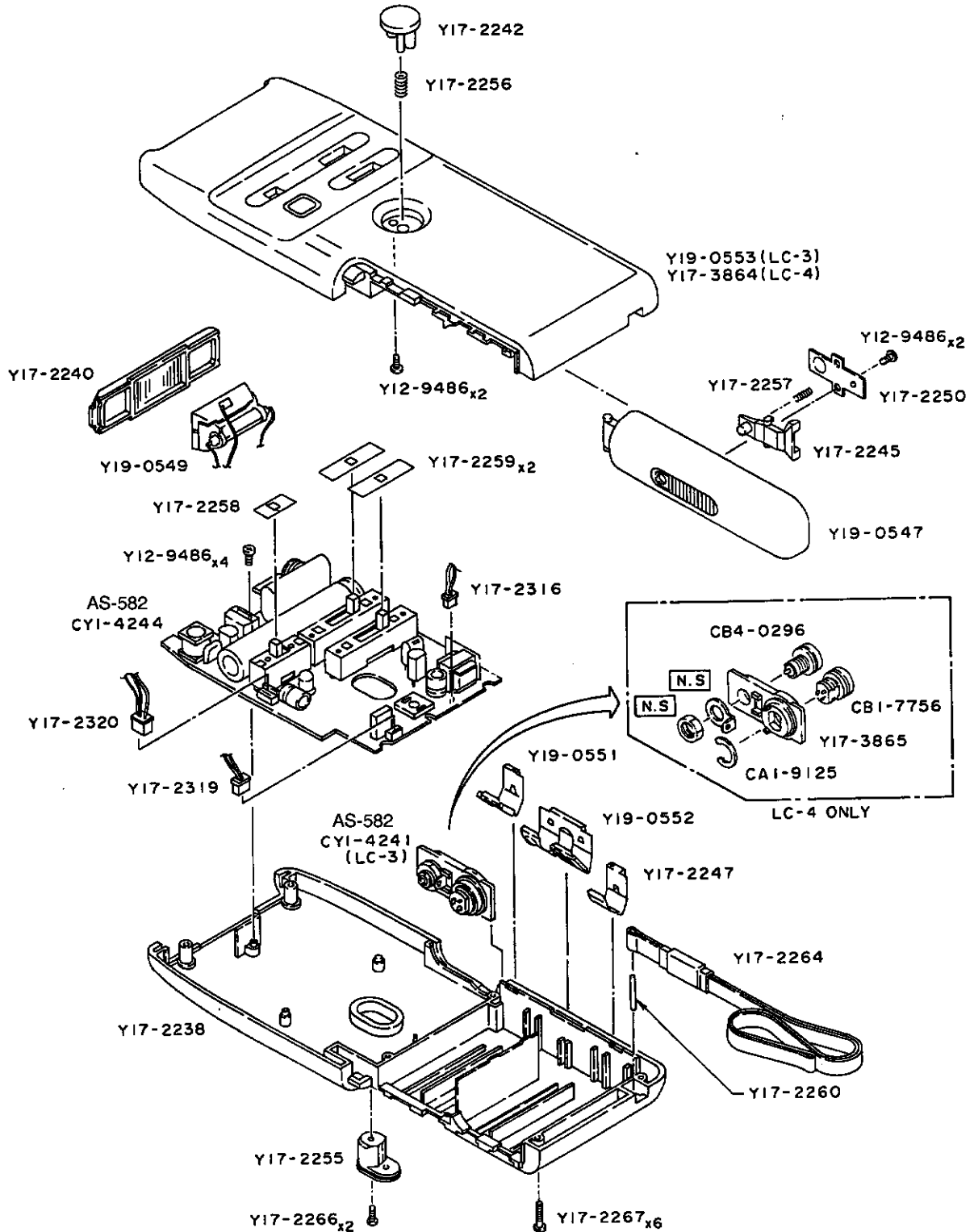




<b>WIRELESS CONTROLLER LC-3</b>	<b>C58-5621</b>
<b>TRANSMITTER</b>	<b>C58-5622</b>
<b>RECEIVER</b>	
<b>WIRELESS CONTROLLER LC-4</b>	<b>C58-5623</b>
<b>TRANSMITTER LC-4T</b>	<b>C58-5624</b>
<b>RECEIVER LC-4R</b>	

# **PARTS CATALOG**

# CANON WIRELESS CONTROLLER LC-3 LC-4T TRANSMITTER



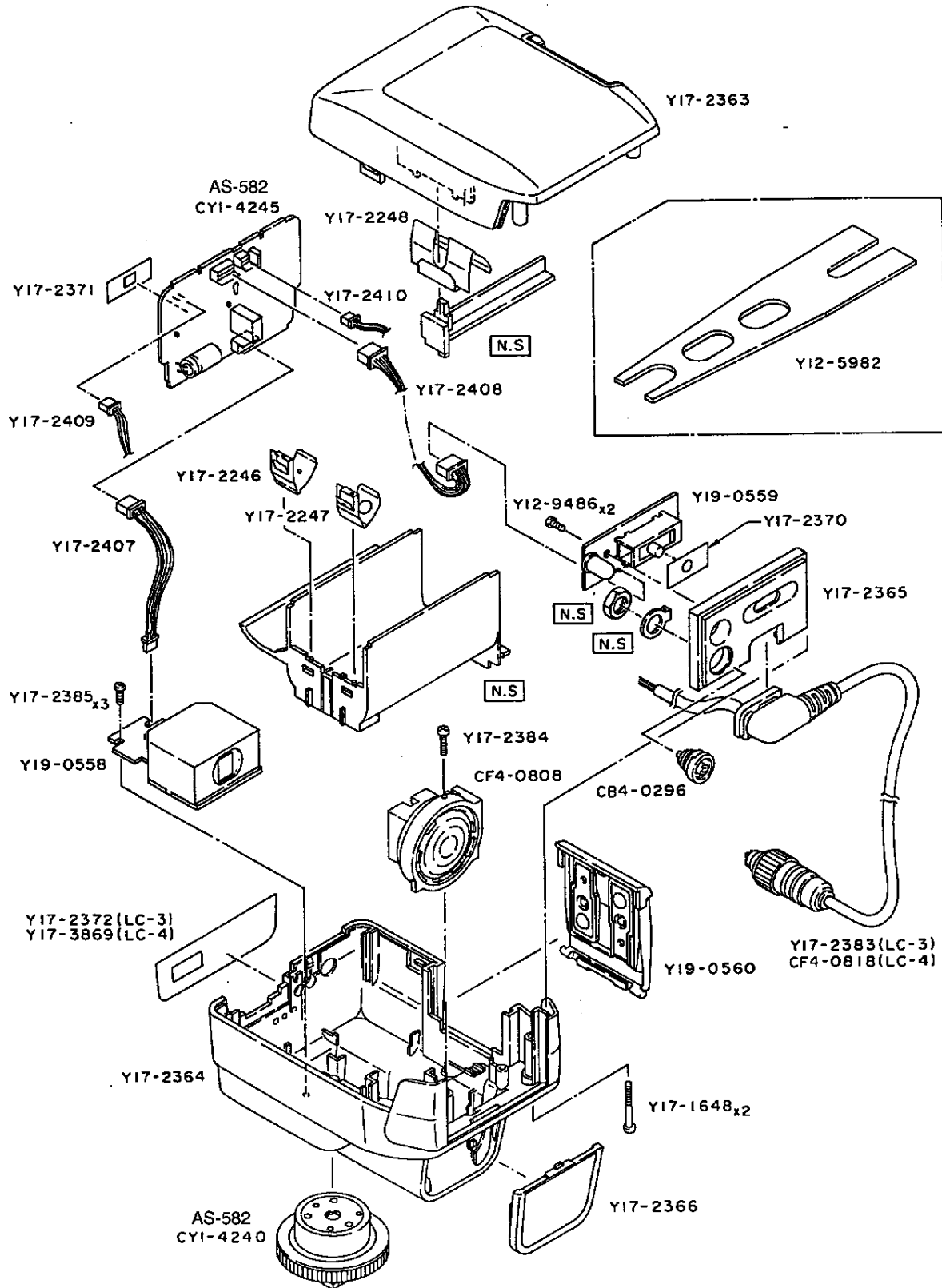
# PARTS LIST

C58-5621

C58-5623

Report.No	NEW	PARTS NO.	CLASS	QTY	DESCRIPTION
		CA1-9125-000	C	1	RING, C
		CB1-7756-000	D	1	JACK, REMOTE-CONTROL
		CB4-0296-000	D	1	TERMINAL, PC
AS-582		CY1-4241-000	D	1	TERMINAL UNIT
AS-582		CY1-4244-000	D	1	MAIN(T) CBA
		Y12-9486-000		8	SCREW, CROSS-RECESS, PH
		Y17-2238-000	D	1	COVER, LOWER
		Y17-2240-000	D	1	WINDOW, FRONT
		Y17-2242-000	D	1	BUTTON, RELEASE
		Y17-2245-000	E	1	BUTTON, LOCK
		Y17-2247-000	E	1	CONTACT, BATTERY(-)
		Y17-2250-000	E	1	CONTACT, BATTERY COVER
		Y17-2255-000	D	1	SOCKET, TRIPOD
		Y17-2256-000	E	1	SPRING, COIL
		Y17-2257-000	E	1	SPRING, COIL
		Y17-2258-000	E	1	PLATE, MAIN SWITCH
		Y17-2259-000	E	2	PLATE, MODE SWITCH
		Y17-2260-000	E	1	SHAFT, STRAP
		Y17-2264-000	D	1	STRAP
		Y17-2266-000		2	SCREW, CROSS-RECESS, PH
		Y17-2267-000		6	SCREW, CROSS-RECESS, PH
		Y17-2316-000		1	LEAD ASS'Y
		Y17-2319-000		1	LEAD ASS'Y
		Y17-2320-000		1	LEAD ASS'Y
		Y17-3864-000	E	1	CASE, UPPER
		Y17-3865-000	E	1	PLATE, TERMINAL
		Y19-0547-000	D	1	BATTERY COVER UNIT
		Y19-0549-000	D	1	XENON LAMP ASS'Y
		Y19-0551-000	E	1	CONTACT, BATTERY(+)
		Y19-0552-000	E	1	CONTACT, BATTERY
		Y19-0553-000	D	1	COVER, UPPER

# CANON WIRELESS CONTROLLER LC-3 LC-4R RECEIVER



# PARTS LIST

C58-5622  
C58-5624

Report.No.	NEW	PARTS NO.	CLASS	QTY	DESCRIPTION
		CB4-0296-000	D	1	TERMINAL, PC
		CF4-0808-000	D	1	LENS UNIT
		CF4-0818-000	E	1	CABLE, REMOTE
AS-582		CY1-4240-000	D	1	FOOT ASS'Y
AS-582		CY1-4245-000	D	1	MAIN(R) CBA
		Y12-5982-000	D	1	BRACKET
		Y12-9486-000		2	SCREW, CROSS-RECESS, PH
		Y17-1648-000		2	SCREW, CROSS-RECESS, PH
		Y17-2246-000	E	1	CONTACT, BATTERY(+)
		Y17-2247-000	E	1	CONTACT, BATTERY(-)
		Y17-2248-000	E	1	CONTACT, BATTERY
		Y17-2363-000	D	1	CASE, UPPER
		Y17-2364-000	D	1	CASE, LOWER
		Y17-2365-000	D	1	PANEL, FRONT
		Y17-2366-000	D	1	WINDOW, SPD
		Y17-2370-000	E	1	PLATE, CHANNEL SWITCH
		Y17-2371-000	E	1	PLATE, MAIN SWITCH
		Y17-2372-000	D	1	PLATE, NAME
		Y17-2383-000	D	1	REMOTE CABLE UNIT
		Y17-2384-000		1	SCREW, CROSS-RECESS, PH
		Y17-2385-000		3	SCREW, CROSS-RECESS, PH
		Y17-2407-000		1	LEAD ASS'Y
		Y17-2408-000		1	LEAD ASS'Y
		Y17-2409-000		1	LEAD ASS'Y
		Y17-2410-000		1	LEAD ASS'Y
		Y17-3869-000	E	1	PLATE, NAME
		Y19-0558-000	D	1	SPD SENSOR CBA
		Y19-0559-000	D	1	CHANNEL SWITCH CBA
		Y19-0560-000	D	1	BATTERY COVER UNIT(R)