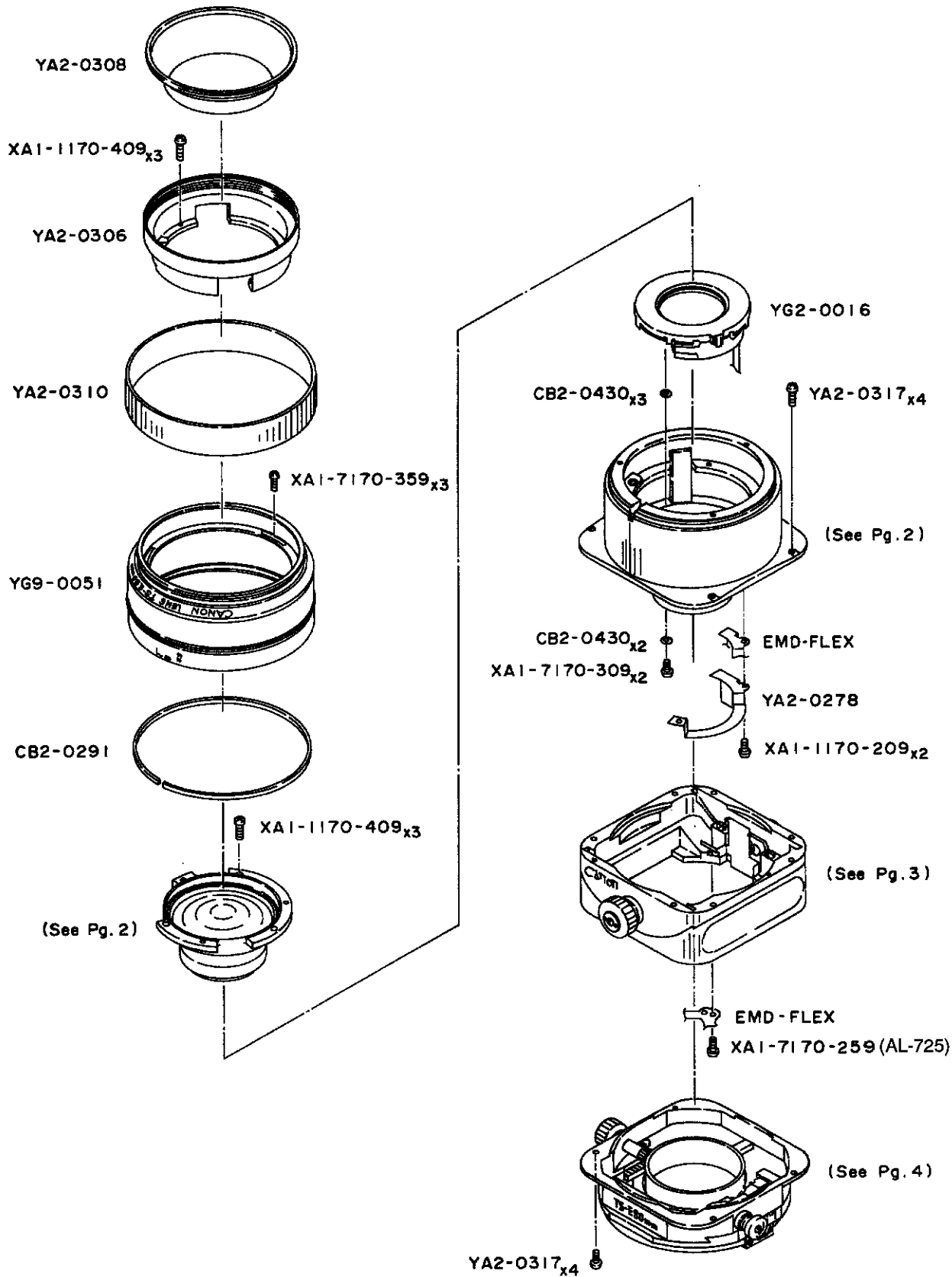


**Canon**

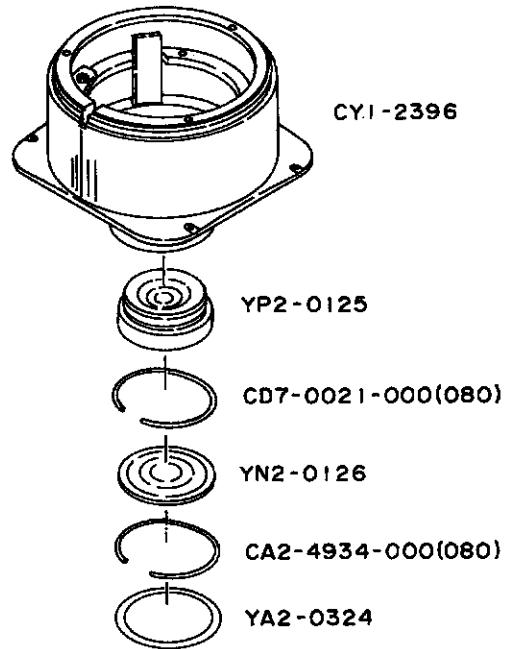
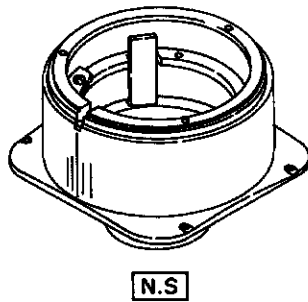
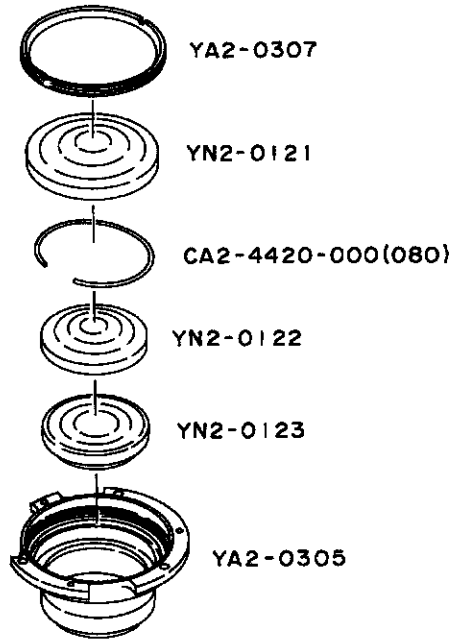
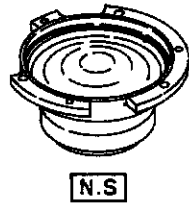
**TS-E 90mm 1:2.8**  
**REF.NO.C21-7291**

**PARTS**  
**CATALOG**

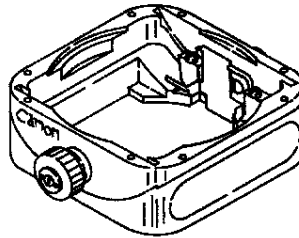
# CANON TS-E 90 mm 1:2.8



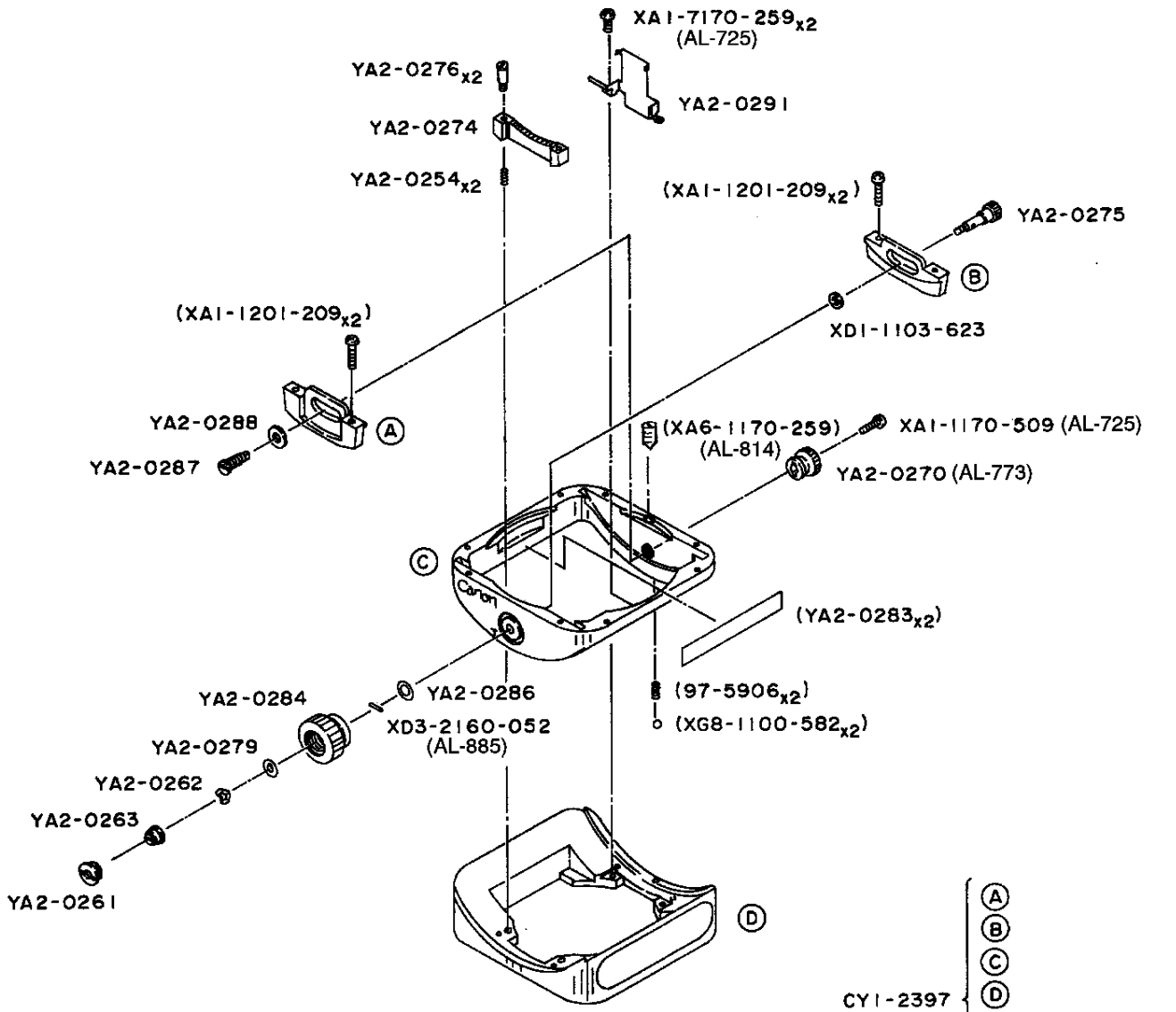
CANON TS-E 90 mm 1:2.8



CANON TS-E 90 mm 1:2.8

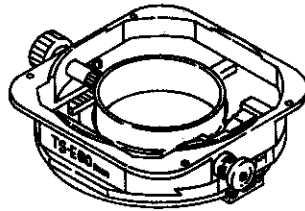


CY3-1058  
(AL-031)

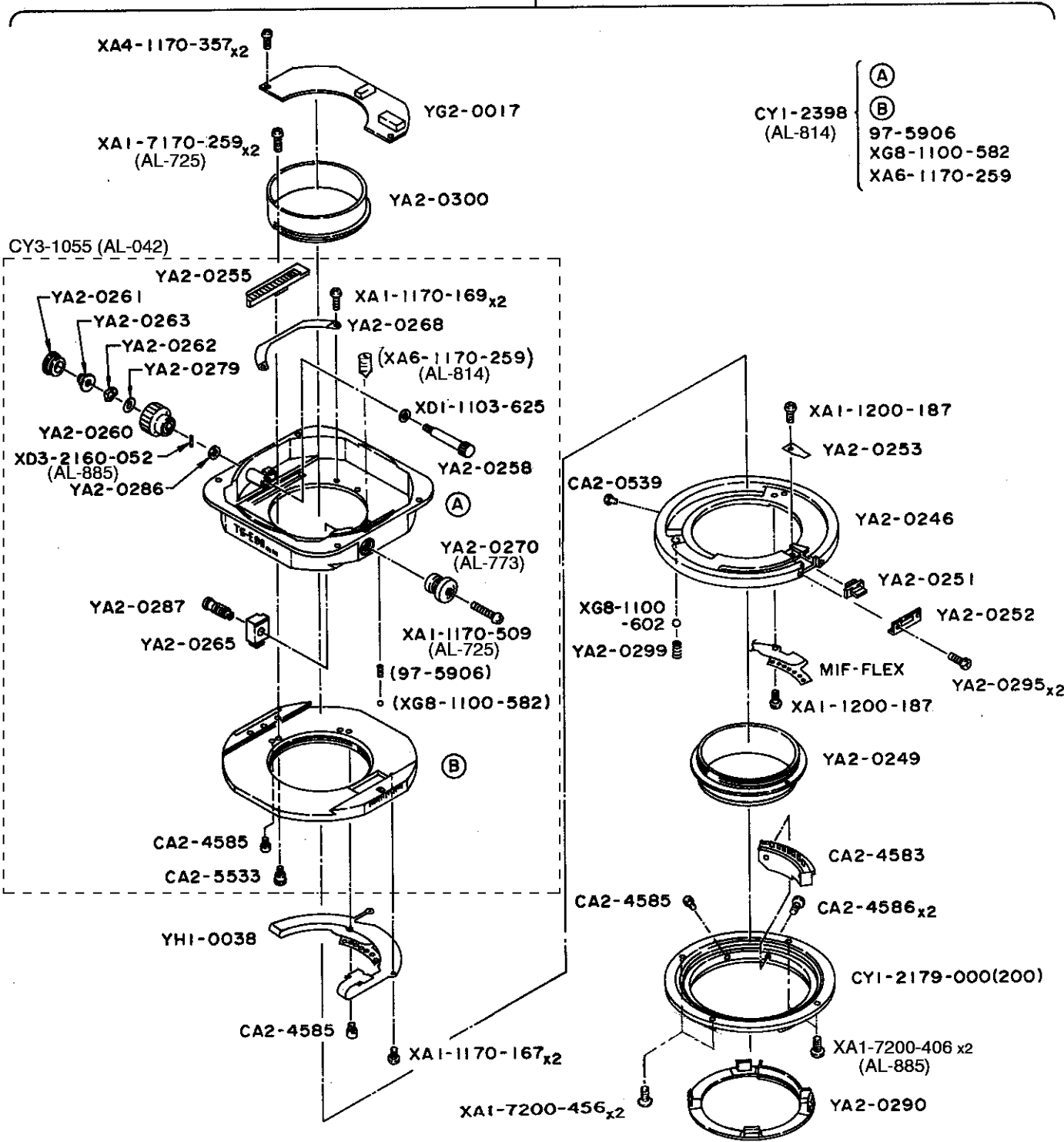


- (A)
  - (B)
  - (C)
  - (D)
- CY1-2397 (AL-814)  
 97-5906<sub>x2</sub>  
 YA2-0283<sub>x2</sub>  
 XA1-1201-209<sub>x4</sub>  
 XG8-1100-582<sub>x2</sub>  
 XA6-1170-259

# CANON TS-E 90 mm 1:2.8



**N.S** (AL-030,042)



# PARTS LIST

REF.No.C21-7291

NEW	PART.NO.	CLASS	QTY	DESCRIPTION	PAGE
	97-5906-000	E	3	SPRING, COIL	3,4
	CA2-0539-000	E	1	RED MOUNTING INDEX	4
	CA2-4420-000 (080)	E	1	RING, SNAP	2
	CA2-4583-000	D	1	CONTACT ASS'Y	4
	CA2-4585-000	E	3	SCREW, MOUNT STOPPER	4
	CA2-4586-000	E	2	SCREW	4
	CA2-4934-000 (080)	E	1	RING, SNAP	2
	CA2-5533-000	E	1	STUD	4
	CB2-0291-000	E	1	SHIELD, DUST	1
	CB2-0430-000	E	5	COLLAR	1
	CD7-0021-000 (080)	E	1	RING, SNAP	2
	CY1-2179-000 (200)	E	1	MOUNT, LENS	4
	CY1-2396-000	E	1	HELICOID ASS'Y	2
	CY1-2397-000	E	1	TILTING MEMBER UNIT	3
	CY1-2398-000	E	1	SHIFT MEMBER UNIT	4
	CY3-1055-000	E	1	SHIFT BASE ASS'Y	4
	CY3-1058-000	E	1	TILT BASE ASS'Y	3
	XA1-1170-167		2	SCREW PH1.7X1.6	4
	XA1-1170-169		2	SCREW, CROSS-RECESS, PH	4
	XA1-1170-209		2	SCREW, CROSS-RECESS, PH	1
	XA1-1170-409		6	SCREW, CROSS-RECESS, PH	1
	XA1-1170-509		2	SCREW, CROSS-RECESS, PH	3,4
	XA1-1200-187		2	SCREW, M2X1.8	4
	XA1-1201-209		4	SCREW	3
	XA1-7170-259		5	SCREW, CROSS-RECESS, PH	1,3,4
	XA1-7170-309		2	SCREW, CROSS-RECESS, PH	1
	XA1-7170-359		3	SCREW, CROSS-RECESS, PH	1
	XA1-7200-406		2	SCREW, CROSS-RECESS, PH	4
	XA1-7200-456		2	SCREW, CROSS-RECESS, PH	4
	XA4-1170-357		2	SCREW, CROSS-RECESS, PH	4
	XA6-1170-259		2	SETSCREW, SLOTTED, HLCP	3,4
	XD1-1103-623		1	WASHER	3
	XD1-1103-625		1	WASHER	4
	XD3-2160-052		2	PIN	3,4
	XG8-1100-582		3	BALL, STEEL	3,4
	XG8-1100-602		1	BALL, STEEL	4
	YA2-0246-000	E	1	SEAT, MOUNT	4
	YA2-0249-000	E	1	COLLAR, ASSEMBLY	4
	YA2-0251-000	E	1	STOPPER, REVOLVING	4
	YA2-0252-000	E	1	HOLDER, STOPPER	4
	YA2-0253-000	E	1	SPRING, PLATE	4
	YA2-0254-000	E	2	SPRING, COIL	3
	YA2-0255-000	E	1	PACK, SHIFT	4
	YA2-0258-000	E	1	PINION, SHIFT	4
	YA2-0260-000	D	1	KNOB, SHIFT	4
	YA2-0261-000	D	2	NUT, LOCK	3,4
	YA2-0262-000	E	2	WASHER, SPRING	3,4
	YA2-0263-000	D	2	COLLAR, ADJUSTING	3,4
	YA2-0265-000	E	1	CLAMP, SHIFT	4
	YA2-0268-000	E	1	SPRING, PLATE	4
	YA2-0270-000	D	2	KNOB, TILT CLAMP	3,4
	YA2-0274-000	E	1	RACK, TILT	3
	YA2-0275-000	E	1	PINION, TILT	3
	YA2-0276-000	E	2	SCREW, SHAFT	3
	YA2-0278-000	E	1	LIGHT SHIELD	1

# PARTS LIST

REF.No.C21-7291

NEW	PART.NO.	CLASS	QTY	DESCRIPTION	PAGE
	YA2-0279-000	E	2	WASHER	3,4
	YA2-0283-000	E	2	LIGHT SHIELD	3
	YA2-0284-000	D	1	KNOB, TILT	3
	YA2-0286-000	E	2	WASHER	3,4
	YA2-0287-000	E	2	SHAFT, TILT CLAMP	3,4
	YA2-0288-000	E	1	WASHER	3
	YA2-0290-000	D	1	COVER, BACK	4
	YA2-0291-000	E	1	HOLDER, FLEX	3
	YA2-0295-000	E	2	SCREW, CROSS-RECESS, PH	4
	YA2-0299-000	E	1	SPRING, COIL	4
	YA2-0300-000	E	1	BARREL, LIGHT SHIELD	4
	YA2-0305-000	E	1	BARREL, LENS	2
	YA2-0306-000	D	1	RING, FRONT	1
	YA2-0307-000	E	1	COLLAR, ASSEMBLY	2
	YA2-0308-000	D	1	RING, BAFFLE	1
	YA2-0310-000	D	1	RING, RUBBER	1
	YA2-0317-000		8	SCREW, CROSS-RECESS, PH	1
	YA2-0324-000	E	1	WASHER, DUST SHIELD	2
	YG2-0016-000	D	1	POWER DIAPHRAGM UNIT	1
	YG2-0017-000	E	1	MAIN CBA	4
	YG9-0051-000	D	1	FOCUSING RING UNIT	1
	YH1-0038-000	E	1	MIF FLEX	4
	YN2-0121-000	E	1	LENS, G1	2
	YN2-0122-000	E	1	LENS, G2	2
	YN2-0123-000	E	1	LENS, G3	2
	YN2-0126-000	E	1	LENS, G6	2
	YP2-0125-000	E	1	LENS, G4/5	2

CANON TS-E 90 mm 1:2.8

