

Canon

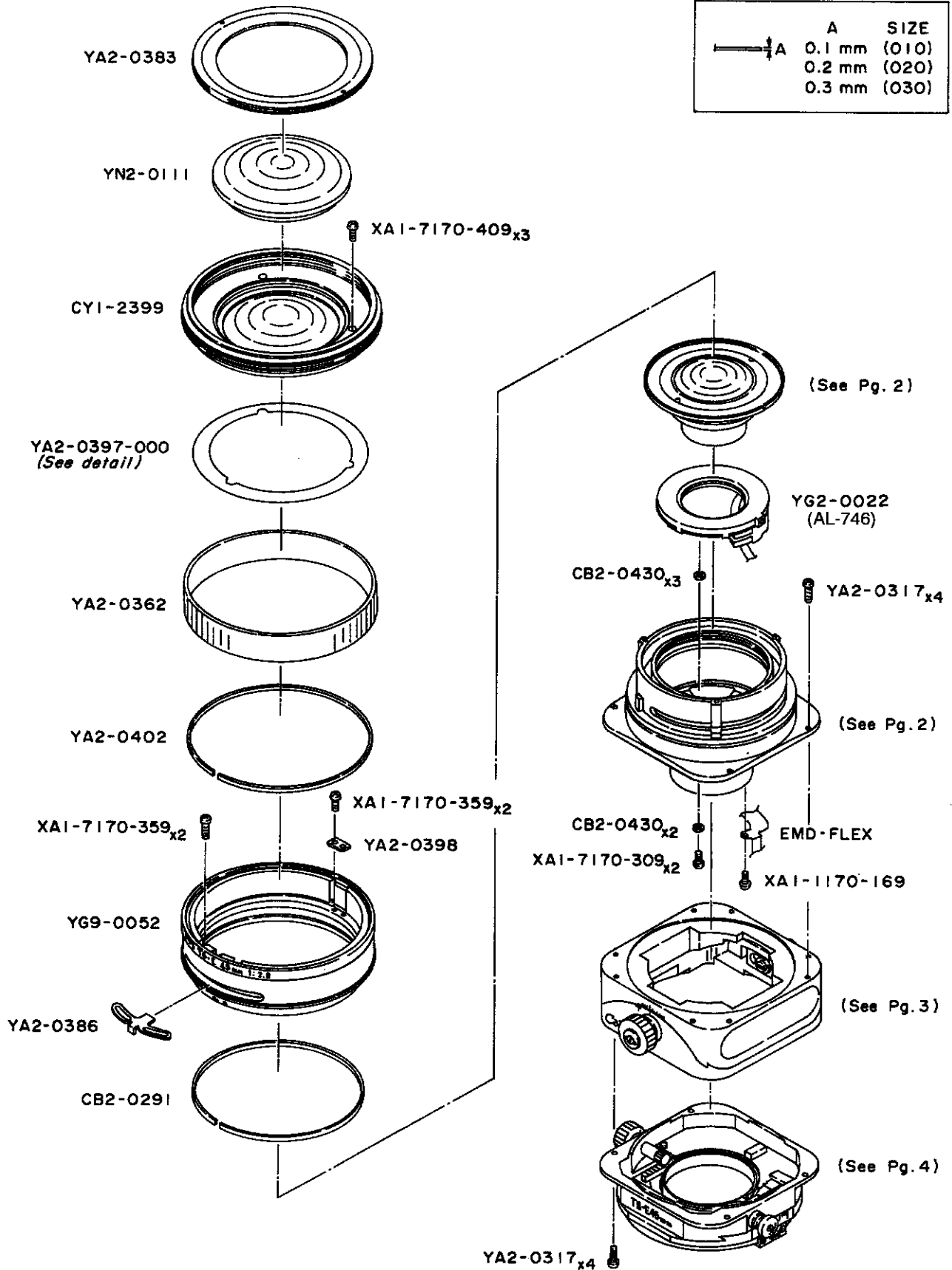
TS-E 45mm 1:2.8
REF.NO.C21-6231

PARTS
CATALOG

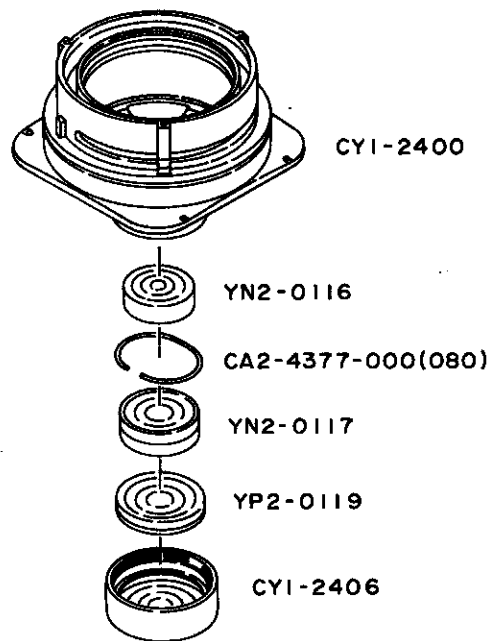
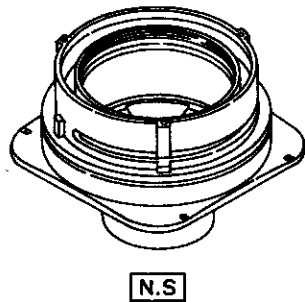
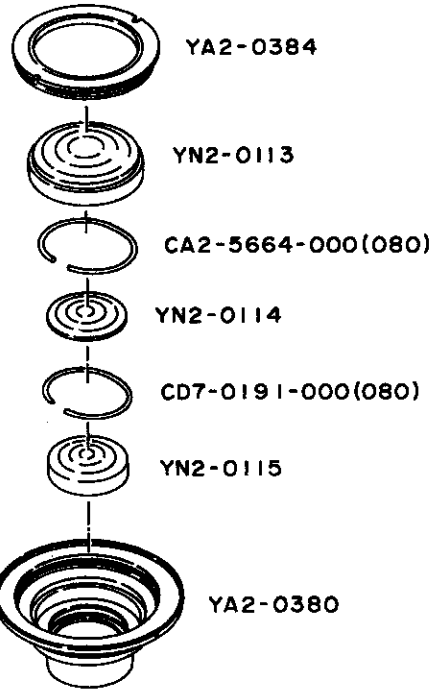
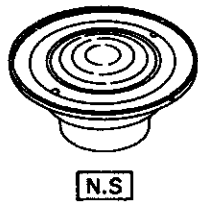
CANON TS-E 45 mm 1:2.8

YA2-0397-000 detail

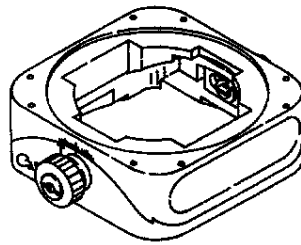
A	SIZE
0.1 mm (O10)	
0.2 mm (O20)	
0.3 mm (O30)	



CANON TS-E 45 mm 1:2.8

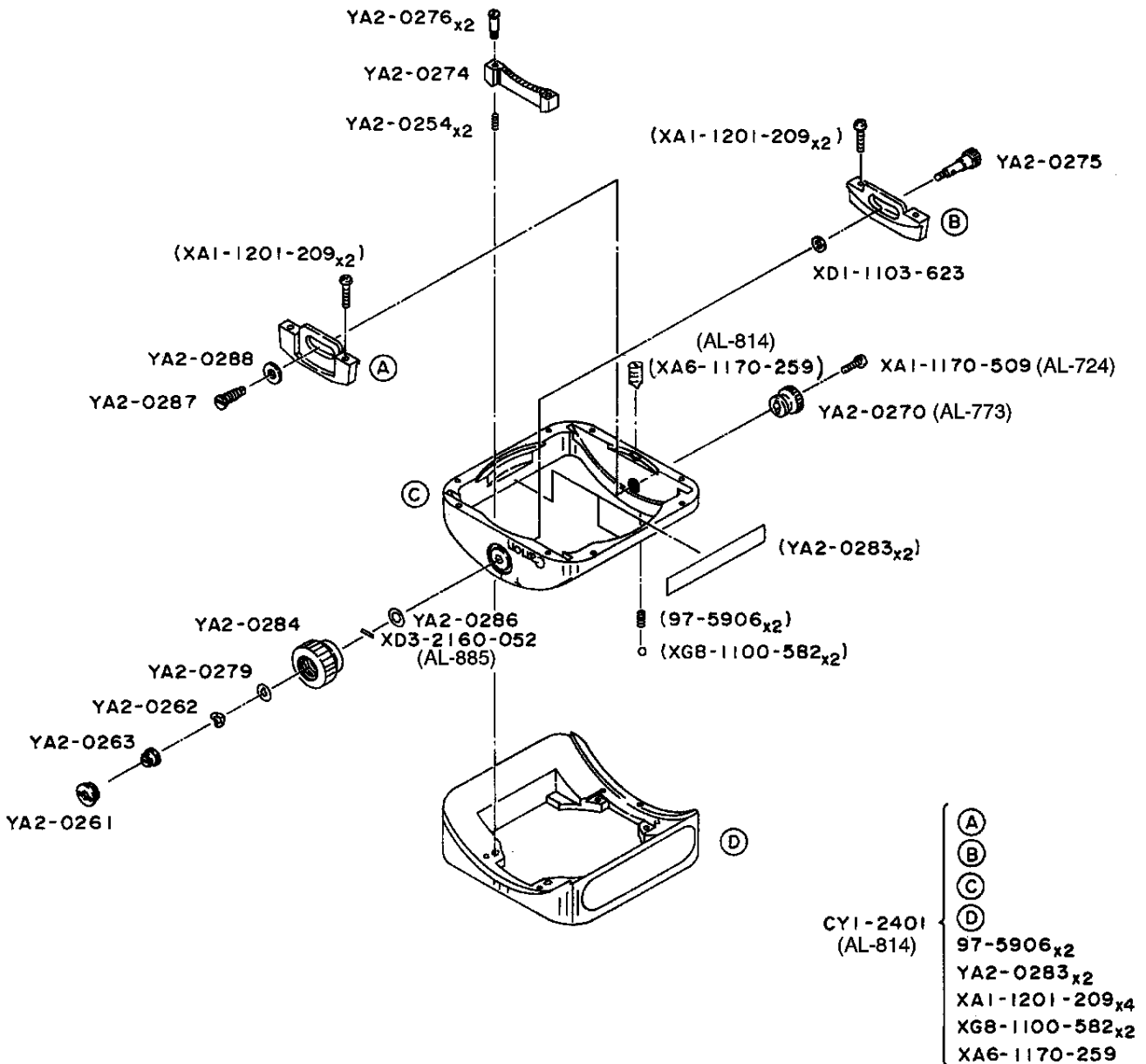


CANON TS-E 45 mm 1:2.8

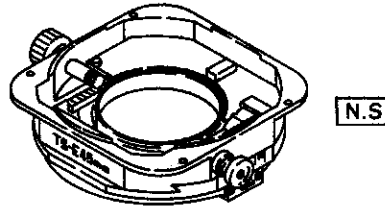


CY3-1057
(AL-031)

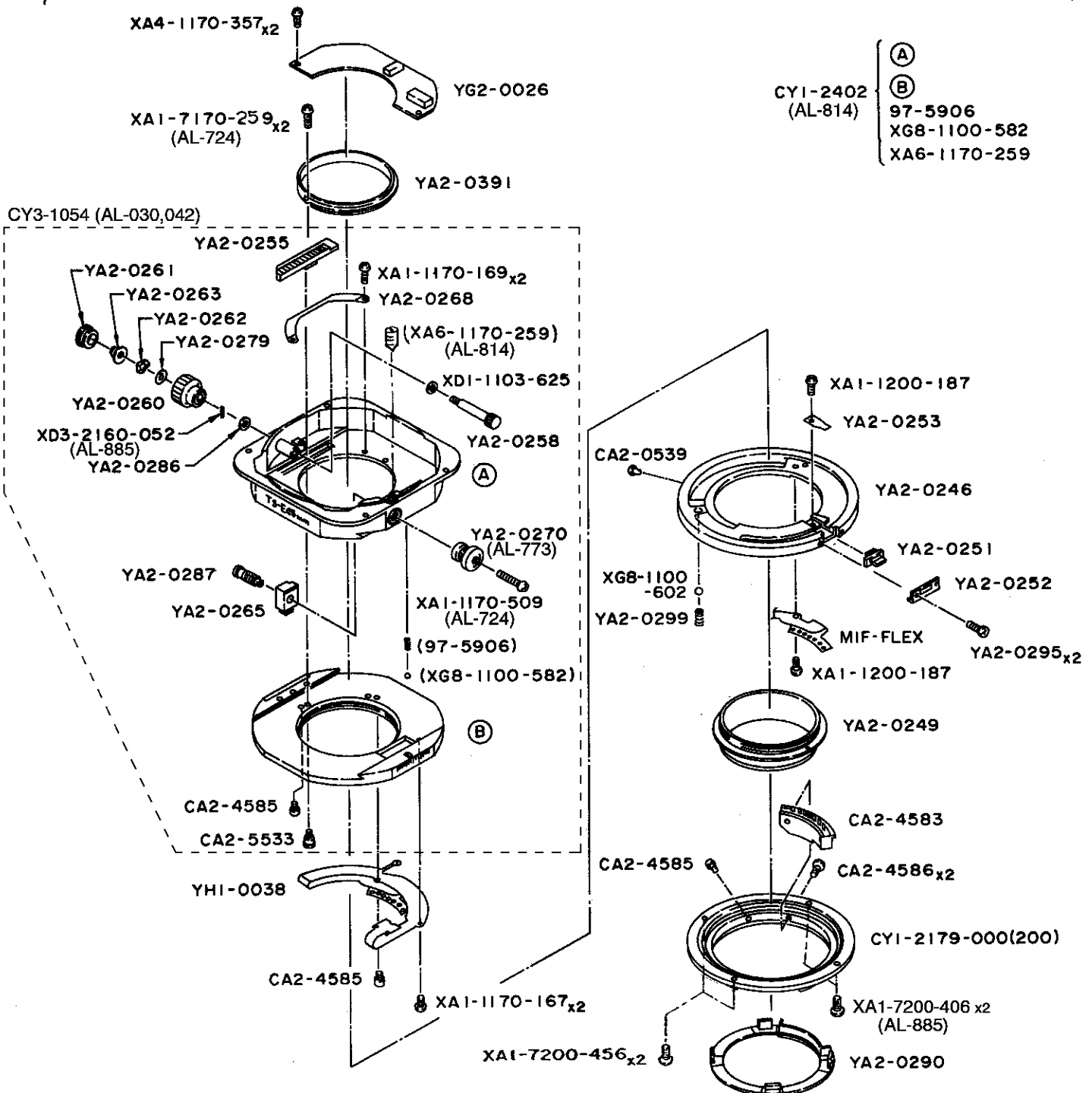
Rotated 180°



CANON TS-E 45 mm 1:2.8



N.S



PARTS LIST

REF.No.C21-6231

NEW	PART.NO.	CLASS	QTY	DESCRIPTION	PAGE
	97-5906-000	E	3	SPRING, COIL	3,4
	CA2-0539-000	E	1	RED MOUNTING INDEX	4
	CA2-4377-000 (080)	E	1	RING, SNAP	2
	CA2-4583-000	D	1	CONTACT ASS'Y	4
	CA2-4585-000	E	3	SCREW, MOUNT STOPPER	4
	CA2-4586-000	E	2	SCREW	4
	CA2-5533-000	E	1	STUD	4
	CA2-5664-000 (080)	E	1	RING, SNAP	2
	CB2-0291-000	E	1	SHIELD, DUST	1
	CB2-0430-000	E	5	COLLAR	1
	CD7-0191-000 (080)	E	1	RING, SNAP	2
	CY1-2179-000 (200)	E	1	MOUNT, LENS	4
	CY1-2399-000	E	1	LENS, G2 ASS'Y	1
	CY1-2400-000	E	1	HELICOID ASS'Y	2
	CY1-2401-000	E	1	TILTING MEMBER UNIT	3
	CY1-2402-000	E	1	SHIFT MEMBER UNIT	4
	CY1-2406-000	E	1	LENS G10 ASS'Y	2
	CY3-1054-000	E	1	SHIFT BASE ASS'Y	4
	CY3-1057-000	E	1	TILT BASE ASS'Y	3
	XA1-1170-167		2	SCREW PH1.7X1.6	4
	XA1-1170-169		3	SCREW, CROSS-RECESS, PH	1,4
	XA1-1170-509		2	SCREW, CROSS-RECESS, PH	3,4
	XA1-1200-187		2	SCREW, M2X1.8	4
	XA1-1201-209		4	SCREW	3
	XA1-7170-259		2	SCREW, CROSS-RECESS, PH	4
	XA1-7170-309		2	SCREW, CROSS-RECESS, PH	1
	XA1-7170-359		4	SCREW, CROSS-RECESS, PH	1
	XA1-7170-409		3	SCREW, CROSS-RECESS, PH	1
	XA1-7200-406		2	SCREW, CROSS-RECESS, PH	4
	XA1-7200-456		2	SCREW, CROSS-RECESS, PH	4
	XA4-1170-357		2	SCREW, CROSS-RECESS, PH	4
	XA6-1170-259		2	SETSCREW, SLOTTED, HLCP	3,4
	XD1-1103-623		1	WASHER	3
	XD1-1103-625		1	WASHER	4
	XD3-2160-052		2	PIN	3,4
	XG8-1100-582		3	BALL, STEEL	3,4
	XG8-1100-602		1	BALL, STEEL	4
	YA2-0246-000	E	1	SEAT, MOUNT	4
	YA2-0249-000	E	1	COLLAR, ASSEMBLY	4
	YA2-0251-000	E	1	STOPPER, REVOLVING	4
	YA2-0252-000	E	1	HOLDER, STOPPER	4
	YA2-0253-000	E	1	SPRING, PLATE	4
	YA2-0254-000	E	2	SPRING, COIL	3
	YA2-0255-000	E	1	PACK, SHIFT	4
	YA2-0258-000	E	1	PINION, SHIFT	4
	YA2-0260-000	D	1	KNOB, SHIFT	4
	YA2-0261-000	D	2	NUT, LOCK	3,4
	YA2-0262-000	E	2	WASHER, SPRING	3,4
	YA2-0263-000	D	2	COLLAR, ADJUSTING	3,4
	YA2-0265-000	E	1	CLAMP, SHIFT	4
	YA2-0268-000	E	1	SPRING, PLATE	4
	YA2-0270-000	D	2	KNOB, TILT CLAMP	3,4
	YA2-0274-000	E	1	RACK, TILT	3
	YA2-0275-000	E	1	PINION, TILT	3
	YA2-0276-000	E	2	SCREW, SHAFT	3

PARTS LIST

REF.No.C21-6231

NEW	PART.NO.	CLASS	QTY	DESCRIPTION	PAGE
	YA2-0279-000	E	2	WASHER	3,4
	YA2-0283-000	E	2	LIGHT SHIELD	3
	YA2-0284-000	D	1	KNOB, TILT	3
	YA2-0286-000	E	2	WASHER	3,4
	YA2-0287-000	E	2	SHAFT, TILT CLAMP	3,4
	YA2-0288-000	E	1	WASHER	3
	YA2-0290-000	D	1	COVER, BACK	4
	YA2-0295-000	E	2	SCREW, CROSS-RECESS, PH	4
	YA2-0299-000	E	1	SPRING, COIL	4
	YA2-0317-000		8	SCREW, CROSS-RECESS, PH	1
	YA2-0362-000	E	1	RING, RUBBER	1
	YA2-0380-000	E	1	BARREL, LENS	2
	YA2-0383-000	E	1	RING, BAFFLE	1
	YA2-0384-000	E	1	COLLAR, ASSEMBLY	2
	YA2-0386-000	E	1	KEY, FOCUSING	1
	YA2-0391-000	E	1	BARREL, LIGHT SHIELD	4
	YA2-0397-000 (010)	E	1	WASHER, ADJUSTING	1
	YA2-0397-000 (020)	E	1	WASHER, ADJUSTING	1
	YA2-0397-000 (030)	E	1	WASHER, ADJUSTING	1
	YA2-0398-000	E	1	STOPPER, FOCUSING	1
	YA2-0402-000	E	1	SHIELD, DUST	1
	YG2-0022-000	E	1	POWER DIAPHRAGM UNIT	1
	YG2-0026-000	E	1	MAIN CBA	4
	YG9-0052-000	E	1	FOCUSING RING UNIT	1
	YH1-0038-000	E	1	MIF FLEX	4
	YN2-0111-000	E	1	LENS,G1	1
	YN2-0113-000	E	1	LENS,G3	2
	YN2-0114-000	E	1	LENS,G4	2
	YN2-0115-000	E	1	LENS,G5	2
	YN2-0116-000	E	1	LENS,G6	2
	YN2-0117-000	E	1	LENS,G7	2
	YP2-0119-000	E	1	LENS,G8/9	2

CANON TS-E 45 mm 1:2.8

