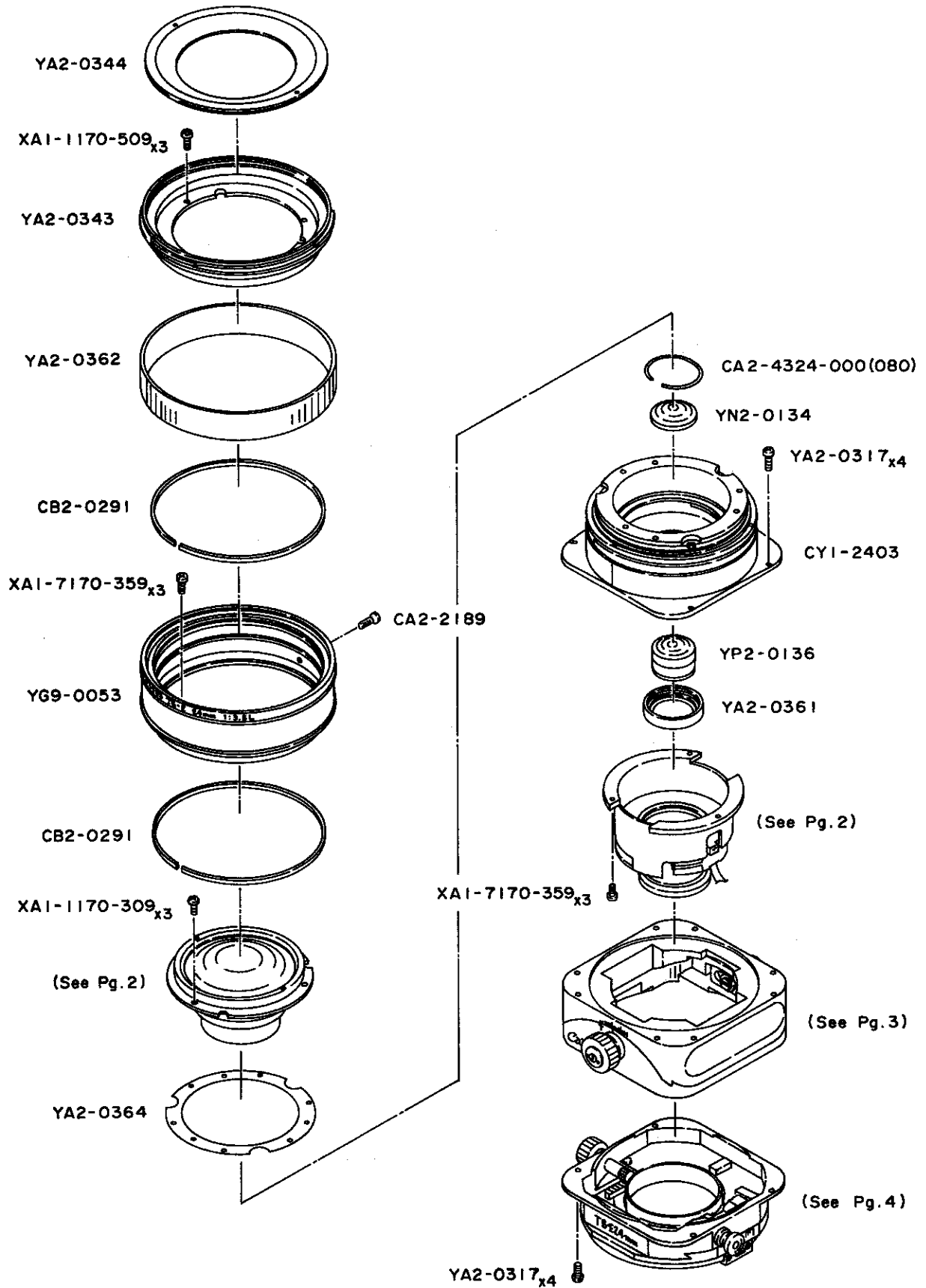


Canon

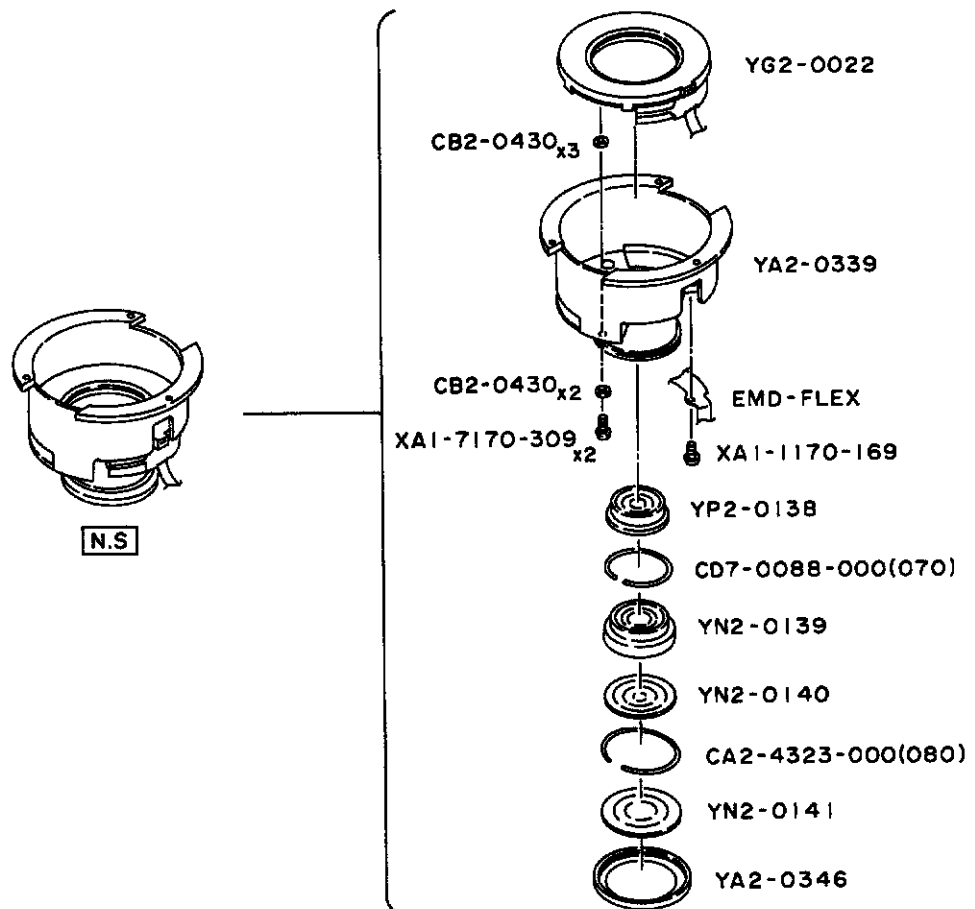
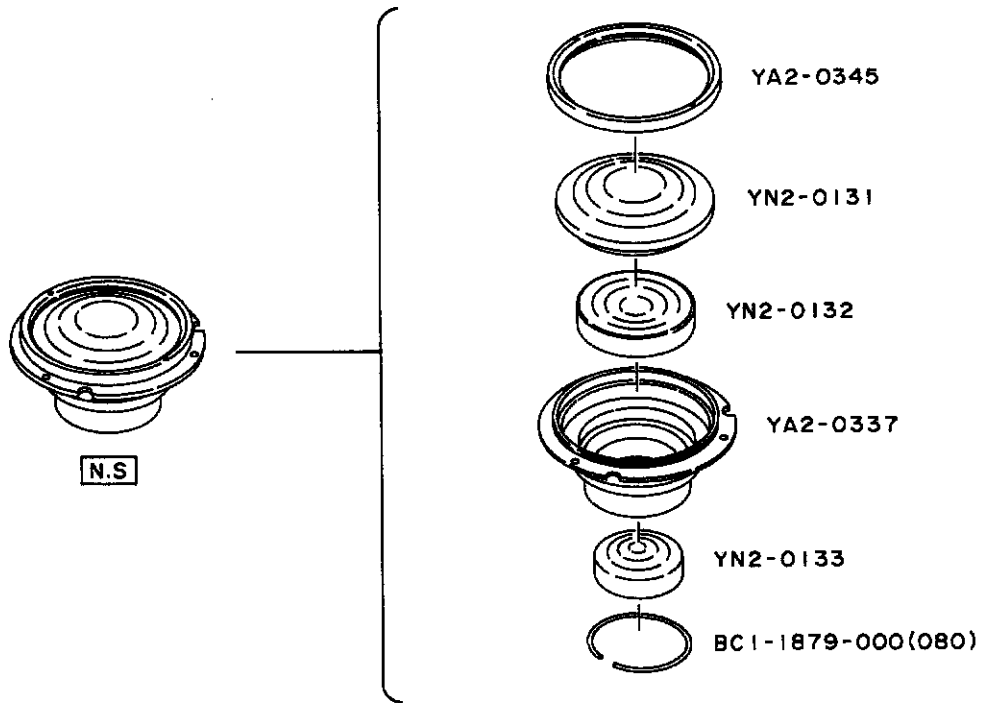
TS-E 24mm 1:3.5 L
REF.NO.C21-5321

PARTS
CATALOG

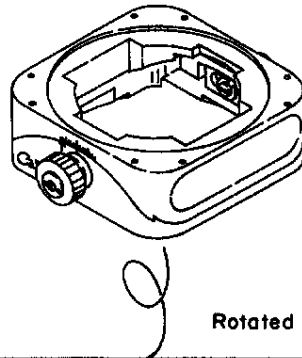
CANON TS-E 24 mm 1:3.5L



CANON TS-E 24 mm 1:3.5L

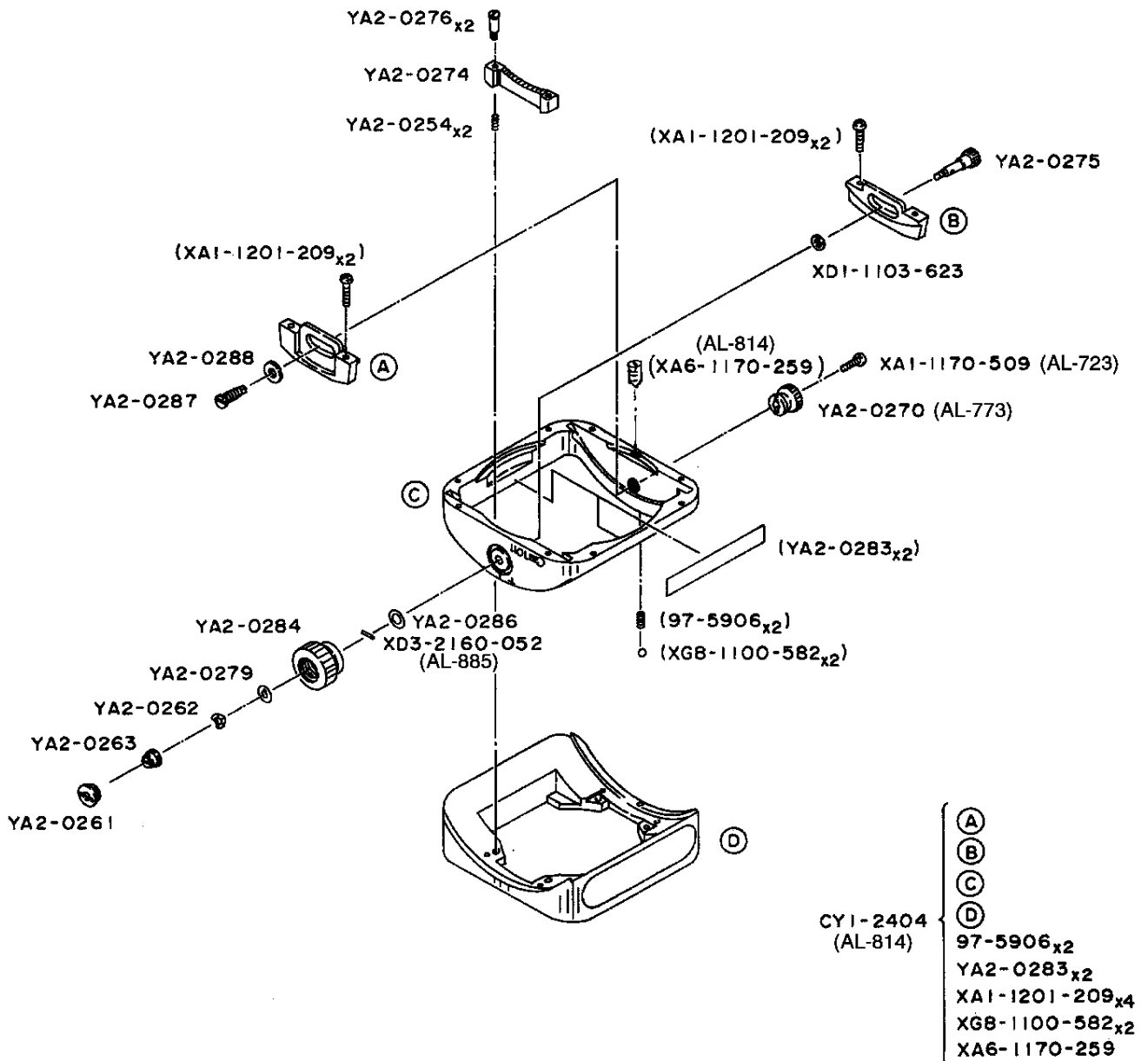


CANON TS-E 24 mm 1:3.5L

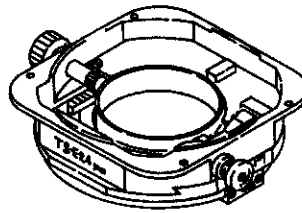


CY3-1056
(AL-031)

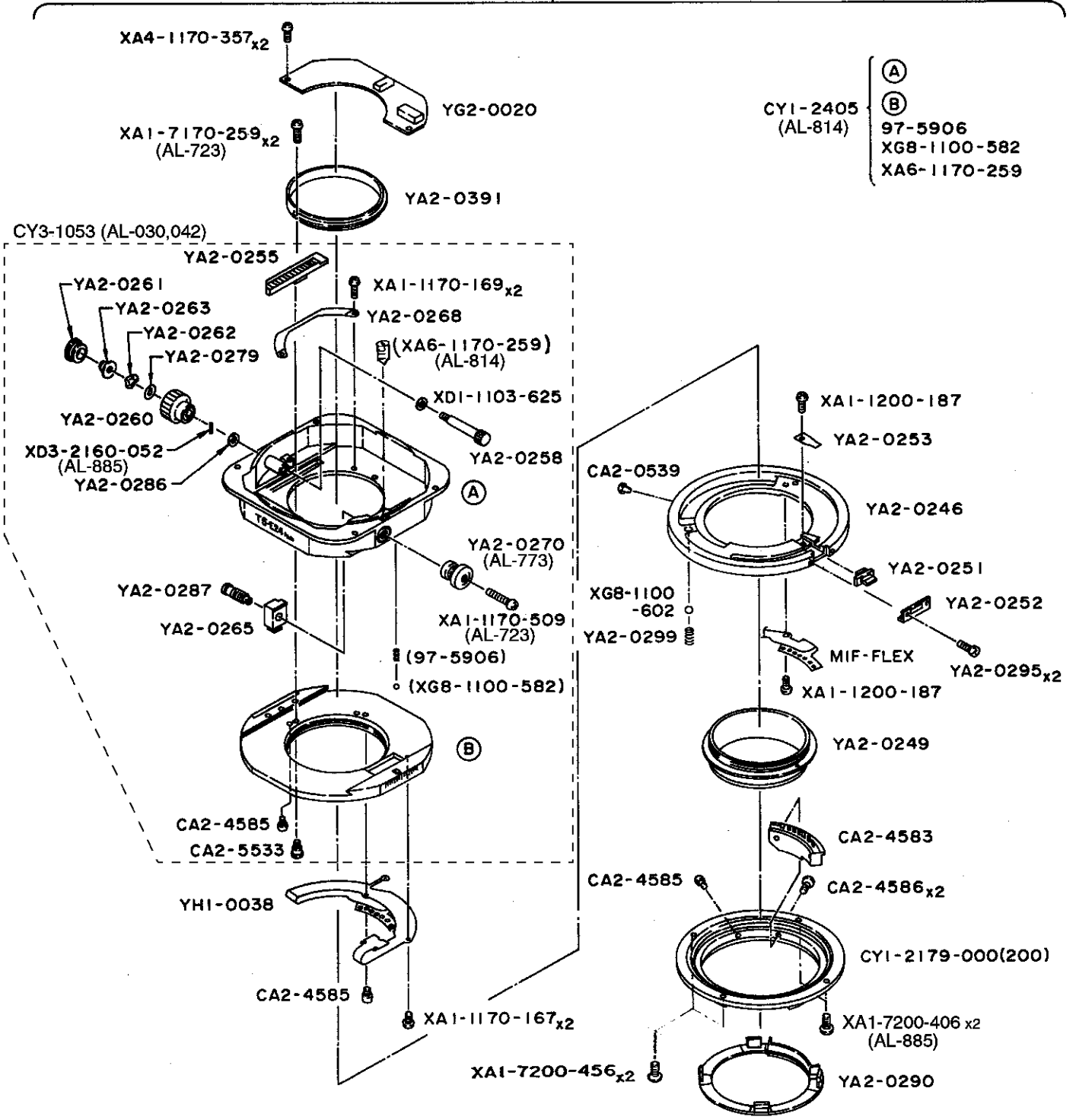
Rotated 180°



CANON TS-E 24 mm 1:3.5L



N.S



PARTS LIST

REF.No.C21-5321

NEW	PART.NO.	CLASS	QTY	DESCRIPTION	PAGE
	97-5906-000	E	3	SPRING, COIL	3,4
	BC1-1879-000 (080)	E	1	RING, SNAP	2
	CA2-0539-000	E	1	RED MOUNTING INDEX	4
	CA2-2189-000	E	1	STOPPER	1
	CA2-4323-000 (080)	E	1	RING, SNAP	2
	CA2-4324-000 (080)	E	1	RING, SNAP	1
	CA2-4583-000	D	1	CONTACT ASS'Y	4
	CA2-4585-000	E	3	SCREW, MOUNT STOPPER	4
	CA2-4586-000	E	2	SCREW	4
	CA2-5533-000	E	1	STUD	4
	CB2-0291-000	E	2	SHIELD, DUST	1
	CB2-0430-000	E	5	COLLAR	2
	CD7-0088-000 (070)	E	1	RING, SNAP	2
	CY1-2179-000 (200)	E	1	MOUNT, LENS	4
	CY1-2403-000	E	1	HELICOID ASS'Y	1
	CY1-2404-000	E	1	TILTING MEMBER UNIT	3
	CY1-2405-000	E	1	SHIFT MEMBER UNIT	4
	CY3-1053-000	E	1	SHIFT BASE ASS'Y	4
	CY3-1056-000	E	1	TILT BASE ASS'Y	3
	XA1-1170-167		2	SCREW PH1.7X1.6	4
	XA1-1170-169		3	SCREW, CROSS-RECESS, PH	2,4
	XA1-1170-309		3	SCREW, CROSS-RECESS, PH	1
	XA1-1170-509		5	SCREW, CROSS-RECESS, PH	1,3,4
	XA1-1200-187		2	SCREW, M2 X1.8	4
	XA1-1201-209		4	SCREW	3
	XA1-7170-259		2	SCREW	4
	XA1-7170-309		2	SCREW, CROSS-RECESS, PH	2
	XA1-7170-359		6	SCREW, CROSS-RECESS, PH	1
	XA1-7200-406		2	SCREW, CROSS-RECESS, PH	4
	XA1-7200-456		2	SCREW, CROSS-RECESS, PH	4
	XA4-1170-357		2	SCREW, CROSS-RECESS, PH	4
	XA6-1170-259		2	SETSCREW, SLOTTED, HLCP	3,4
	XD1-1103-623		1	WASHER	3
	XD1-1103-625		1	WASHER	4
	XD3-2160-052		2	PIN	3,4
	XG8-1100-582		3	BALL, STEEL	3,4
	XG8-1100-602		1	BALL, STEEL	4
	YA2-0246-000	E	1	SEAT, MOUNT	4
	YA2-0249-000	E	1	COLLAR, ASSEMBLY	4
	YA2-0251-000	E	1	STOPPER, REVOLVING	4
	YA2-0252-000	E	1	HOLDER, STOPPER	4
	YA2-0253-000	E	1	SPRING, PLATE	4
	YA2-0254-000	E	2	SPRING, COIL	3
	YA2-0255-000	E	1	RACK, SHIFT	4
	YA2-0258-000	E	1	PINION, SHIFT	4
	YA2-0260-000	D	1	KNOB, SHIFT	4
	YA2-0261-000	D	2	NUT, LOCK	3,4
	YA2-0262-000	E	2	WASHER, SPRING	3,4
	YA2-0263-000	D	2	COLLAR, ADJUSTING	3,4
	YA2-0265-000	E	1	CLAMP, SHIFT	4
	YA2-0268-000	E	1	SPRING, PLATE	4
	YA2-0270-000	D	2	KNOB, TILT CLAMP	3,4
	YA2-0274-000	E	1	RACK, TILT	3
	YA2-0275-000	E	1	PINION, TILT	3
	YA2-0276-000	E	2	SCREW, SHAFT	3

PARTS LIST

REF.No.C21-5321

NEW	PART.NO.	CLASS	QTY	DESCRIPTION	PAGE
	YA2-0279-000	E	2	WASHER	3,4
	YA2-0283-000	E	2	LIGHT SHIELD	3
	YA2-0284-000	D	1	KNOB, TILT	3
	YA2-0286-000	E	2	WASHER	3,4
	YA2-0287-000	E	2	SHAFT, TILT CLAMP	3,4
	YA2-0288-000	E	1	WASHER	3
	YA2-0290-000	D	1	COVER, BACK	4
	YA2-0295-000	E	2	SCREW, CROSS-RECESS, PH	4
	YA2-0299-000	E	1	SPRING, COIL	4
	YA2-0317-000		8	SCREW, CROSS-RECESS, PH	1
	YA2-0337-000	E	1	BARREL, LENS	2
	YA2-0339-000	E	1	BARREL, LENS	2
	YA2-0343-000	D	1	RING, FRONT	1
	YA2-0344-000	D	1	RING, BAFFLE	1
	YA2-0345-000	E	1	COLLAR, ASSEMBLY	2
	YA2-0346-000	E	1	COLLAR, ASSEMBLY	2
	YA2-0361-000	E	1	COLLAR, ASSEMBLY	1
	YA2-0362-000	E	1	RING, RUBBER	1
	YA2-0364-000	E	1	WASHER, ADJUSTING	1
	YA2-0391-000	E	1	BARREL, LIGHT SHIELD	4
	YG2-0020-000	E	1	MAIN CBA	4
	YG2-0022-000	D	1	POWER DIAPHRAGM UNIT	2
	YG9-0053-000	D	1	FOCUSING RING UNIT	1
	YH1-0038-000	E	1	MIF FLEX	4
	YN2-0131-000	E	1	LENS, G1	2
	YN2-0132-000	E	1	LENS, G2	2
	YN2-0133-000	E	1	LENS, G3	2
	YN2-0134-000	E	1	LENS, G4	1
	YN2-0139-000	E	1	LENS, G9	2
	YN2-0140-000	E	1	LENS, G10	2
	YN2-0141-000	E	1	LENS, G11	2
	YP2-0136-000	E	1	LENS, G5/6	1
	YP2-0138-000	E	1	LENS, G7/8	2

CANON TS-E 24 mm 1:3.5L

