

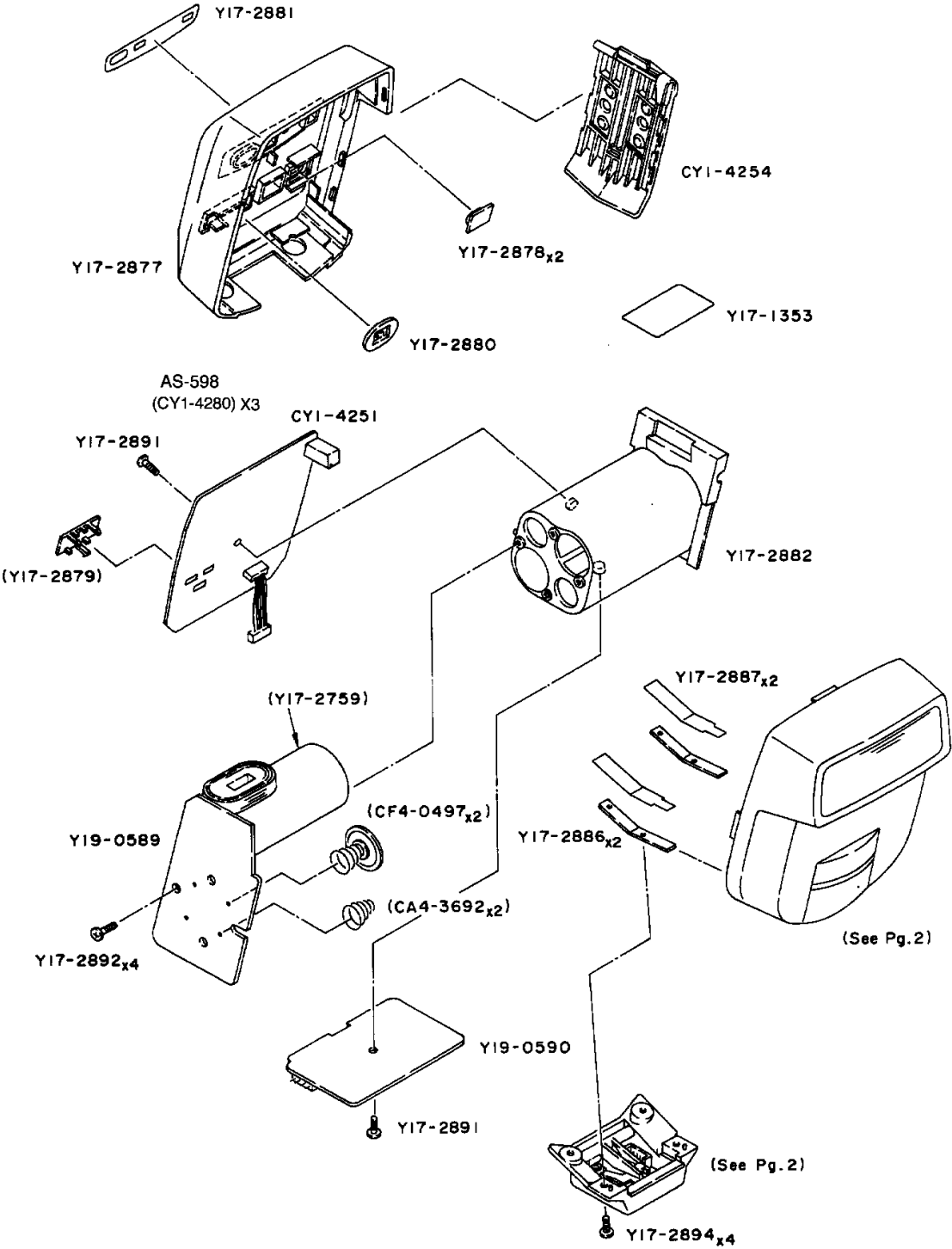
Canon

SPEEDLITE 220EX

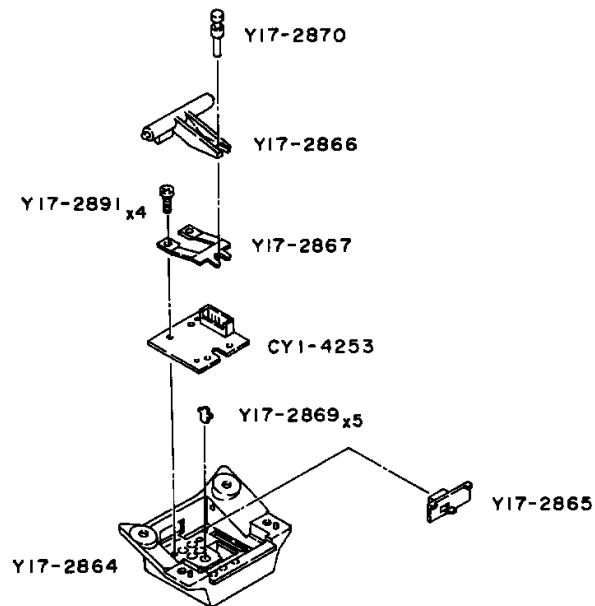
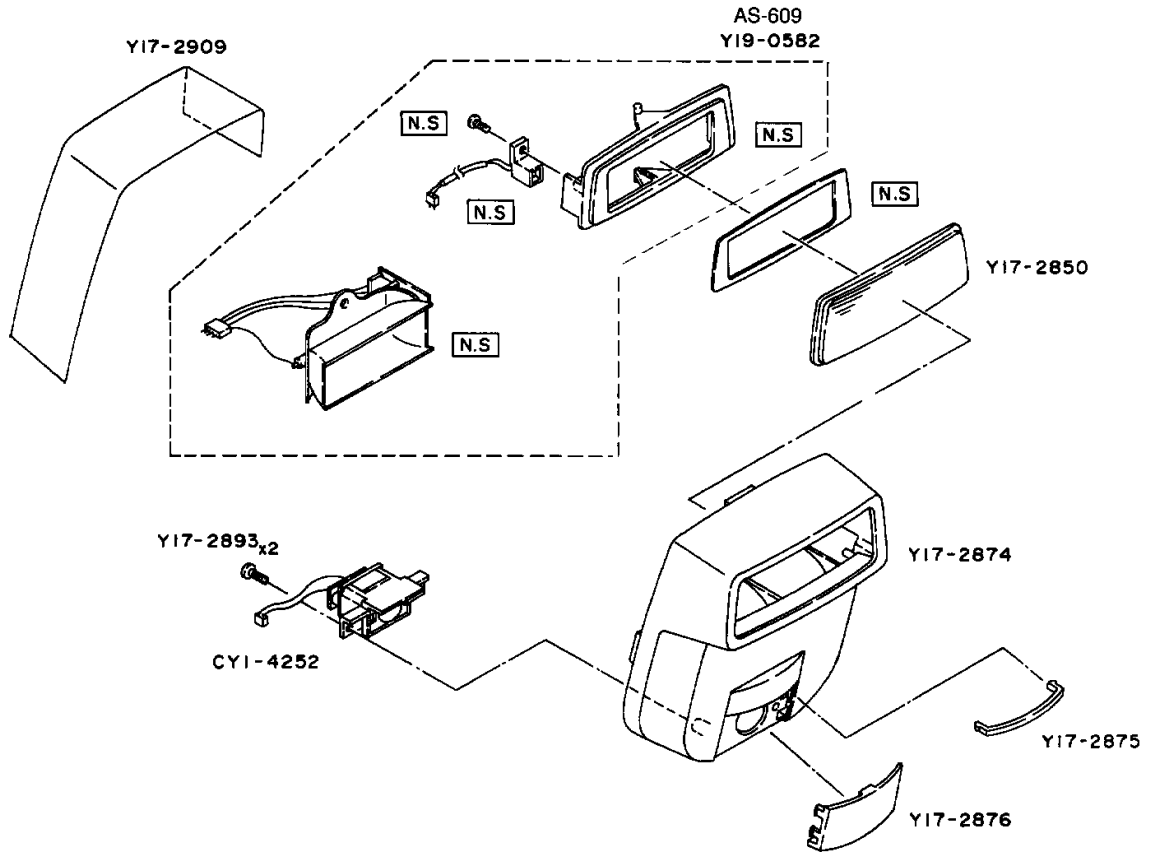
C50-0741

**PARTS
CATALOG**

CANON SPEEDLITE 220 EX



CANON SPEEDLITE 220 EX



PARTS LIST

REF.NO.C50-0741

Report.No.	NEW	PARTS NO.	CLASS	QTY	DESCRIPTION	PAGE
		CA4-3692-000	D	2	CONTACT, BATTERY	1
		CF4-0497-000	D	2	CONTACT, ASS'Y, BATTERY	1
		CY1-4251-000	D	1	PCB ASS'Y(A)	1
		CY1-4252-000	D	1	AF LED UNIT	2
		CY1-4253-000	D	1	PCB ASS'Y(E)	2
AS-598		CY1-4254-000	D	1	COVER ASS'Y, BATTERY	1
		CY1-4280-000	E	3	LED	1
		Y17-1353-000	E	1	STICKER, BATTERY	1
		Y17-2759-000	D	1	CAPACITOR, AL-EL MAIN	1
		Y17-2850-000	D	1	PANEL, FRESNEL	2
		Y17-2864-000	D	1	CASE, SHOE	2
		Y17-2865-000	D	1	KNOB, SWITCH	2
		Y17-2866-000	E	1	ARM, LOCK	2
		Y17-2867-000	E	1	LEVER, LOCK	2
		Y17-2869-000	E	5	PIN, CONTACT	2
		Y17-2870-000	E	1	PIN, LOCK	2
		Y17-2874-000	D	1	COVER, FRONT	2
		Y17-2875-000	D	1	COVER, SILVER	2
		Y17-2876-000	C	1	PANEL, AF LED	2
		Y17-2877-000	D	1	COVER, REAR	1
		Y17-2878-000	D	2	GLASS, REAR	1
		Y17-2879-000	D	1	KNOB, MAIN SWITCH	1
		Y17-2880-000	D	1	BOTTON, SELECT	1
		Y17-2881-000	D	1	PLATE, REAR	1
		Y17-2882-000	E	1	CASE, BATTERY	1
		Y17-2886-000	D	2	PLATE, HOLD	1
		Y17-2887-000	D	2	INSULATOR	1
		Y17-2891-000		6	SCREW	2
		Y17-2892-000		4	SCREW	1
		Y17-2893-000		2	SCREW	2
		Y17-2894-000		4	SCREW	1
AS-609		Y17-2909-000	D	1	INSULATOR	2
		Y19-0582-000	C	1	FLASH ASS'Y	2
		Y19-0589-000	D	1	PCB ASS'Y(B)	1
		Y19-0590-000	D	1	PCB ASS'Y(C)	1