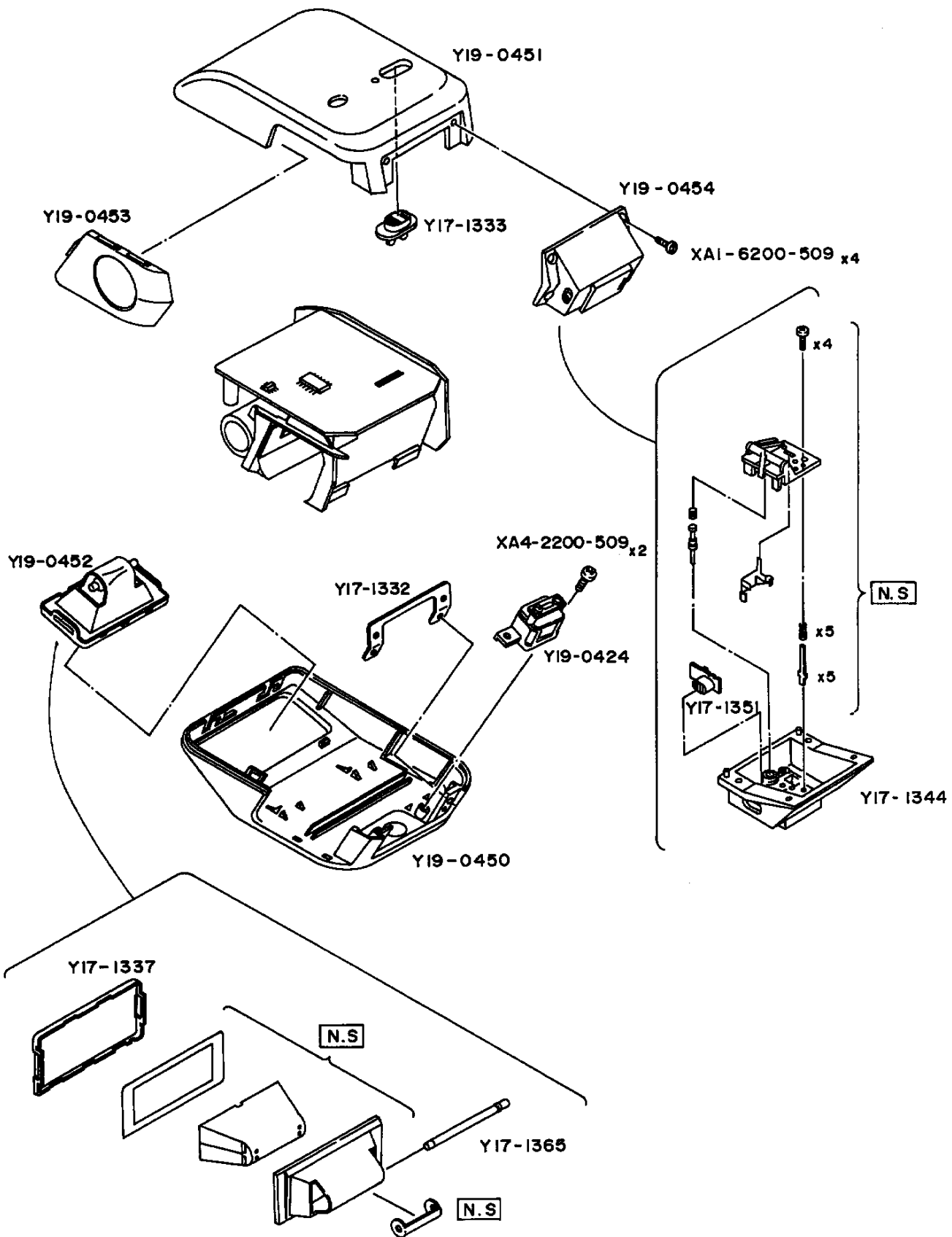


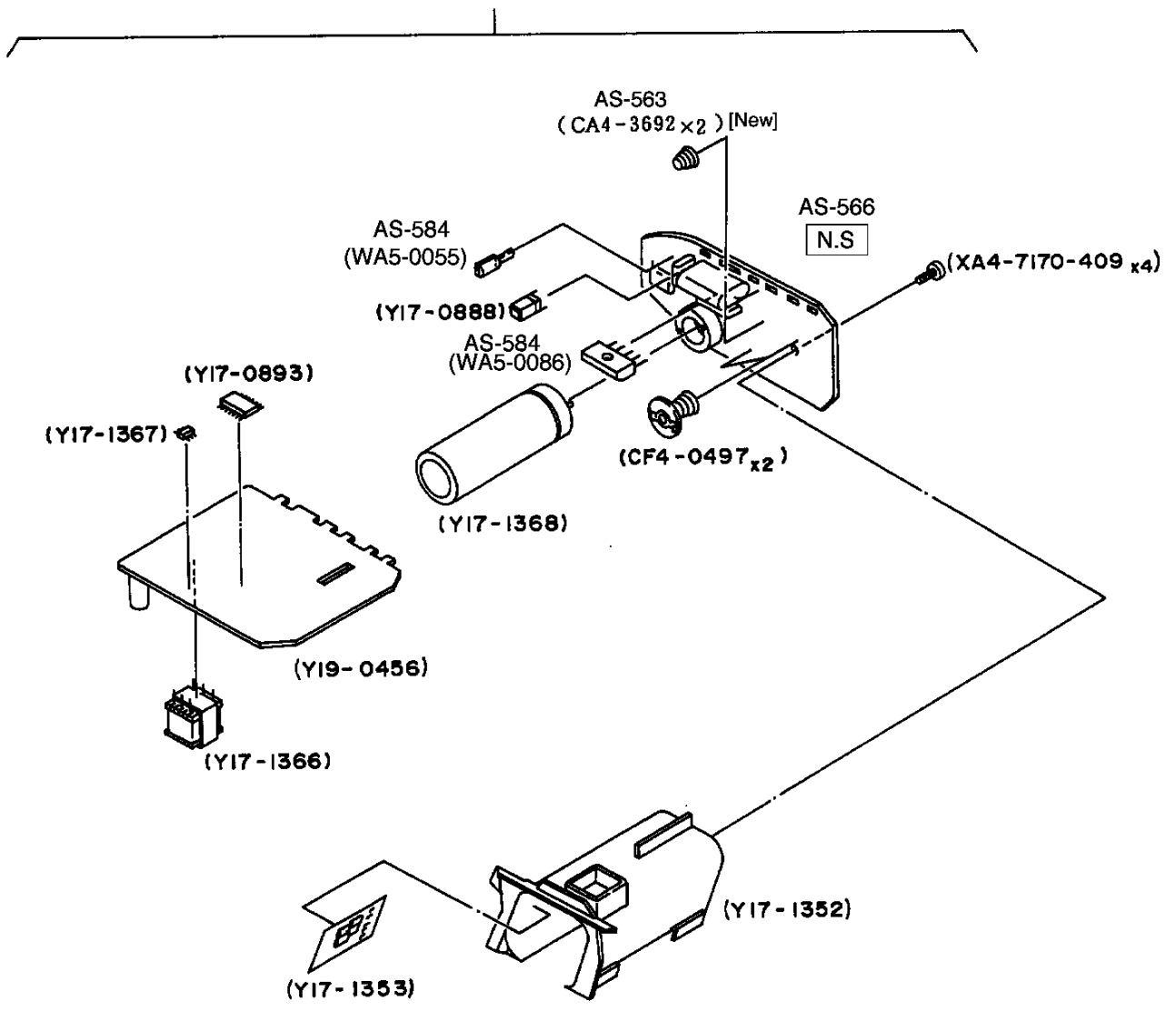
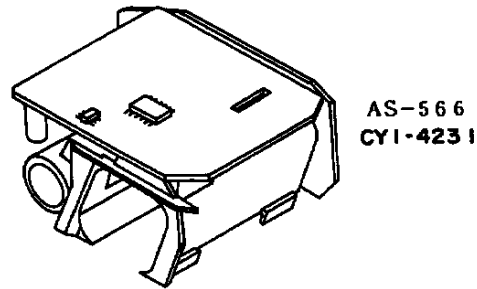
Canon

SPEEDLITE 200E

C50-0691

**PARTS
CATALOG**





PARTS LIST

REF.NO.C50-0691

Report.No.	NEW	PARTS NO.	CLASS	QTY	DESCRIPTION	PAGE
AS-563		CA4-3692-000 (New)	D	2	CONTACT, BATTERY(-)	2
		CF4-0497-000	C	2	BATTERY CONTACT ASS'Y	2
AS-566		CY1-4231-000	D	1	BATTERY CBA	2
AS-584		WA5-0055-000	E	1	THYRISTOR 1	2
AS-584		WA5-0086-000	E	1	THYRISTOR 2	2
		XA1-6200-509		4	SCREW	1
		XA4-2200-509		2	SCREW	1
		XA4-7170-409		4	SCREW	2
		Y17-0888-000	E	1	TRANS(T2)	1
		Y17-0893-000	D	1	IC3	2
		Y17-1332-000	E	1	PLATE, BASE	1
		Y17-1333-000	E	1	SWITCH, KNOB	1
		Y17-1337-000	D	1	PANEL, DIFFUSION	1
		Y17-1344-000	C	1	SHOE	1
		Y17-1351-000	E	1	BUTTON, LOCK	1
		Y17-1352-000	D	1	BOX, BATTERY	2
		Y17-1353-000	D	1	SEAL, BATTERY INDEX	2
		Y17-1365-000	D	1	LAMP, XENON	1
		Y17-1366-000	E	1	TRANS(T1)	2
		Y17-1367-000	E	1	IC1	2
		Y17-1368-000	E	1	CAPACITOR, MAIN	2
		Y19-0424-000	C	1	AF LED UNIT	2
		Y19-0450-000	E	1	FRONT COVER ASS'Y	1
		Y19-0451-000	E	1	REAR COVER ASS'Y	1
		Y19-0452-000	C	1	FLASH UNIT	1
		Y19-0453-000	D	1	COVER, BATTERY	1
		Y19-0454-000	E	1	SHOE ASS'Y	1
		Y19-0456-000	E	1	MAIN CBA	2