

CHAPTER 4. PARTS CATALOG

CONTENTS

PowerShot S50	
Casing Parts	Pg1
Internal Parts-1	Pg2
Internal Parts-2	Pg3
Accessories-1	Pg4
Accessories-2	Pg5
Accessories-3	Pg6
Service Tools-1	Pg7
Service Tools-2	Pg8

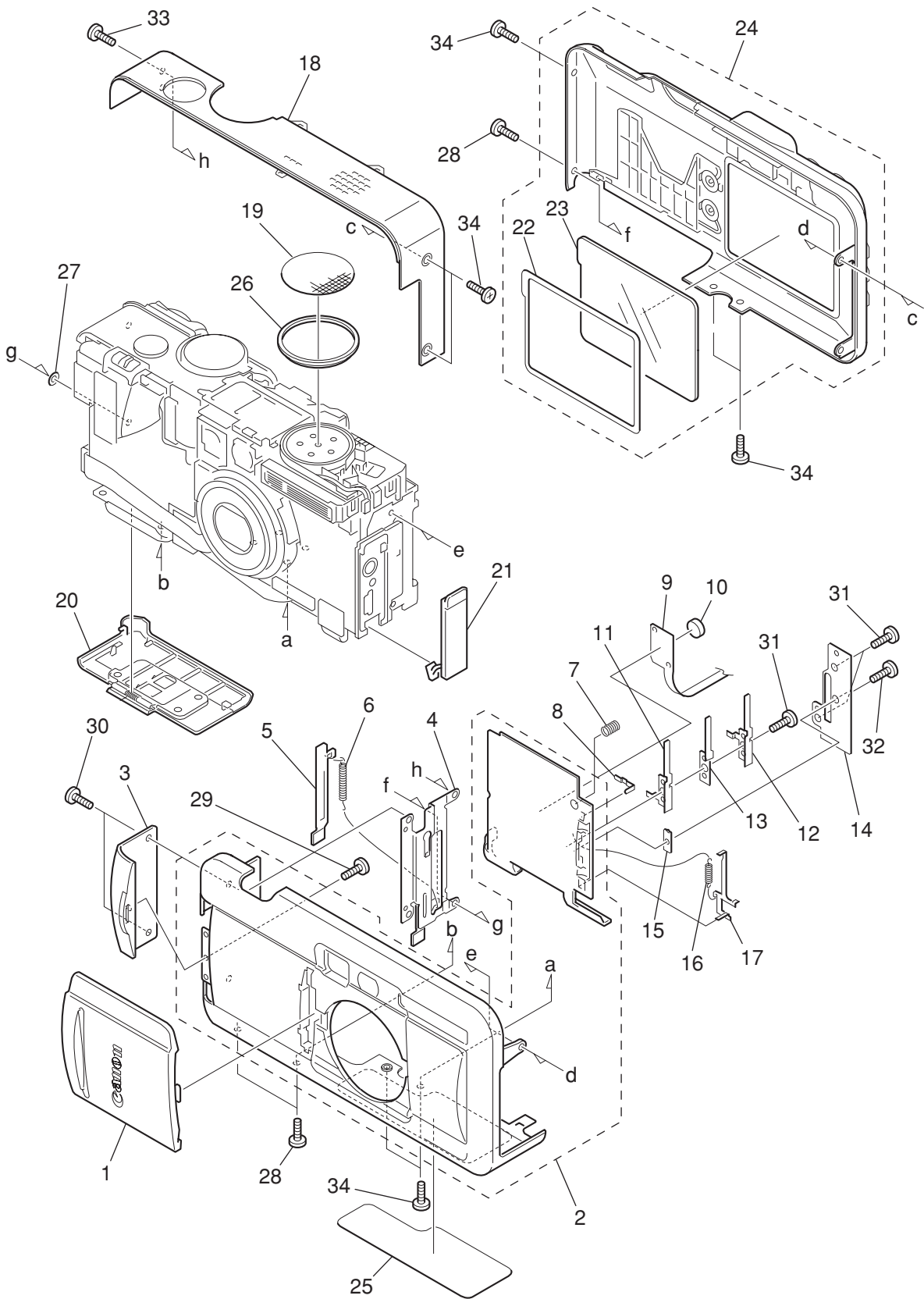
CLASS凡例

- A: 使用頻度 高
- B: 使用頻度 中
- C: 使用頻度 低
- D: 安全規格部品
- E: 消耗部品
- F: 標準ネジ、ワッシャー
- S: 供給制限品
- Y: サービス工具

Category of CLASS

- A: Frequency of use: High
- B: Frequency of use: Middle
- C: Frequency of use: Low
- D: Safety-related critical parts
- E: Consumable parts
- F: Standard screws and washers
- S: Supply of the parts is limited
- Y: Service Tools

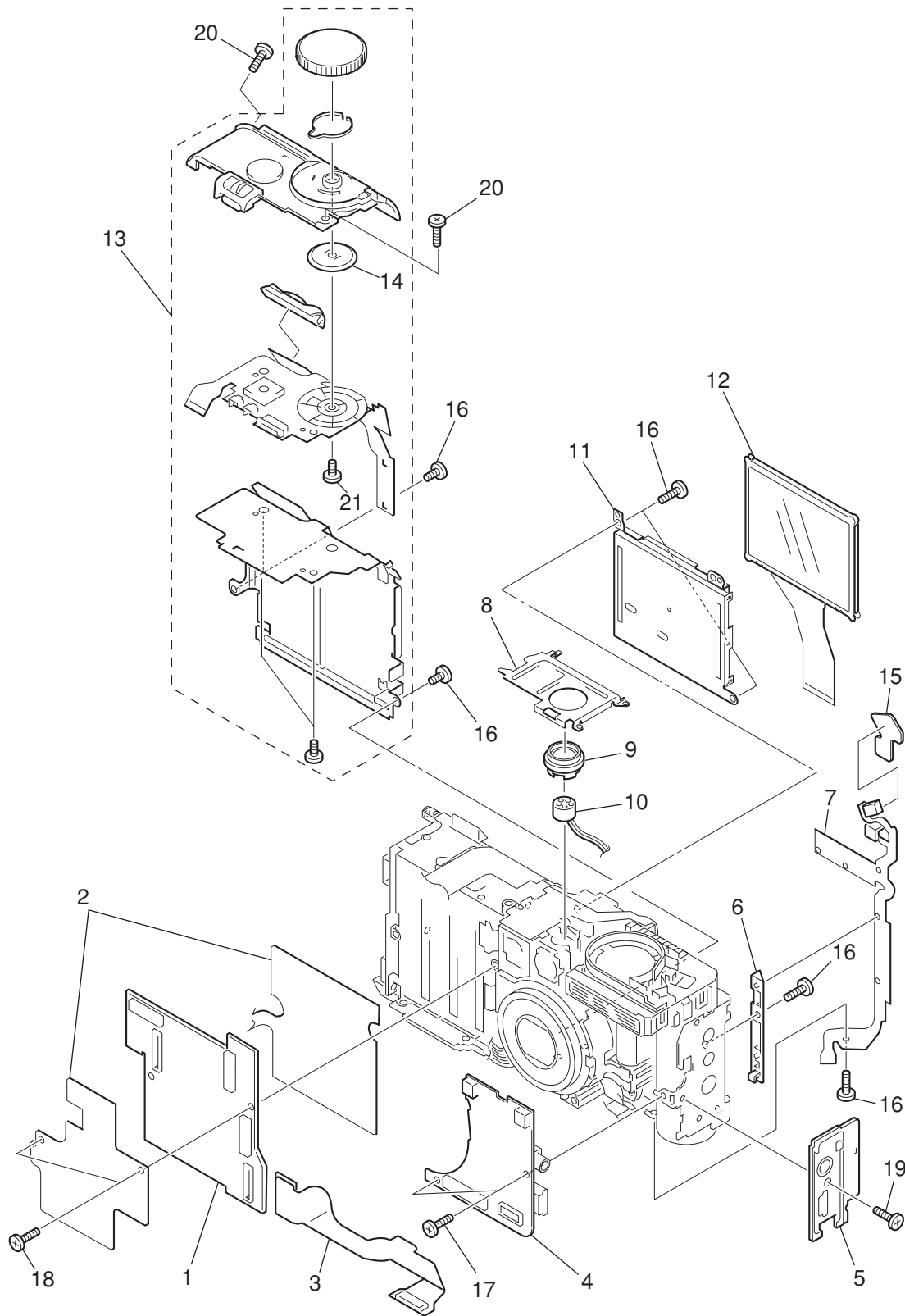
Casing Parts



PARTS LIST

SYMBOL	PARTS NO.	CLASS	QTY	DESCRIPTION	REMARKS
1	CM1-1592-000	B	1	BARRIER UNIT	SILVER
	CM1-1579-000	B	1	BARRIER UNIT	BLACK
2	CM1-1591-000	B	1	FRONT COVER UNIT	SILVER
	CM1-1578-000	B	1	FRONT COVER UNIT	BLACK
3	CD1-4980-000	B	1	BASE, STRAP	SILVER
	CD1-4953-000	B	1	BASE, STRAP	BLACK
4	CD1-3919-000	C	1	PLATE, LEFT	
5	CD1-4977-000	B	1	BARRIER, DC	SILVER
	CD1-4950-000	B	1	BARRIER, DC	BLACK
6	CS8-5250-000	C	1	SPRING, DC BARRIER	
7	CS8-5252-000	C	1	SPRING, FRONT GRAND	
8	CD1-3920-000	C	1	PIN, BAR DETECT	
9	CM1-1211-000	C	1	BARRIER FPC UNIT	
10	WK1-5140-000	C	1	BATTERY, LITHIUM (2ND)	
11	CD1-3921-000	C	1	PLATE, BAR DETECT 1	
12	CD1-3922-000	C	1	PLATE, BAR DETECT 2	
13	CD1-3923-000	C	1	SPACER, BAR E	
14	CD1-3912-000	C	1	PLATE, BAR PLANE	
15	CD1-3911-000	C	1	SPACER, BAR	
16	CS8-5251-000	C	1	SPRING, BAR LOCK LEV	
17	CD1-3913-000	C	1	PLATE, BAR LOCK	
18	CM1-1595-000	B	1	TOP COVER UNIT	SILVER
	CM1-1583-000	B	1	TOP COVER UNIT	BLACK
19	CD1-3964-010	C	1	SHEET, SPEAKER	
20	CM1-1593-000	B	1	BOTTOM LID UNIT	SILVER
	CM1-1580-000	B	1	BOTTOM LID UNIT	BLACK
21	CD1-4976-000	B	1	COVER, JACK	SILVER
	CD1-4949-000	B	1	COVER, JACK	BLACK
22	CD1-3938-000	C	1	SPACER, LCD	
23	CD1-3906-010	B	1	WINDOW, LCD	
24	CM1-1594-000	B	1	REAR COVER UNIT	SILVER
	CM1-1582-000	B	1	REAR COVER UNIT	BLACK
25	CY1-6253-000	B	1	PLATE, BODY NUMBER (J)	SILVER (FOR JAPAN) #13111xxxxx
	CY1-6254-000	B	1	PLATE, BODY NUMBER (N)	SILVER (FOR USA/CANADA) #13211xxxxx
	CY1-6255-000	B	1	PLATE, BODY NUMBER (E)	SILVER (FOR EUROPE) #13311xxxxx
	CY1-6257-000	B	1	PLATE, BODY NUMBER (N)	BLACK (FOR USA/CANADA) #13211xxxxx
26	CD1-3908-000	C	1	BUSH, SPEAKER	
27	CD1-4992-000	C	1	WASHER	
28	CD1-4046-000	C	3	SCREW	SILVER
	CD1-4958-000	C	3	SCREW	BLACK
29	XA1-7170-257	F	1	SCREW	
30	CD1-4045-000	C	2	SCREW	
31	XA4-9140-307	F	3	SCREW	
32	XA1-7140-287	F	1	SCREW	
33	XA4-9170-359	F	1	SCREW	
34	CD1-4045-000	C	7	SCREW	SILVER
	CD1-4957-000	C	7	SCREW	BLACK

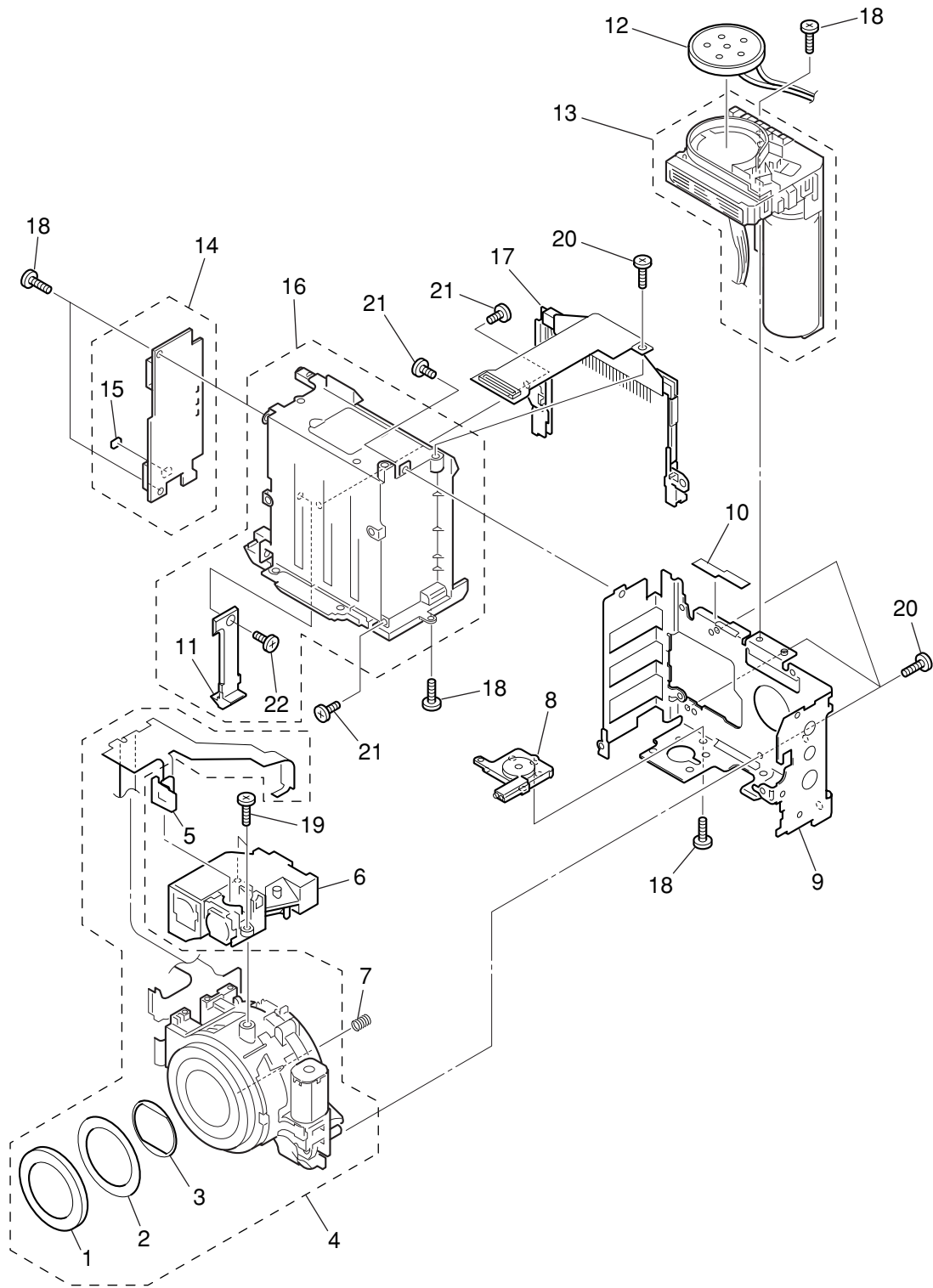
Internal Parts-1



PARTS LIST

SYMBOL	PARTS NO.	CLASS	QTY	DESCRIPTION	REMARKS
1	CM1-1600-000	C	1	PCB ASS'Y, MAIN	
2	CD1-4874-000	C	1	SHEET, MAIN	
3	CM1-1554-000	C	1	MJ MODULE UNIT	
4	CM1-1553-000	C	1	PCB ASS'Y, JAL	
5	CD1-4975-000	C	1	BASE, JACK	SILVER
	CD1-4948-000	C	1	BASE, JACK	BLACK
6	CD1-3903-000	C	1	BASE, RSW	
7	CM1-1557-000	C	1	SW MODULE UNIT	
8	CD1-3904-010	C	1	FRAME, TOP	
9	CD1-3909-000	C	1	HOLDER, MICROPHONE	
10	CM1-1215-000	C	1	MICROPHONE UNIT	
11	CM1-1230-000	C	1	BACK LIGHT UNIT	
12	WG2-5233-000	C	1	PANEL, LCD	
	WG2-5233-001	C	1	PANEL, LCD (SELECTION)	
13	CM1-1589-000	B	1	OPERATION BASE UNIT	SILVER
	CM1-1576-000	B	1	OPERATION BASE UNIT	BLACK
14	CL1-1060-000	C	1	BRUSH UNIT	
15	CD1-4592-000	C	1	SHIELD, IR SENSOR	
16	XA1-7170-207	F	6	SCREW	
17	XA1-7170-307	F	2	SCREW	
18	FC2-8736-000	F	2	SCREW	
19	CD1-4045-000	C	1	SCREW	SILVER
	CD1-4957-000	C	1	SCREW	BLACK
20	XA4-9170-359	F	2	SCREW	
21	XA4-9170-357	F	1	SCREW	

Internal Parts-2

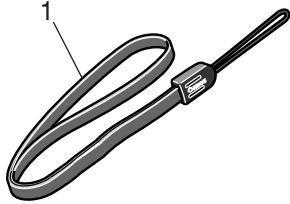


PARTS LIST

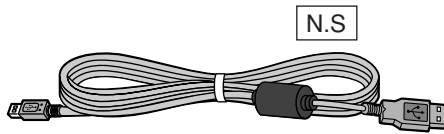
SYMBOL	PARTS NO.	CLASS	QTY	DESCRIPTION	REMARKS
1	CD1-3846-000	B	1	CAP, BARREL	SILVER
	CD1-4936-000	B	1	CAP, BARREL	BLACK
2	CD1-3860-000	C	1	TAPE, FC	
3	CD1-4959-000	B	1	CAP, FRONT	
4	CM1-1596-000	C	1	OPTICAL UNIT	SILVER
	CM1-1574-000	C	1	OPTICAL UNIT	BLACK
5	CD1-3869-000	C	1	HOLDER, LED	
6	CM1-1223-000	B	1	FINDER UNIT	
7	CS8-5209-000	C	1	SPRING, CCD	
8	CD1-3894-000	C	1	BASE, TRIPOD	
9	CD1-3888-000	C	1	FRAME, MAIN	
10	CD1-3965-000	C	1	SHEET, FRAME	
11	CD1-3914-010	B	1	LOCKER, BATTERY	
12	CM1-1561-000	C	1	SPEAKER UNIT	
13	CM1-1525-000	C	1	FLASH UNIT	
14	CM1-1601-000	C	1	PCB ASS'Y, DC/DC	
15	CY4-6072-000	D	1	FUSE, DAITO KE16	
16	CM1-1219-020	C	1	BATTERY BOX UNIT	
17	CM1-1210-000	C	1	CF UNIT	
18	XA1-7170-307	F	5	SCREW	
19	XA4-9140-507	F	2	SCREW	
20	XA4-9170-359	F	4	SCREW	
21	XA1-7170-207	F	3	SCREW	
22	CD1-3967-000	C	1	SCREW	

Accessories-1

**Wrist Strap WS-300
WS-400**

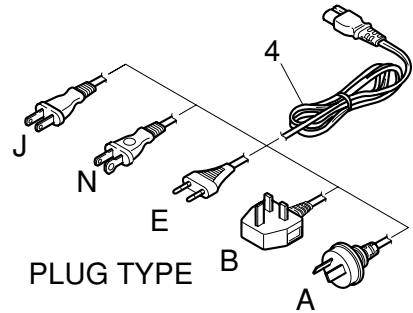


**USB Interface Cable
IFC-300PCU**



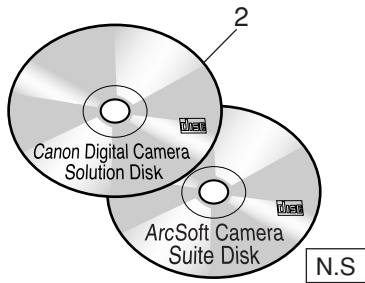
N.S

AC Cable



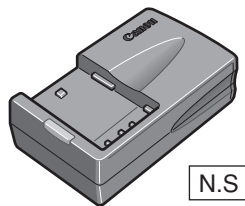
PLUG TYPE

**Canon Digital Camera
Solution Disk,
ArcSoft Camera Suite Disk**



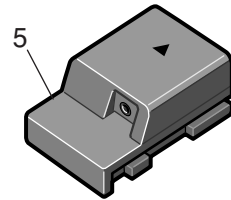
N.S

**Battery Charger
CB-2LT / CB-2LTE**



N.S

**DC Coupler
DR-700**

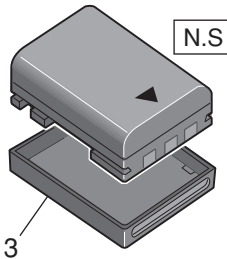


CF Card FC-32M



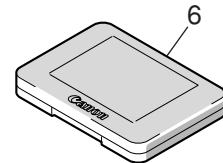
N.S

Battery Pack NB-2L

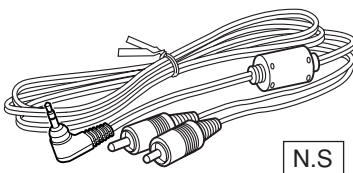


N.S

CF CASE

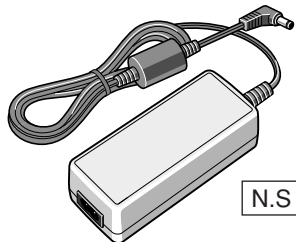


AV Cable AVC-DC100



N.S

**Compact Power Adapter
CA-PS700**



N.S

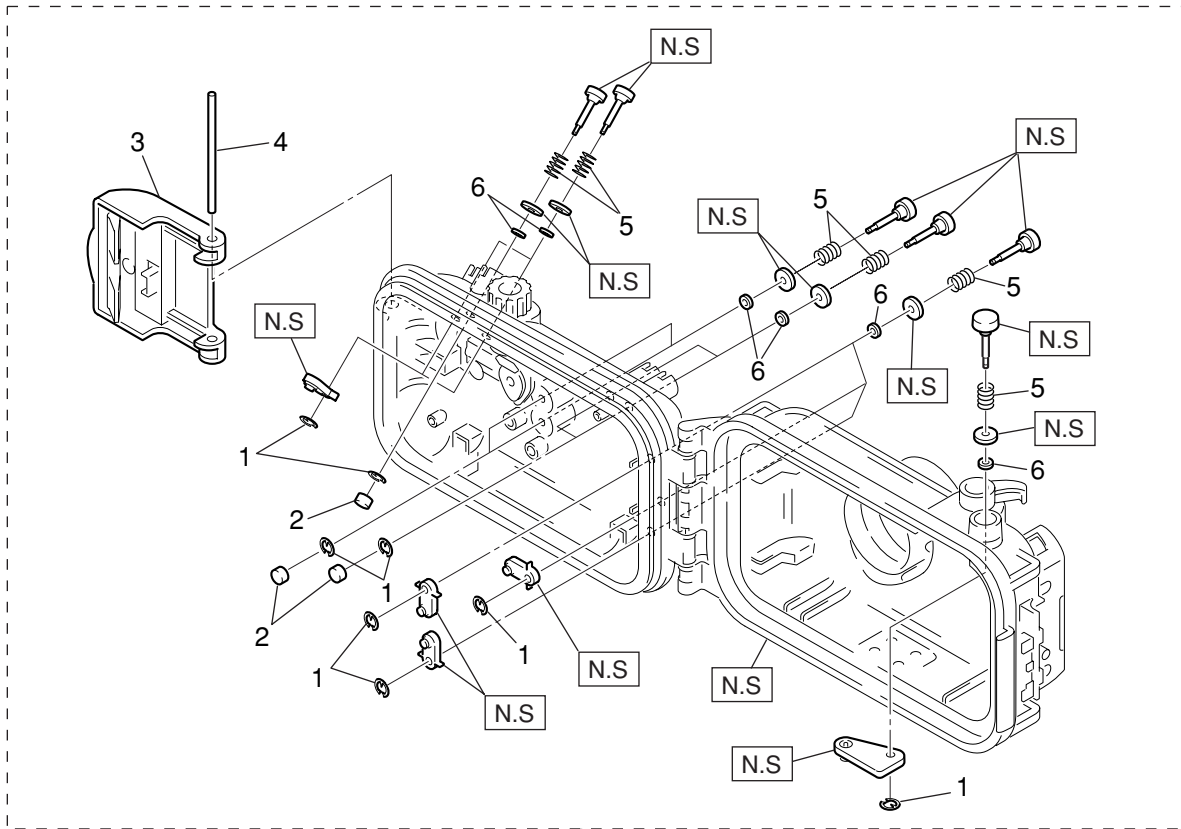
N.S : N.S Stand for No Stock (Product available)

PARTS LIST

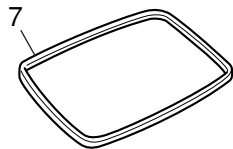
SYMBOL	PARTS NO.	CLASS	QTY	DESCRIPTION	REMARKS
1	C84-1082-000	B	1	STRAP, WRIST WS-300	SILVER
	C84-1158-000	B	1	STRAP, WRIST WS-400	BLACK
2	C84-1165-000	S	1	CD-ROM, SOLUTION VER.12.0 (J/E)	FOR JAPAN
	C84-1166-000	S	1	CD-ROM, SOLUTION VER.12.0 (E/F/S)	FOR USA, CANADA
	C84-1167-000	S	1	CD-ROM, SOLUTION VER.12.1 (J/E/C)	FOR ASIA, AUSTRALIA
3	CD1-4054-000	B	1	COVER, TERMINAL NB-2L	
4	D82-0641-000	C	1	CABLE, AC (J)	FOR JAPAN
	D82-0642-000	C	1	CABLE, AC (N)	FOR USA, CANADA
	D82-0643-000	C	1	CABLE, AC (E)	FOR EUROPE, ASIA
	D82-0644-000	C	1	CABLE, AC (B)	FOR ASIA
	D82-0645-000	C	1	CABLE, AC (A)	FOR AUSTRALIA
5	C84-1078-000	B	1	DC COUPLER DR-700	
6	FC2-9610-000	B	1	CASE, CF	

Accessories-2

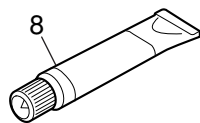
Waterproof Case WP-DC 300 N.S



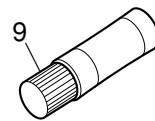
Waterproof Seal



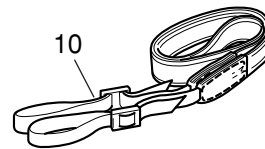
Silicone Grease



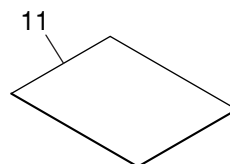
Anti-Condensation Solution



Neck Strap



Sheet



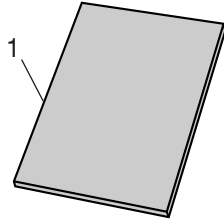
N.S : N.S Stand for No Stock (Product available)

PARTS LIST

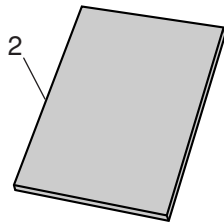
SYMBOL	PARTS NO.	CLASS	QTY	DESCRIPTION	REMARKS
1	CY1-6168-000	C	11	E RING	
2	CY1-6169-000	C	5	CAP, BUTTON	
3	CY1-6171-000	C	1	BUCKLE ASS'Y	
4	CY1-6203-000	C	1	SHAFT, BUCKLE	
5	CY1-6167-000	C	11	SPRING, COIL	
6	CY1-6252-000	C	11	O RING	
7	CY1-6100-000	B	1	PACKING, RUBBER	
8	DY9-3029-000	C	1	GREASE, PACKING	
9	DY9-3028-000	C	1	CLEANER, ANTI-FOGGING LIQUID	
10	CY1-6099-000	B	1	STRAP, NECK	
11	CY1-6185-000	B	1	SHEET	FOR JAPAN

Accessories-3

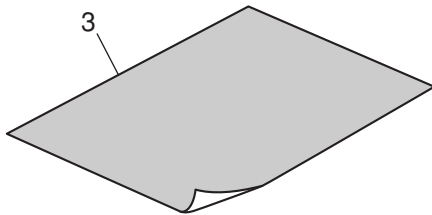
Camera User Guide



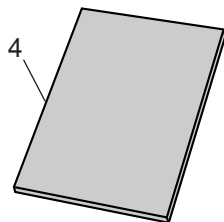
Software Starter Guide



System Map



Quick Start Guide



PARTS LIST

SYMBOL	PARTS NO.	CLASS	QTY	DESCRIPTION	REMARKS
1	CDI-J081-000	S	1	I.BOOK (JAPANESE)	FOR JAPAN
	CDI-E090-000	S	1	I.BOOK (ENGLISH)	FOR USA, CANADA, ASIA, AUSTRALIA
	CDI-F079-000	S	1	I.BOOK (FRENCH)	FOR CANADA
	CDI-S080-000	S	1	I.BOOK (SPANISH)	FOR USA
2	CDI-J061-000	S	1	SOFTWARE GUIDE (JAPANESE) VER.12	FOR JAPAN
	CDI-E070-000	S	1	SOFTWARE GUIDE (ENGLISH) VER.12	FOR USA, CANADA, ASIA, AUSTRALIA
	CDI-F059-000	S	1	SOFTWARE GUIDE (FRENCH) VER.12	FOR CANADA
	CDI-S060-000	S	1	SOFTWARE GUIDE (SPANISH) VER.12	FOR USA
3	CDI-J082-000	S	1	SYSTEM MAP (JAPANESE)	FOR JAPAN
	CDI-E091-000	S	1	SYSTEM MAP (ENGLISH)	FOR USA, CANADA, ASIA, AUSTRALIA
	CDI-F080-000	S	1	SYSTEM MAP (FRENCH)	FOR CANADA
	CDI-S081-000	S	1	SYSTEM MAP (SPANISH)	FOR USA
4	CDI-J083-000	S	1	QUICK START GUIDE (JAPANESE)	FOR JAPAN
	CDI-E092-000	S	1	QUICK START GUIDE (ENGLISH)	FOR USA, CANADA, ASIA, AUSTRALIA
	CDI-F081-000	S	1	QUICK START GUIDE (FRENCH)	FOR CANADA
	CDI-S082-000	S	1	QUICK START GUIDE (SPANISH)	FOR USA