

CHAPTER 4. PARTS CATALOG

CONTENTS

PowerShot S400/DIGITAL IXUS 400/IXY DIGITAL 400

Casing Parts	Pg1
Internal Parts-1	Pg2
Internal Parts-2	Pg3
OPTICAL UNIT	Pg4
Accessories-1	Pg5
Accessories-2	Pg6
Accessories-3	Pg7
Service Tools-1	Pg8
Service Tools-2	Pg9

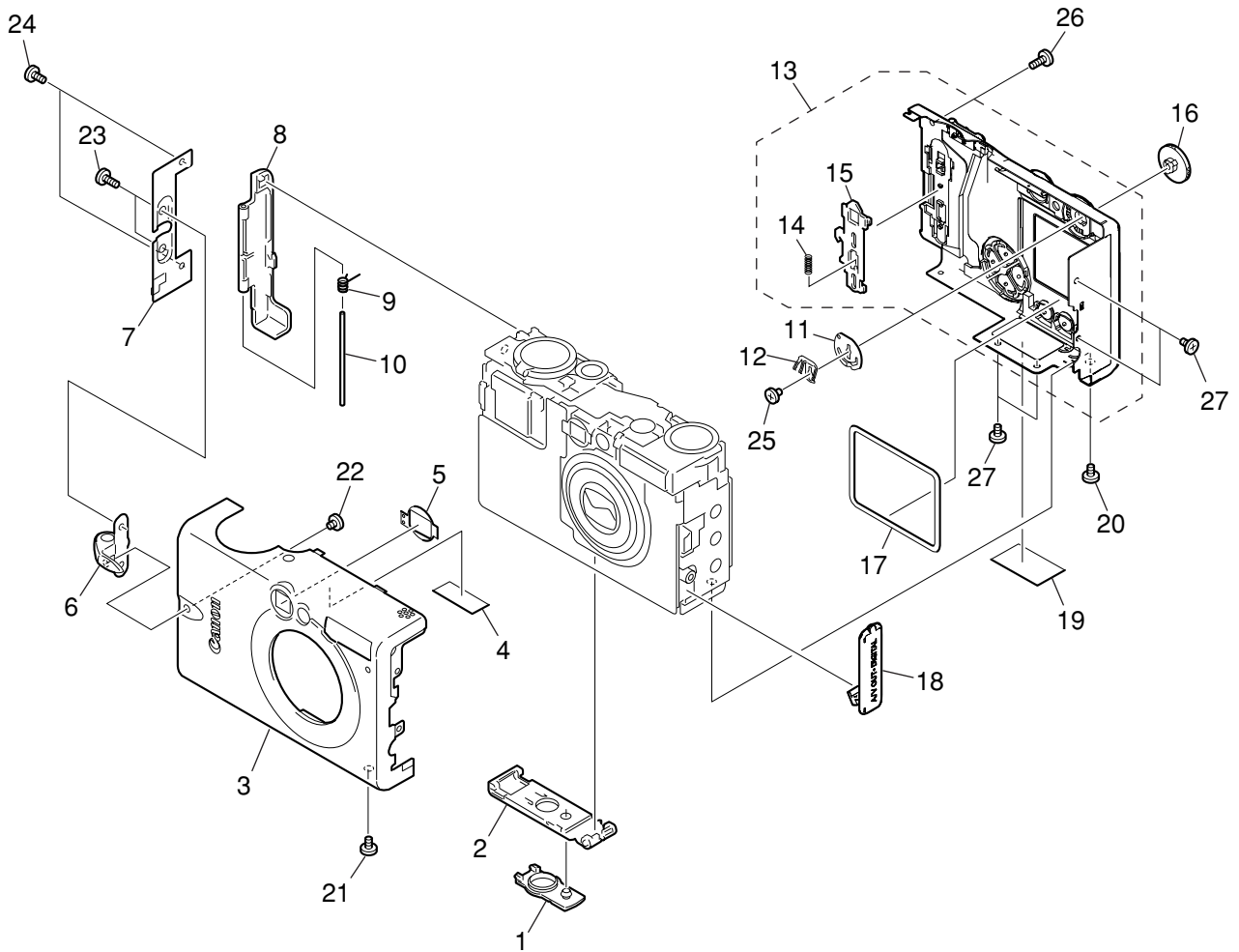
CLASS凡例

- A: 使用頻度 高
- B: 使用頻度 中
- C: 使用頻度 低
- D: 安全規格部品
- E: 消耗部品
- F: 標準ネジ、ワッシャー
- S: 供給制限品
- Y: サービス工具

Category of CLASS

- A: Frequency of use: High
- B: Frequency of use: Middle
- C: Frequency of use: Low
- D: Safety-related critical parts
- E: Consumable parts
- F: Standard screws and washers
- S: Supply of the parts is limited
- Y: Service Tools

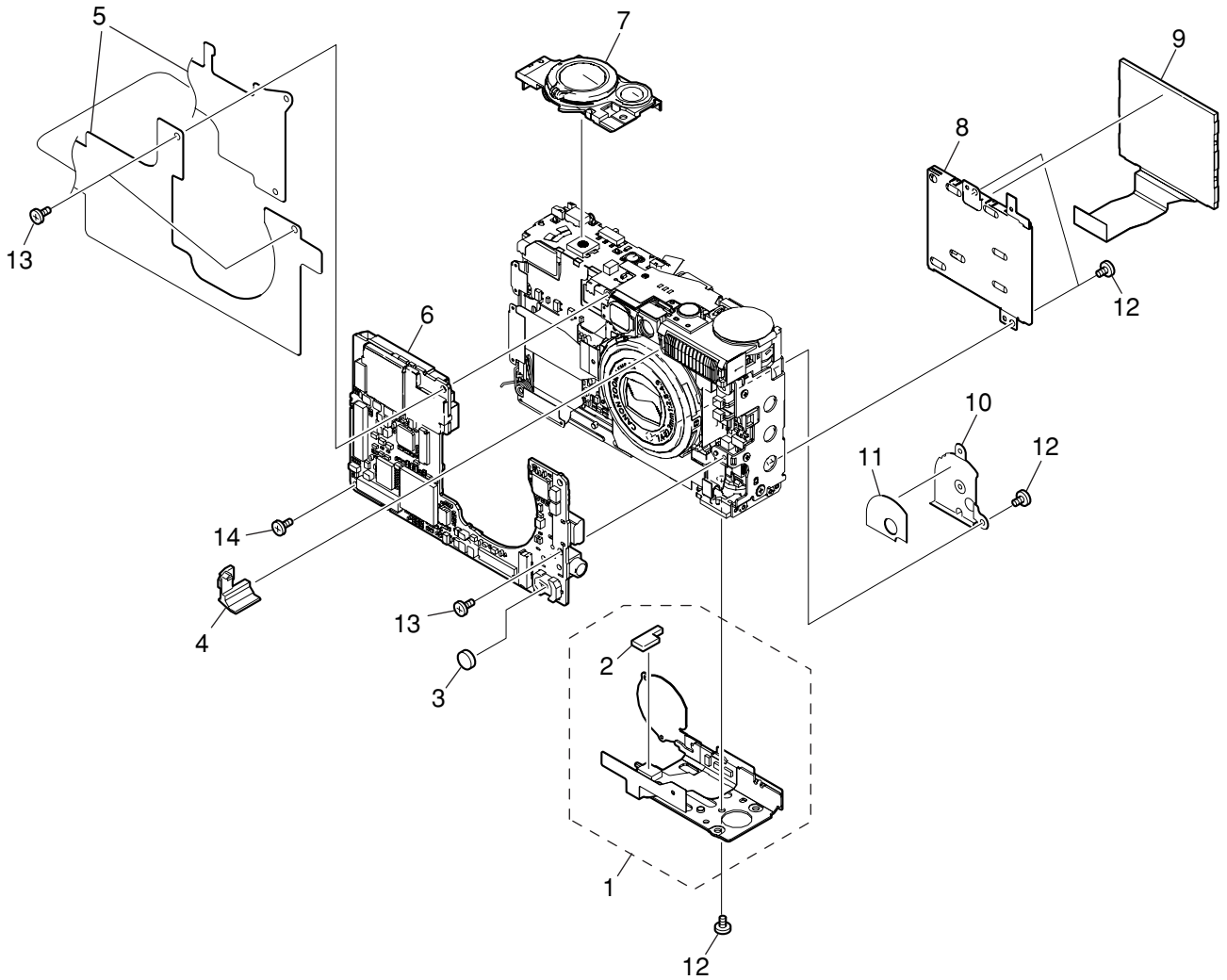
Casing Parts



PARTS LIST

SYMBOL	PARTS NO.	CLASS	QTY	DESCRIPTION	REMARKS
1	CD3-0675-000	B	1	COVER, DC COUPLER	
2	CD3-0657-000	B	1	COVER, BATTERY	
3	CM1-2113-000	B	1	FRONT COVER UNIT	IXY DIGITAL 400
	CM1-2114-000	B	1	FRONT COVER UNIT	PowerShot S400
	CM1-2115-000	B	1	FRONT COVER UNIT	DIGITAL IXUS 400
4	CD3-0684-000	C	1	SHEET, INSULATION	
5	CD3-0648-000	C	1	RUBBER, FINDER	
6	CD3-0645-000	B	1	RING, STRAP	
7	CL1-2022-000	B	1	SIDE COVER UNIT	
8	CD3-0698-000	B	1	COVER, CF	
9	CS8-6162-000	C	1	SPRING, CF COVE	
10	CD3-0699-000	C	1	BAR, CF COVER	
11	CD3-0711-000	C	1	SPRING, MODE DIAL CLICK	
12	CD3-0712-000	C	1	PLATE, MODE DIAL CONTACT	
13	CM1-2111-000	B	1	REAR COVER UNIT	
14	CS8-5264-000	C	1	SPRING, CF LOCK	
15	CD1-4200-000	C	1	LOCK, CF COVER	
16	CD3-0710-000	B	1	DIAL, MODE	
17	CD3-0706-000	C	1	SPACER, LCD	
18	CD3-0704-000	B	1	COVER, JACK	
19	CY1-6259-000	B	1	PLATE, BODY NUMBER	#13011xxxxx
20	CD3-0730-000	C	1	SCREW	
21	CD3-0728-000	C	1	SCREW	
22	CD3-0687-000	C	1	SCREW	
23	CD3-0679-000	C	2	SCREW	
24	CD3-0678-000	C	2	SCREW	
25	CD3-0734-000	C	1	SCREW	
26	CD3-0731-000	C	1	SCREW	
27	CD3-0677-000	C	4	SCREW	

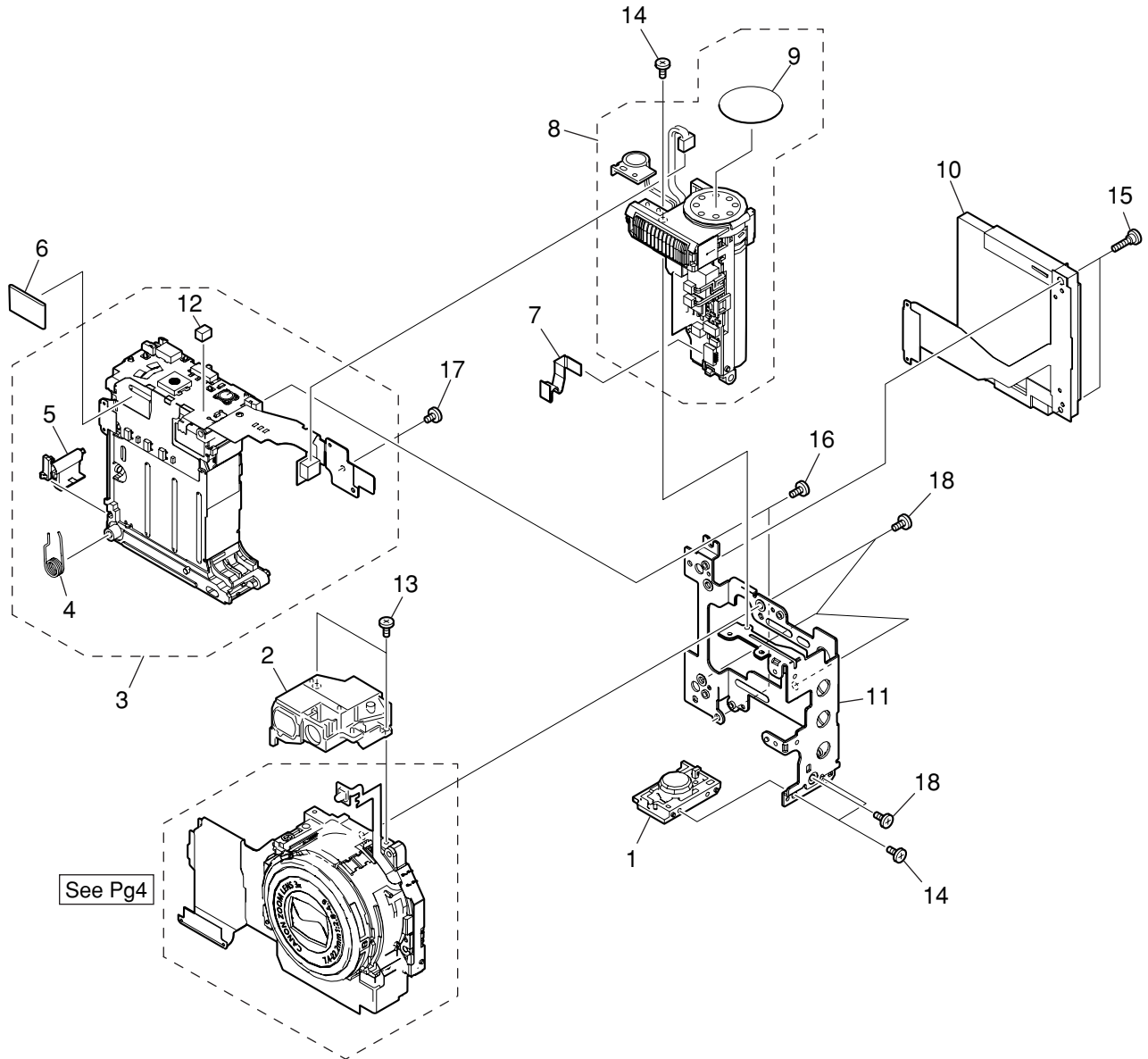
Internal Parts-1



PARTS LIST

SYMBOL	PARTS NO.	CLASS	QTY	DESCRIPTION	REMARKS
1	CM1-2086-000	C	1	OPERATION KEY UNIT	
2	CD3-0735-000	C	1	SHEET, DUSTPROOF	
3	WK1-5140-000	C	1	BATTERY, LITHIUM(2ND)	
4	CD3-0631-000	C	1	SPACER, FINDER GAP	
5	CL1-2024-000	C	1	SHIELD SHEET UNIT	
6	CM1-2085-000	C	1	PCB ASS'Y, MAIN	
7	CM1-2072-000	B	1	SHUTTER BUTTON UNIT	
8	CM1-2075-000	C	1	BACK LIGHT UNIT	
9	WG2-5243-000	C	1	PANEL, LCD	
	WG2-5243-001	C	1	PANEL, LCD (SELECTION)	
10	CD3-0715-000	C	1	PLATE, OPERATION	
11	CD3-0716-000	C	1	TAPE, OPERATION PLATE	
12	CD1-3108-000	C	4	SCREW	
13	XA1-7170-357	F	3	SCREW	
14	XA4-9170-359	F	1	SCREW	

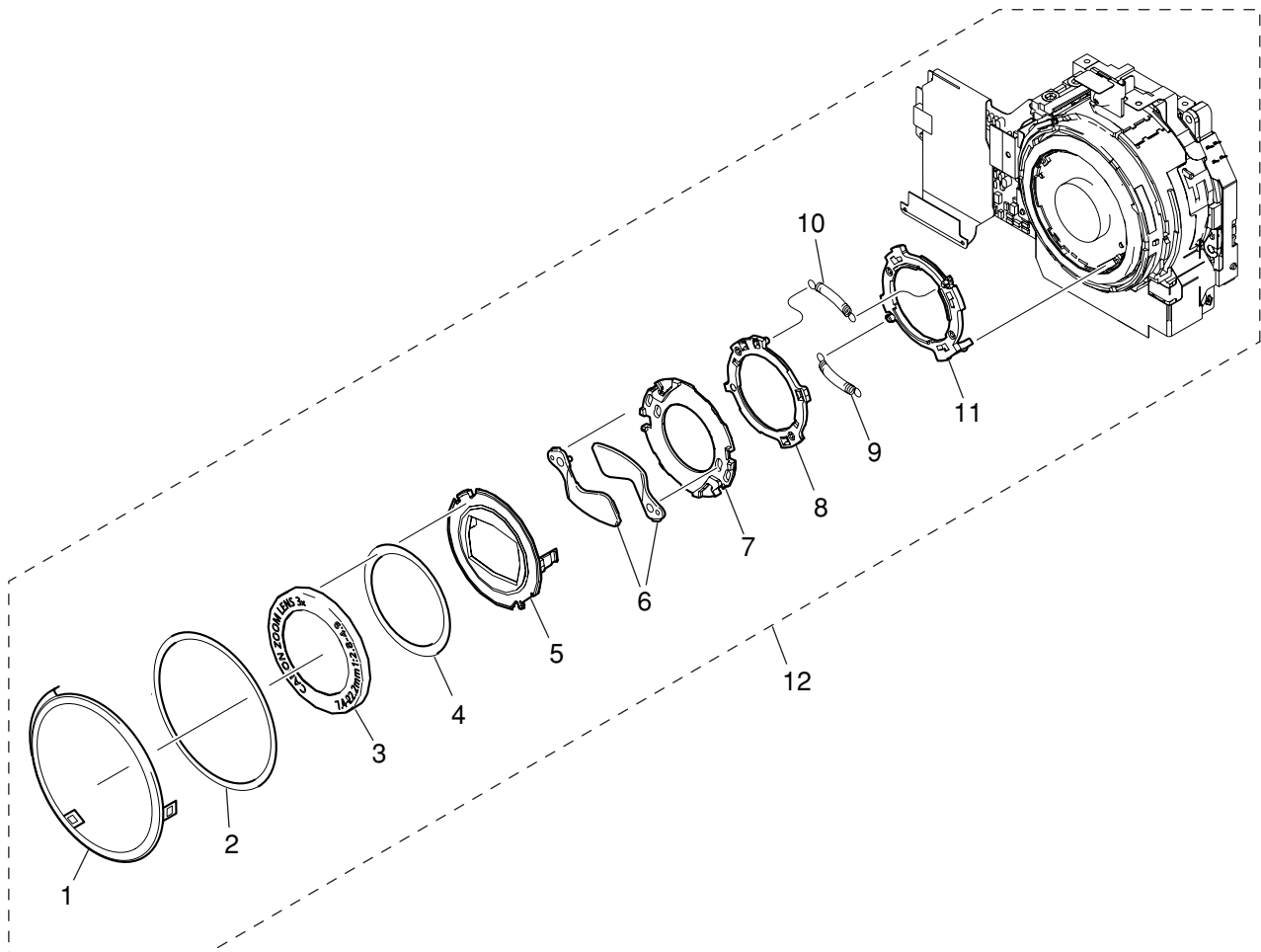
Internal Parts-2



PARTS LIST

SYMBOL	PARTS NO.	CLASS	QTY	DESCRIPTION	REMARKS
1	CD3-0723-000	C	1	SOCKET, TRIPOD	
2	CM1-2090-000	C	1	FINDER UNIT	
3	CM1-2074-000	C	1	BATTERY BOX UNIT	
4	CD3-0655-000	C	1	SPRING, BATTERY LOCK	
5	CD3-0654-000	C	1	LOCK, BATTERY	
6	CD3-0690-000	C	1	SHEET, GROUND	
7	CK2-2027-000	C	1	FPC, MAIN-FLASH	
8	CM1-2071-000	C	1	FLASH BASE UNIT	
9	CM1-2112-000	C	1	SPEAKER SHEET UNIT	
10	CM1-2084-000	C	1	CF UNIT	
11	CD3-0707-000	C	1	FRAME, MAIN	
12	CY4-6074-000	D	1	FUSE, MATSU. DENKI UNHS 206	
13	XA4-9140-359	F	2	SCREW	
14	XA1-7170-307	F	3	SCREW	
15	CD3-0700-000	C	2	SCREW	
16	XA4-9170-309	F	2	SCREW	
17	XA4-5140-209	F	1	SCREW	
18	XA4-5170-309	F	4	SCREW	

OPTICAL UNIT

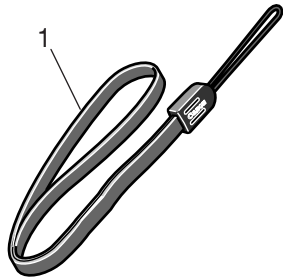


PARTS LIST

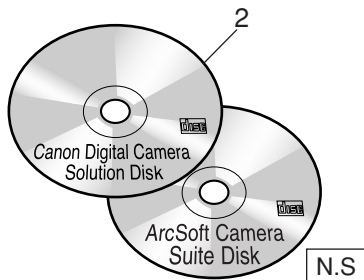
SYMBOL	PARTS NO.	CLASS	QTY	DESCRIPTION	REMARKS
1	CD3-0597-000	B	1	CAP, BASE BARREL	
2	CD3-0548-000	C	1	SHEET, LENS BARREL	
3	CD3-0543-000	B	1	CAP, BARREL	
4	CD3-0558-000	C	1	TAPE, BARREL CAP	SIZE (015)
5	CD3-0552-000	B	1	CAP, FRONT	
6	CD3-0550-000	B	2	PLATE, BARRIER	
7	CD3-0551-000	C	1	BASE, BARRIER	
8	CD3-0554-000	C	1	PLATE, BARRIER DRIVE	
9	CD3-0557-000	C	1	SPRING, BARRIER OPEN	
10	CD3-0556-000	C	1	SPRING, BARRIER CLOSE	
11	CD3-0553-000	C	1	RING, BARRIER DRIVE	
12	CM1-2062-000	C	1	OPTICAL UNIT	

Accessories-1

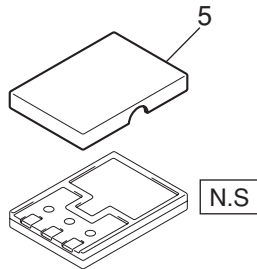
Wrist Strap WS-300



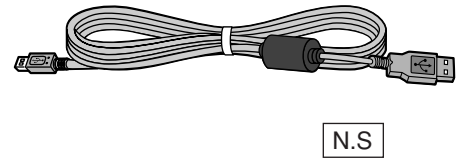
**Canon Digital Camera
Solution Disk,
ArcSoft Camera Suite Disk**



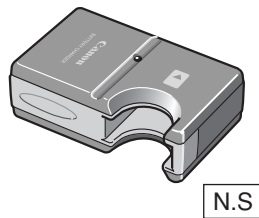
Terminal Cover NB-1LH



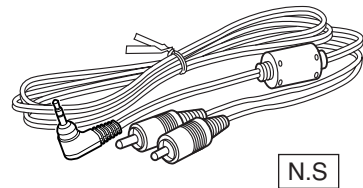
**USB Interface Cable
IFC-300PCU**



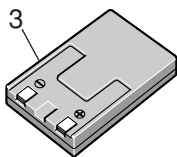
**Battery Charger
CB-2LS/2LSE**



AV Cable AVC-DC100



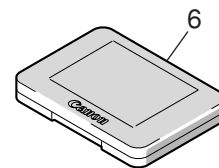
DC Coupler DR-500



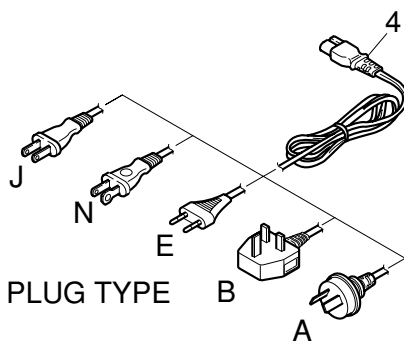
CF Card FC-32M



CF Case



AC Cable



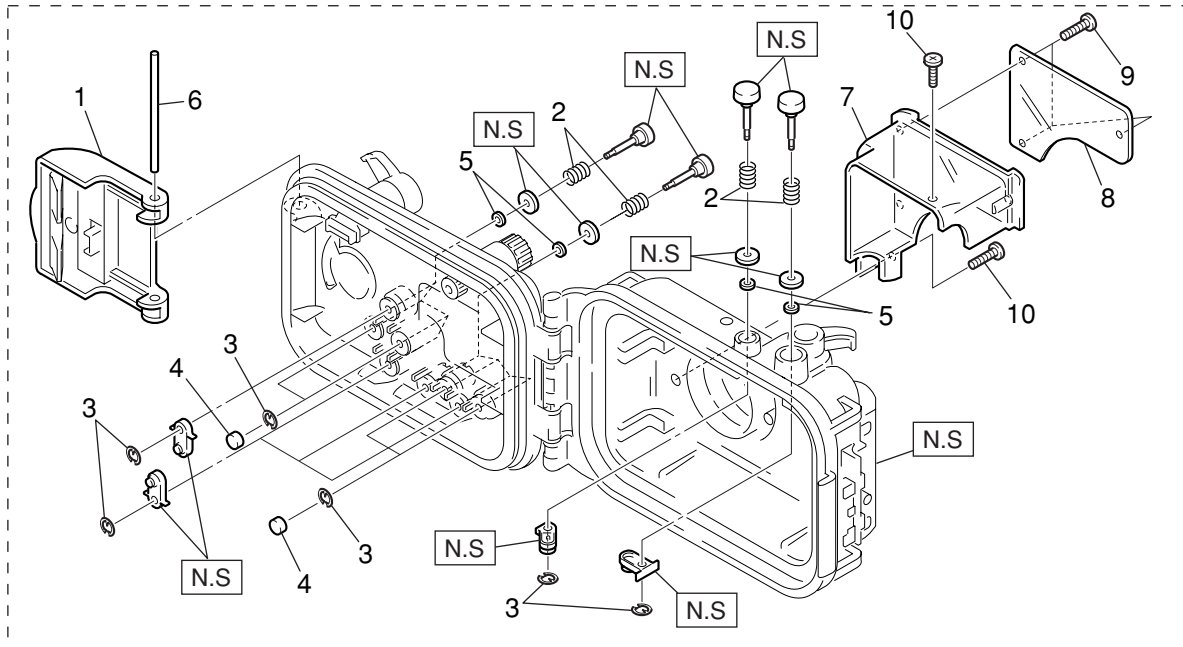
N.S. : N.S Stand for No Stock (Product available)

PARTS LIST

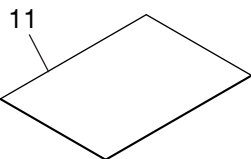
SYMBOL	PARTS NO.	CLASS	QTY	DESCRIPTION	REMARKS
1	C84-1082-000	B	1	STRAP, WRIST WS-300	
2	C84-1165-000	S	1	CD-ROM, SOLUTION VER.12.0 (J/E)	FOR JAPAN
	C84-1166-000	S	1	CD-ROM, SOLUTION VER.12.0 (E/F/S)	FOR USA, CANADA
	C84-1167-000	S	1	CD-ROM, SOLUTION VER.12.1 (J/E/C)	FOR ASIA, AUSTRALIA
3	C84-1044-000	B	1	DC COUPLER DR-500	
4	D82-0641-000	C	1	CABLE, AC (J)	FOR JAPAN
	D82-0642-000	C	1	CABLE, AC (N)	FOR USA, CANADA
	D82-0643-000	C	1	CABLE, AC (E)	FOR EUROPE, ASIA
	D82-0644-000	C	1	CABLE, AC (B)	FOR ASIA
	D82-0645-000	C	1	CABLE, AC (A)	FOR AUSTRALIA
5	CD1-4329-000	B	1	COVER, TERMINAL NB-1LH	
6	FC2-9610-000	B	1	CASE, CF	

Accessories-2

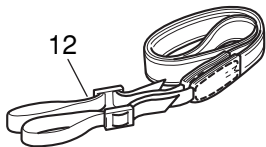
Waterproof Case WP-DC 800 N.S



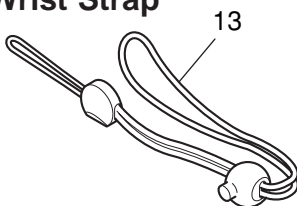
Sheet



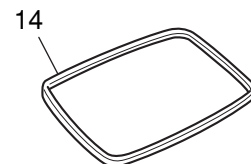
Neck Strap



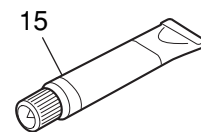
Wrist Strap



Waterproof Seal



Silicone Grease



Diffusion Plate Unit



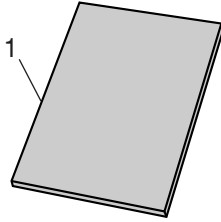
N.S: N.S Stand for No Stock (Product available)

PARTS LIST

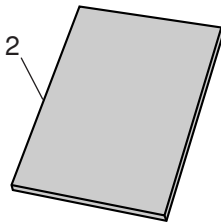
SYMBOL	PARTS NO.	CLASS	QTY	DESCRIPTION	REMARKS
1	CY1-6171-000	C	1	BUCKLE ASS'Y	
2	CY1-6167-000	C	10	SPRING, COIL	
3	CY1-6168-000	C	10	E RING	
4	CY1-6169-000	C	4	CAP, BUTTON	
5	CY1-6252-000	C	10	O RING	
6	CY1-6203-000	C	1	SHAFT, BUCKLE	
7	CY1-6279-000	C	1	HOLDER, DEFUSION PLATE	
8	CY1-6280-000	C	1	PROTECTOR, DEFUSION PLATE	
9	CY6-3210-000	C	3	SCREW (2 x 7)	
10	CY6-3211-000	C	2	SCREW (2 x 6)	
11	CY1-6276-000	C	1	SHEET	FOR JAPAN
12	CY1-6099-000	B	1	STRAP, NECK	
13	CY1-6174-000	B	1	STRAP, WRIST	
14	CY1-6277-000	B	1	PACKING, RUBBER	
15	CY9-3029-000	C	1	GREASE PACKING	
16	CY1-6278-000	B	1	DIFFUSION PLATE UNIT	

Accessories-3

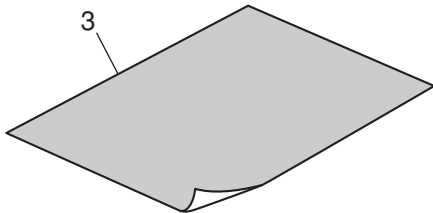
Camera User Guide



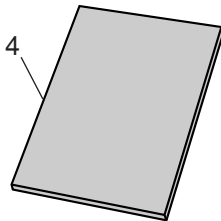
Software Starter Guide



System Map



Quick Start Guide



PARTS LIST

SYMBOL	PARTS NO.	CLASS	QTY	DESCRIPTION	REMARKS
1	CDI-E081-000	S	1	I.BOOK(ENGLISH)	FOR USA, CANADA, ASIA, AUSTRALIA
	CDI-S071-000	S	1	I.BOOK(SPANISH)	FOR USA
	CDI-J072-000	S	1	I.BOOK(JAPANESE)	FOR JAPAN
	CDI-F070-000	S	1	I.BOOK(FRENCH)	FOR CANADA
2	CDI-E070-000	S	1	SOFTWARE GUIDE(ENGLISH) VER.12	FOR USA, CANADA, ASIA, AUSTRALIA
	CDI-S060-000	S	1	SOFTWARE GUIDE(SPANISH) VER.12	FOR USA
	CDI-J061-000	S	1	SOFTWARE GUIDE(JAPANESE) VER.12	FOR JAPAN
	CDI-F059-000	S	1	SOFTWARE GUIDE(FRENCH) VER.12	FOR CANADA
3	CDI-E082-000	S	1	SYSTEM MAP(ENGLISH)	FOR USA, CANADA, ASIA, AUSTRALIA
	CDI-S072-000	S	1	SYSTEM MAP(SPANISH)	FOR USA
	CDI-J073-000	S	1	SYSTEM MAP(JAPANESE)	FOR JAPAN
	CDI-F071-000	S	1	SYSTEM MAP(FRENCH)	FOR CANADA
4	CDI-E083-000	S	1	QUICK START GUIDE(ENGLISH)	FOR USA, CANADA, ASIA, AUSTRALIA
	CDI-S073-000	S	1	QUICK START GUIDE(SPANISH)	FOR USA
	CDI-J074-000	S	1	QUICK START GUIDE(JAPANESE)	FOR JAPAN
	CDI-F072-000	S	1	QUICK START GUIDE(FRENCH)	FOR CANADA