

# CHAPTER 4. PARTS CATALOG

## CONTENTS

### PowerShot G3

CASING PARTS SECTION .....	Pg1
INTERNAL PARTS SECTION-1 .....	Pg2
INTERNAL PARTS SECTION-2 .....	Pg3
TOP COVER SECTION .....	Pg4
EVF UNIT SECTION .....	Pg5
BATTERY BOX UNIT SECTION .....	Pg6
Fuse .....	Pg7
Accessories-1 .....	Pg8
Accessories-2 .....	Pg9
Accessories-3 .....	Pg10
Service Tools .....	Pg11

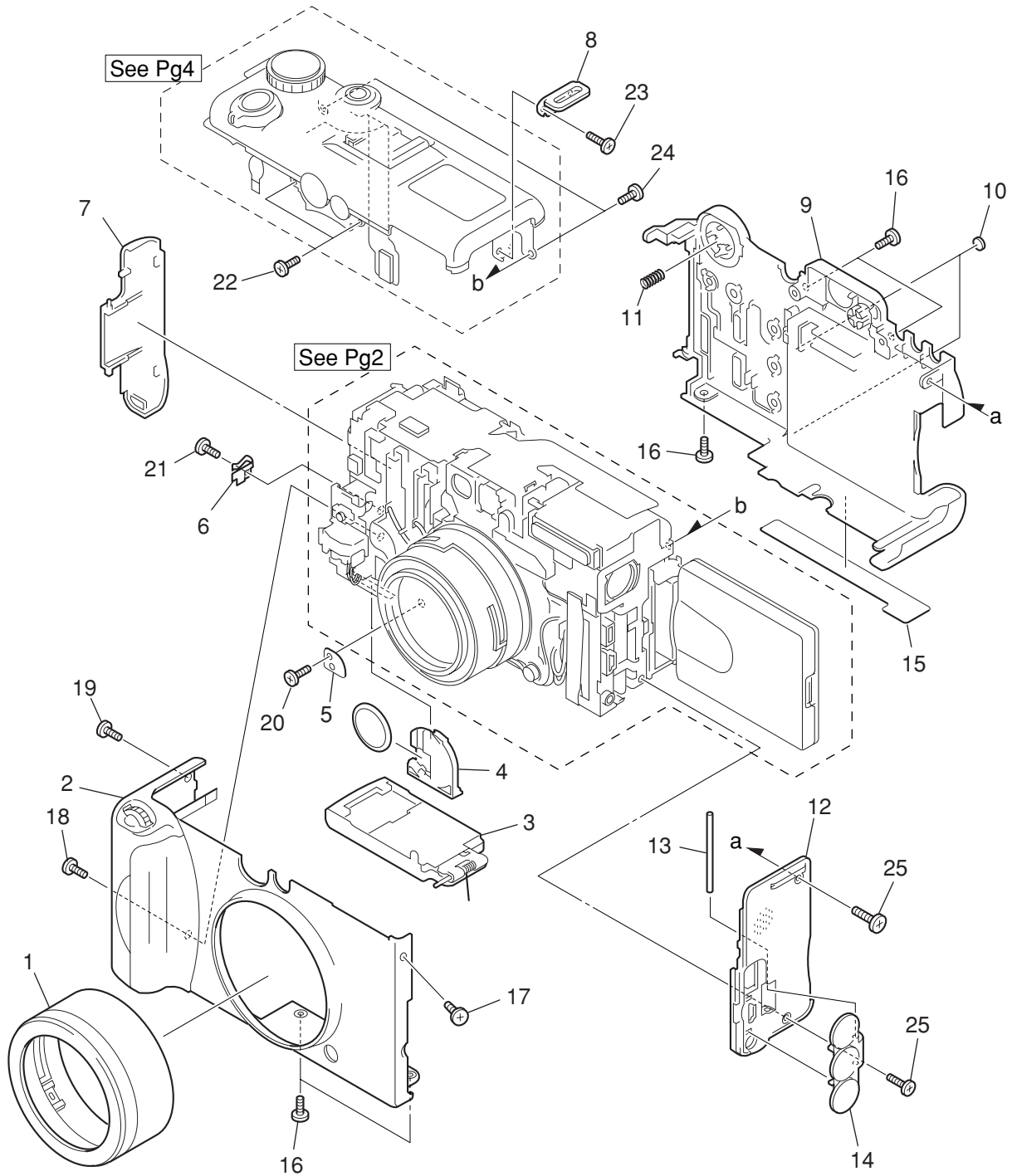
#### CLASS凡例

- A: 使用頻度 高
- B: 使用頻度 中
- C: 使用頻度 低
- D: 安全規格部品
- E: 消耗部品
- F: 標準ネジ、ワッシャー
- S: 供給制限品

#### Category of CLASS

- A: Frequency of use: High
- B: Frequency of use: Middle
- C: Frequency of use: Low
- D: Safety-related critical parts
- E: Consumable parts
- F: Standard screws and washers
- S: Supply of the parts is limited

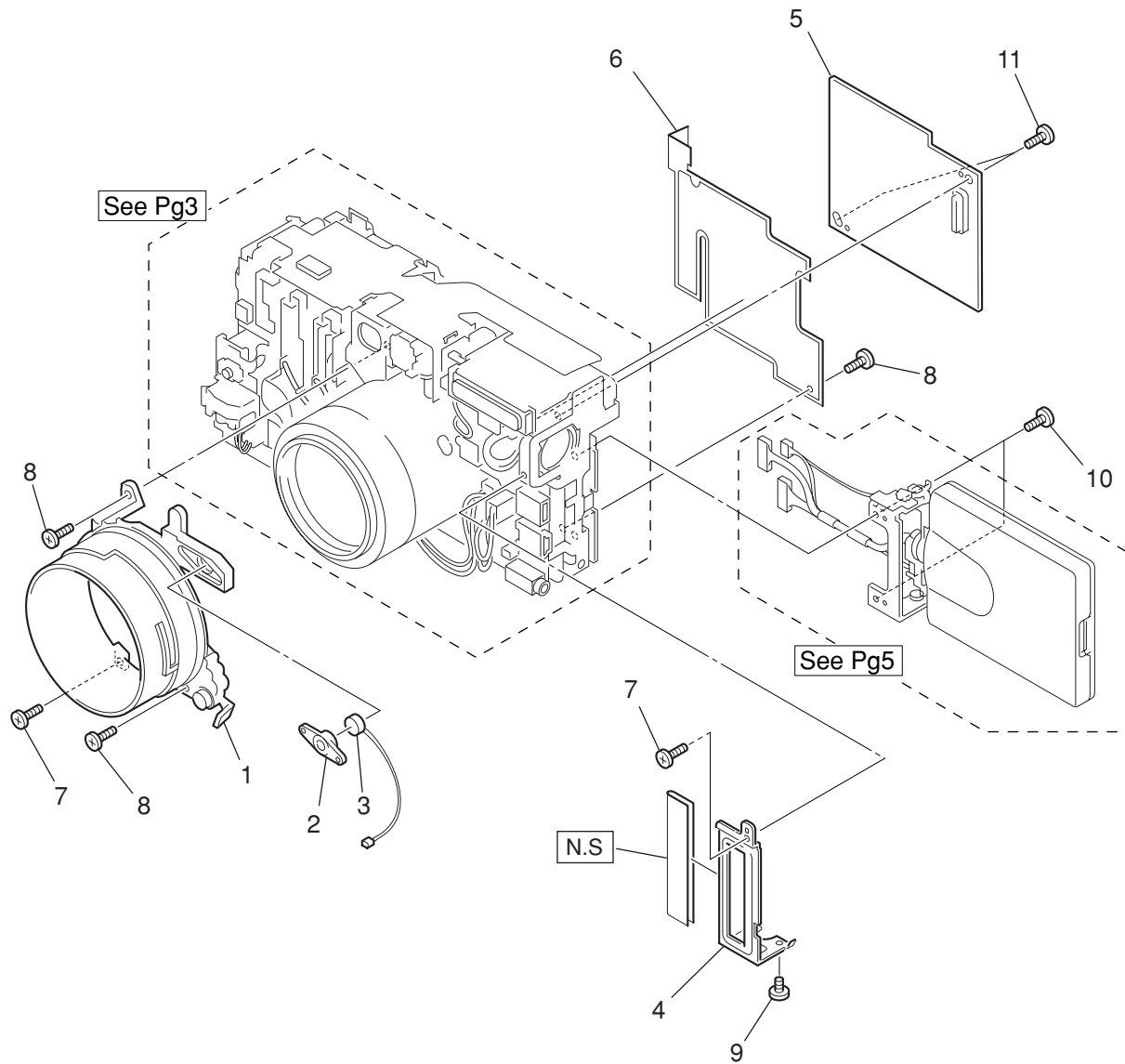
# CASING PARTS SECTION



## PARTS LIST

SYMBOL	PARTS NO.	CLASS	QTY	DESCRIPTION	REMARKS
1	CM1-1487-000	B	1	FRONT CAP UNIT	
2	CM1-1472-000	B	1	FRONT COVER UNIT	
3	CM1-1486-000	B	1	BATTERY LID UNIT	
4	CD1-3264-000	B	1	HOLDER, DATE BATTERY	
5	CD1-4778-000	C	1	HOLDER, BATTERY SHAFT	
6	CD1-4782-000	C	1	SPRING, CF CLIPPING 2	
7	CD1-4780-000	B	1	COVER, CF	
8	CD1-4837-000	B	1	BASE, STRAP RIGHT	
9	CM1-1469-000	B	1	REAR COVER UNIT	
10	CD1-4757-000	B	2	BUSH, LCD	
11	CS8-5211-000	C	1	SPRING, SELECTOR	
12	CD1-4742-000	B	1	COVER, SIDE	
13	CS8-3256-000	C	1	SHAFT, JACK COVER	
14	CD1-4766-000	B	1	COVER, JACK	
15	CY1-6195-000	B	1	PLATE, BODY NUMBER (J)	FOR JAPAN
	CY1-6196-000	B	1	PLATE, BODY NUMBER (N)	FOR EUROPA, ASIA
	CY1-6197-000	B	1	PLATE, BODY NUMBER (E)	FOR USA, CANADA
16	CD1-4853-000	F	5	SCREW	
17	CD1-4851-000	F	1	SCREW	
18	CD1-4855-000	F	1	SCREW	
19	CD1-4856-000	F	1	SCREW	
20	XA4-9170-359	F	1	SCREW	
21	XA4-5170-307	F	1	SCREW	
22	XA4-9170-407	F	2	SCREW	
23	XA1-7170-357	F	1	SCREW	
24	XA1-7170-307	F	2	SCREW	
25	CD1-4854-000	F	2	SCREW	

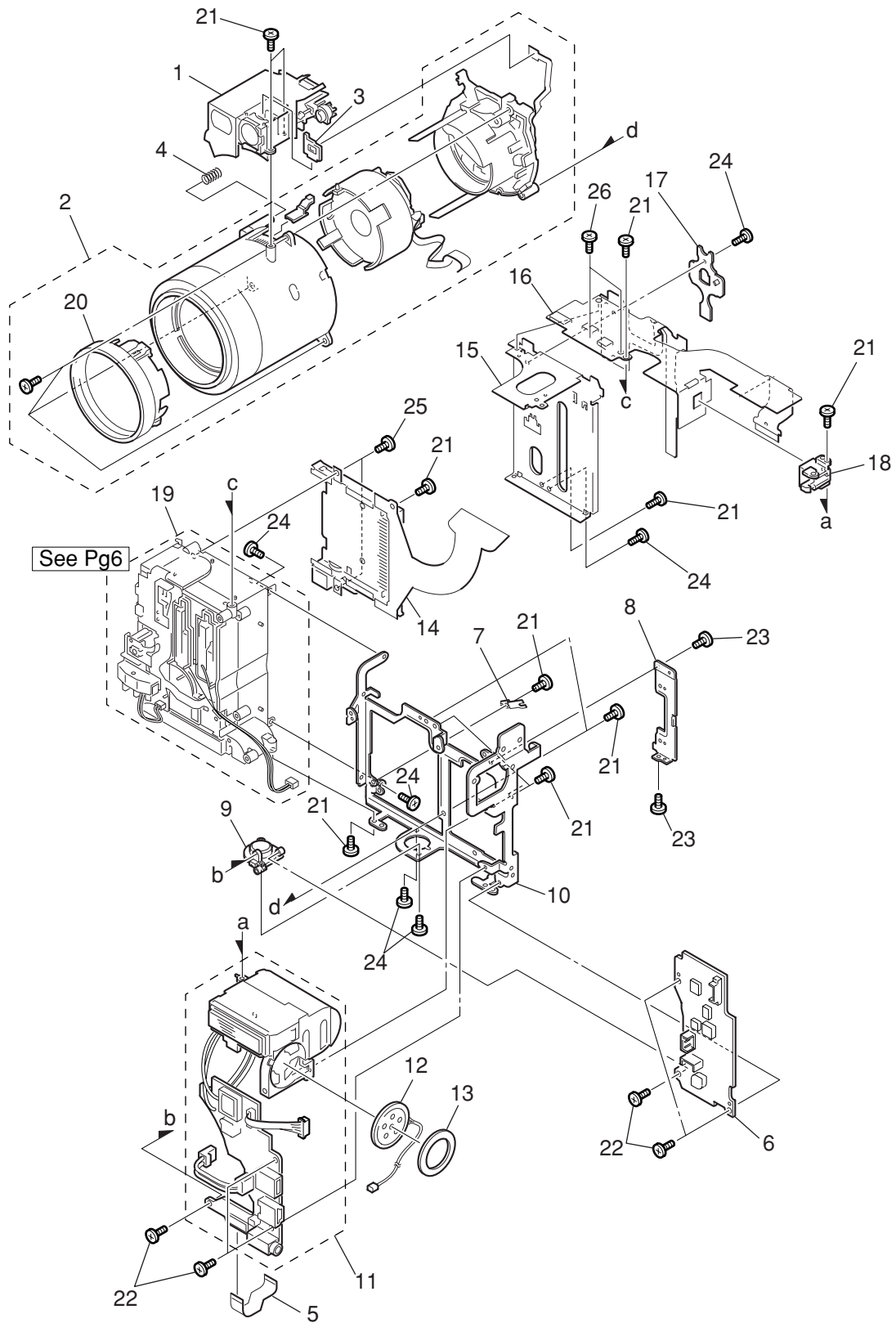
# INTERNAL PARTS SECTION-1



## PARTS LIST

SYMBOL	PARTS NO.	CLASS	QTY	DESCRIPTION	REMARKS
1	CM1-1484-000	C	1	MAIN BARREL UNIT	
2	CD1-3213-000	C	1	HOLDER, MICROPHONE	
3	CM1-1564-000	C	1	MICROPHONE UNIT	
4	CD1-4850-000	C	1	FRAME, SIDE COVER	
5	CM1-1489-000	C	1	PCB ASS'Y, MAIN	
6	CD1-4911-000	C	1	SHEET, MAIN	
7	XA4-9170-359	F	2	SCREW	
8	XA1-7170-307	F	3	SCREW	
9	CD1-3108-000	F	1	SCREW	
10	CD1-3798-000	F	2	SCREW	
11	CD1-4987-000	F	2	SCREW	

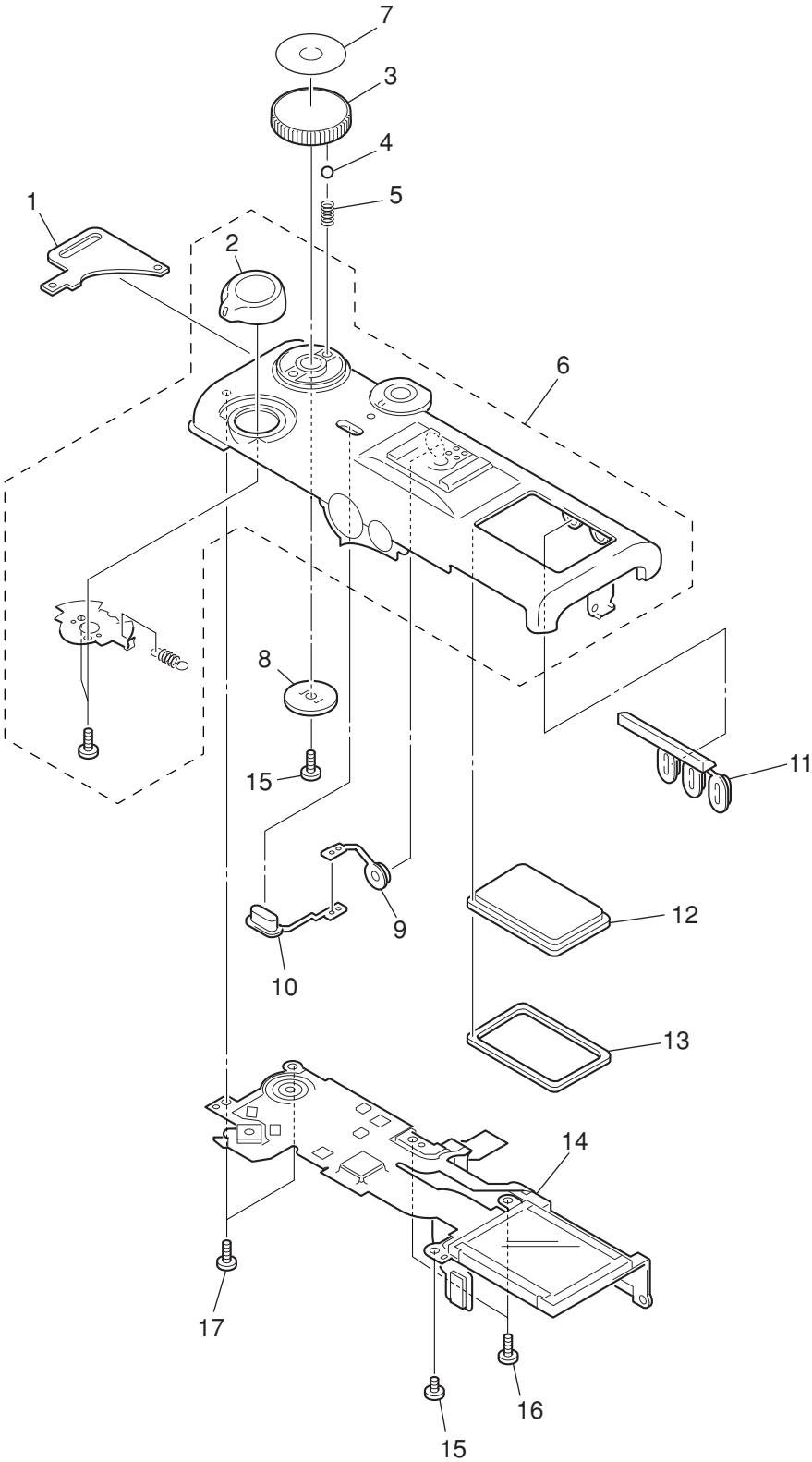
# INTERNAL PARTS SECTION-2



## PARTS LIST

SYMBOL	PARTS NO.	CLASS	QTY	DESCRIPTION	REMARKS
1	CM1-1463-000	B	1	FINDER UNIT	
2	CM1-1462-000	B	1	OPTICAL UNIT	
3	CD1-3869-000	C	1	HOLDER, LED	
4	CS8-5209-000	C	1	SPRING, CCD	
5	CK1-0670-000	C	1	FPC, MAIN/FLASH	
6	CM1-1495-000	C	1	PCB ASS'Y, DC/DC CONVERTER	
7	CD1-4433-000	C	1	PLATE, ZOOM GND	
8	CD1-4838-000	C	1	FRAME, SUB	
9	CD1-4844-000	C	1	BASE, TRIPOD	
10	CD1-4748-000	C	1	FRAME, MAIN	
11	CM1-1473-000	C	1	FLASH/JACK UNIT	
12	CM1-1565-000	C	1	SPAKER UNIT	
13	CD1-4848-000	C	1	BUSH, SPEAKER	
14	CM1-1491-000	C	1	CF UNIT	
15	CD1-4765-000	C	1	FRAME, REAR	
16	CM1-1488-000	C	1	PCB ASS'Y, BUTTON	
17	CD1-4762-000	C	1	BASE, SEL. BUTTON	
18	CD1-4812-000	C	1	HOLDER, EF SENSOR	
19	CM1-1483-000	C	1	BAT BOX UNIT	
20	CM1-1622-000	B	1	FRONT LENS UNIT	
21	XA4-9170-359	F	12	SCREW	
22	CB1-1998-000	F	6	SCREW	
23	CD1-3798-000	F	2	SCREW	
24	XA1-7170-307	F	6	SCREW	
25	XA1-7170-147	F	2	SCREW	
26	XA1-7170-167	F	2	SCREW	

# TOP COVER SECTION

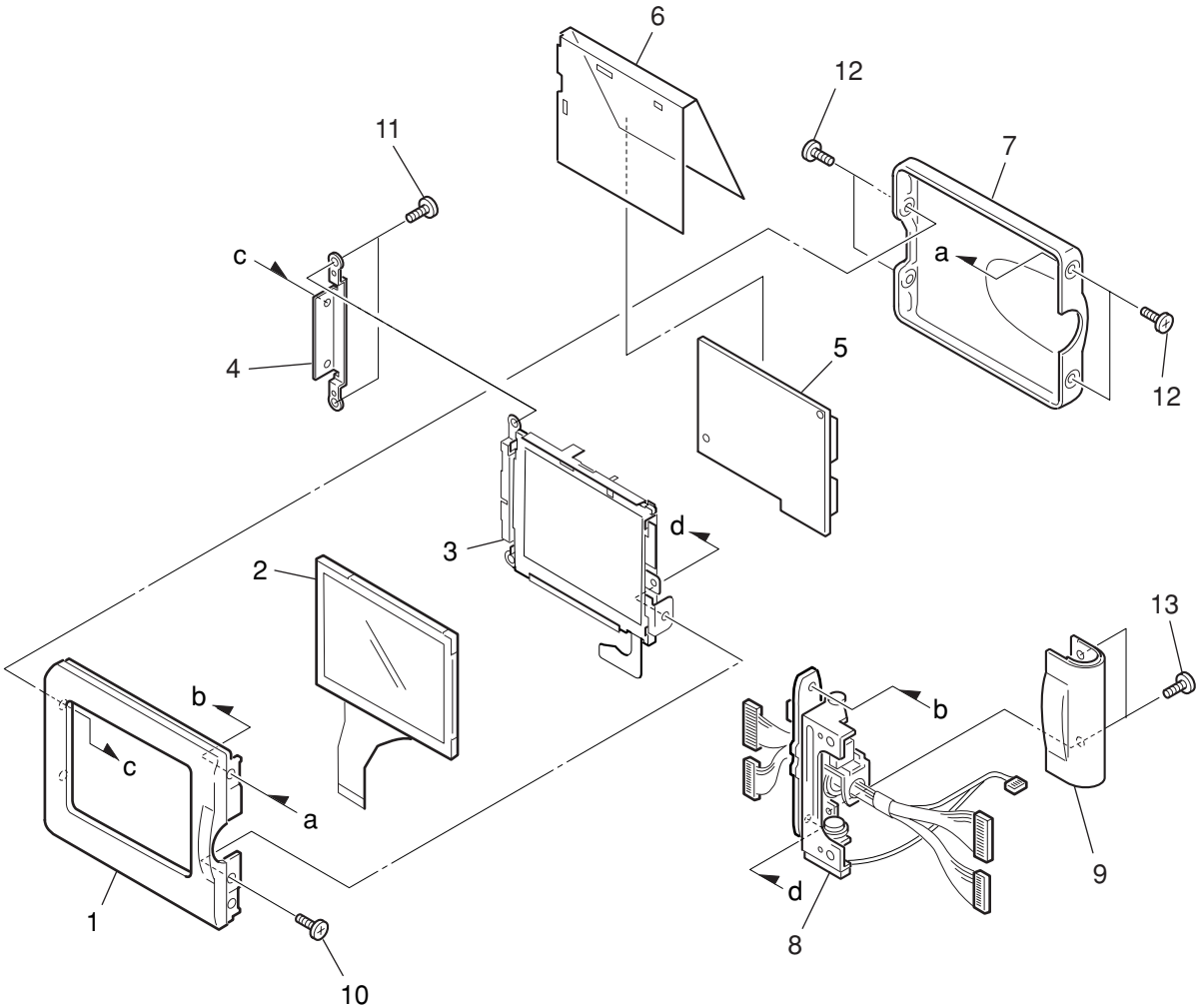




## PARTS LIST

SYMBOL	PARTS NO.	CLASS	QTY	DESCRIPTION	REMARKS
1	CD1-4836-000	B	1	BASE, STRAP LEFT	
2	CM1-1478-000	B	1	ZOOM LEVER UNIT	
3	CD1-4816-000	B	1	DIAL, MODE	
4	XG8-1500-591	C	1	BALL, MODE DIAL	
5	CS8-5292-000	C	1	SPRING, MODE DIAL	
6	CM1-1470-000	B	1	TOP COVER UNIT	
7	CD1-4814-000	B	1	CAP, MODE DIAL	
8	CL1-1106-000	C	1	MODE DIAL BASE UNIT	
9	CD1-4849-000	B	1	BUTTON, TOP3	
10	CD1-4839-000	B	1	BUTTON, TOP1	
11	CD1-4840-000	B	1	BUTTON, TOP2	
12	CD1-4826-000	B	1	WINDOW, B/W LCD	
13	CD1-4824-000	C	1	SEAL, DUST COVER	
14	CM1-1475-000	C	1	B/W LCD UNIT	
15	XA4-9170-359	F	2	SCREW	
16	XA1-7170-167	F	2	SCREW	
17	XA4-5170-409	F	2	SCREW	

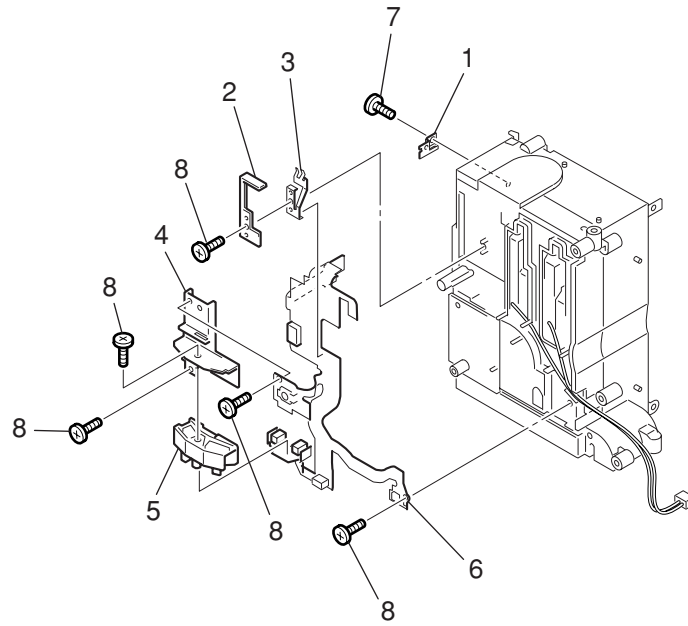
# EVF UNIT SECTION



## PARTS LIST

SYMBOL	PARTS NO.	CLASS	QTY	DESCRIPTION	REMARKS
1	CD1-4749-000	B	1	COVER, LCD FRAME	
2	WG2-5219-000	C	1	PANEL, LCD	
	WG2-5219-001	C	1	PANEL, LCD(SELECTION)	
3	CM1-1572-000	C	1	BACK LIGHT UNIT	
4	CD1-4751-000	C	1	PLATE, NUT	
5	CM1-1490-000	C	1	PCB ASS'Y, LCD	
6	CD1-4752-000	C	1	SHEET, LCD	
7	CD1-4750-000	B	1	COVER, LCD TOP	
8	CM1-1468-000	C	1	HINGE UNIT	
9	CD1-4753-000	B	1	COVER, HINGE	
10	XA1-7170-307	F	1	SCREW	
11	XA4-9170-359	F	2	SCREW	
12	CD1-4851-000	F	4	SCREW	
13	CD1-4859-000	F	2	SCREW	

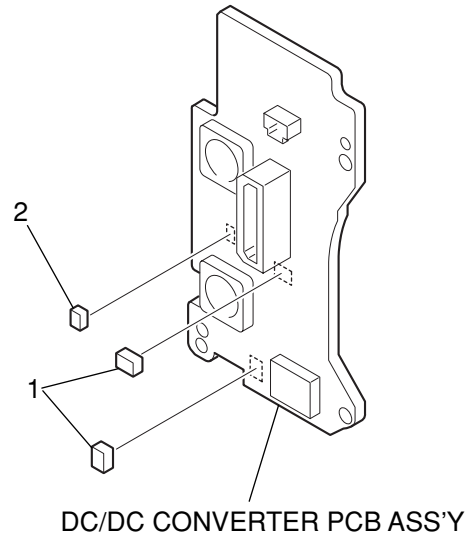
# BATTERY BOX UNIT SECTION



## PARTS LIST

SYMBOL	PARTS NO.	CLASS	QTY	DESCRIPTION	REMARKS
1	CD1-4781-000	C	1	SPRING, CF CLIPPING 1	
2	CD1-4795-000	C	1	COVER, LEAF SW	
3	CL1-1107-000	C	1	LEAF SW UNIT	
4	CD1-4796-000	C	1	HOLDER, R/C	
5	CD1-4299-000	C	1	HOLDER, SLT	
6	CM1-1567-000	C	1	HV MODULE UNIT	
7	XA4-5170-307	F	1	SCREW	
8	XA4-9170-359	F	5	SCREW	

# Fuse

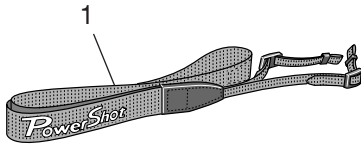


## PARTS LIST

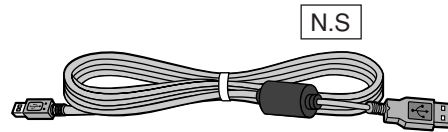
SYMBOL	PARTS NO.	CLASS	QTY	DESCRIPTION	REMARKS
1	CY4-6073-000	C	2	FUSE, DAITO KMC20	F11, F12
2	CY4-6074-000	C	1	FUSE, MATSU. DENKI UNHS206	F13

# Accessories-1

**Neck Strap  
NS-DC1**



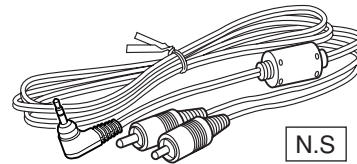
**USB Interface Cable  
IFC-300PCU**



**Lens Cap**



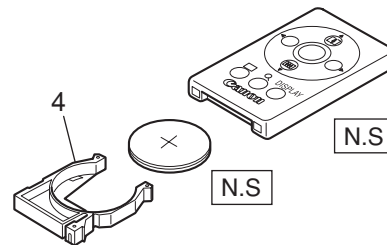
**AV Cable AVC-DC100**



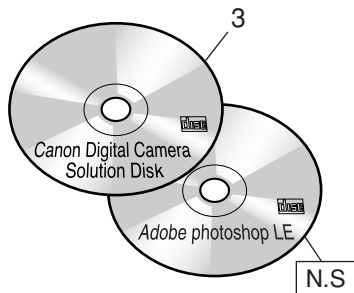
**CF Card FC-32M**



**Wireless Controller**



**Canon Digital Camera  
Solution Disk,  
Adobe photoshop LE**



**N.S** : N.S Stand for No Stock (Product available)

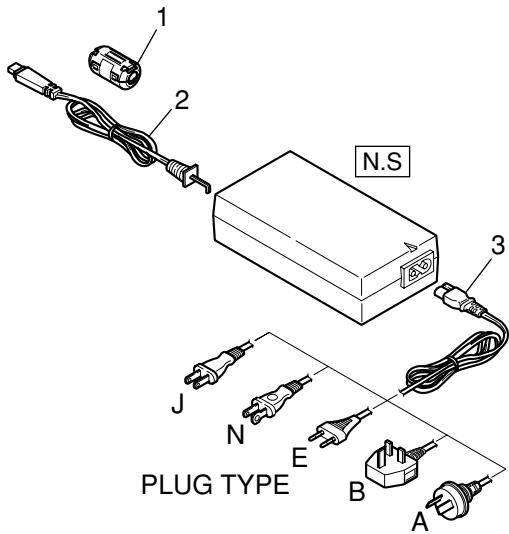


## PARTS LIST

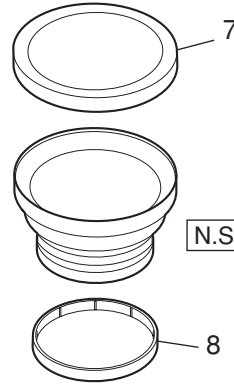
SYMBOL	PARTS NO.	CLASS	QTY	DESCRIPTION	REMARKS
1	C84-1129-000	B	1	STRAP, NECK	
2	C84-1127-000	B	1	LENS CAP UNIT	
3	C84-1132-000	S	1	CD-ROM, SOLUTION VER.11 (J/E)	FOR JAPAN, ASIA, AUSTRALIA
	C84-1138-000	S	1	CD-ROM, SOLUTION VER.11 (E/F/S)	FOR USA, CANADA
	C84-1145-000	S	1	CD-ROM, SOLUTION VER.11 (J/E/C)	FOR ASIA, AUSTRALIA
4	CY1-6074-000	B	1	HOLDER, BATTERY	

# Accessories-2

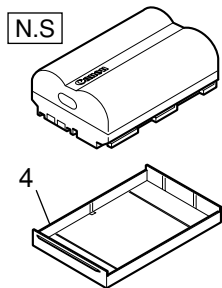
## Compact Power Adapter CA-560



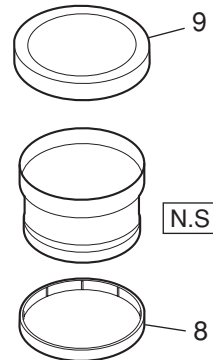
## Wide Converter WC-DC58N



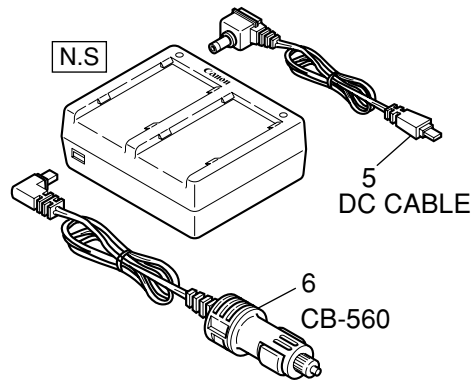
## Battery Pack BP-511



## Tele Converter TC-DC58N



## Charger Adapter/Car Battery Cable Kit CR-560

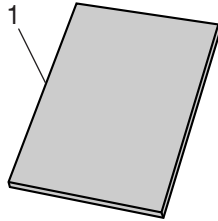


## PARTS LIST

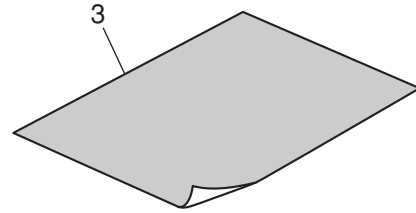
SYMBOL	PARTS NO.	CLASS	QTY	DESCRIPTION	REMARKS
1	D89-0900-000	C	1	CORE, FERRITE	
2	DY4-4763-000	C	1	CORD, DC	
3	D82-0641-000	C	1	CABLE, AC (J)	FOR JAPAN
	D82-0642-000	C	1	CABLE, AC (N)	FOR USA, CANADA
	D82-0643-000	C	1	CABLE, AC (E)	FOR EUROPE, ASIA
	D82-0644-000	C	1	CABLE, AC (B)	FOR ASIA
	D82-0645-000	C	1	CABLE, AC (A)	FOR AUSTRALIA
4	DY1-8242-000	C	1	COVER, TERMINAL BP-511/BP522	
5	DY1-8244-000	C	1	DC CABLE	
6	DY1-8243-000	C	1	CAR BATTERY CABLE CB-560	
7	CD1-4929-000	B	1	CAP, FRONT	
8	CD1-4931-000	B	1	CAP, REAR	
9	CD1-4933-000	B	1	CAP, FRONT	

## Accessories-3

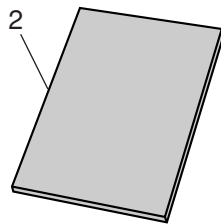
**Camera User Guide**



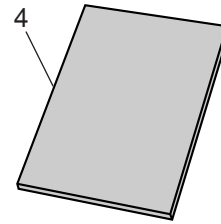
**System Map**



**Software Starter Guide**



**Quick Start Guide**

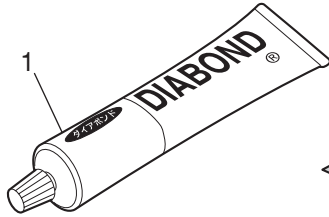


## PARTS LIST

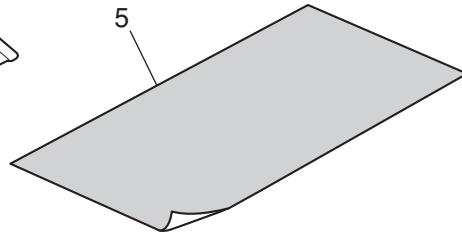
SYMBOL	PARTS NO.	CLASS	QTY	DESCRIPTION	REMARKS
1	CDI-E067-000	S	1	I.BOOK (E) PS G3	FOR USA, CANADA, ASIA, AUSTRALIA
	CDI-F056-000	S	1	I.BOOK (F) PS G3	FOR CANADA
	CDI-J058-000	S	1	I.BOOK (J) PS G3	FOR JAPAN
	CDI-S057-000	S	1	I.BOOK (S) PS G3	FOR USA
2	CDI-E071-000	S	1	SOFTWARE GUIDE (E) VER.11	FOR USA, CANADA, ASIA, AUSTRALIA
	CDI-F060-000	S	1	SOFTWARE GUIDE (F) VER.11	FOR CANADA
	CDI-J062-000	S	1	SOFTWARE GUIDE (J) VER.11	FOR JAPAN
	CDI-S061-000	S	1	SOFTWARE GUIDE (S) VER.11	FOR USA
3	CDI-E068-000	S	1	SYSTEM MAP (E) PS G3	FOR USA, CANADA, ASIA, AUSTRALIA
	CDI-F057-000	S	1	SYSTEM MAP (F) PS G3	FOR CANADA
	CDI-J059-000	S	1	SYSTEM MAP (J) PS G3	FOR JAPAN
	CDI-S058-000	S	1	SYSTEM MAP (S) PS G3	FOR USA
4	CDI-E069-000	S	1	QUICK START GUIDE (E)	FOR USA, CANADA, ASIA, AUSTRALIA
	CDI-F058-000	S	1	QUICK START GUIDE (F)	FOR CANADA
	CDI-J060-000	S	1	QUICK START GUIDE (J)	FOR JAPAN
	CDI-S059-000	S	1	QUICK START GUIDE (S)	FOR USA

# Service Tools

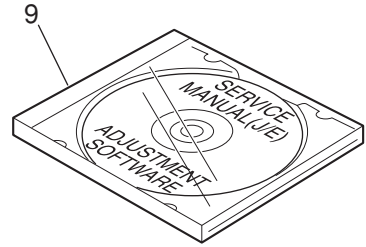
**DIA BOND No.1663G**



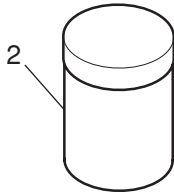
**18% Gray Chart**



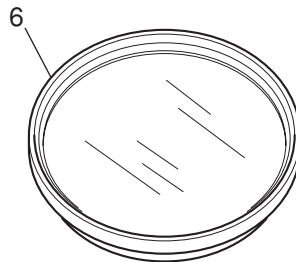
**Service Manual & Adjustment Software CD-ROM**



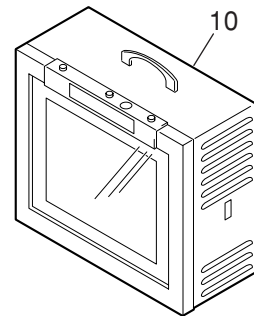
**LOGENEST RAMBDA A-74**



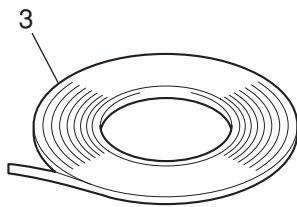
**C-12 Filter**



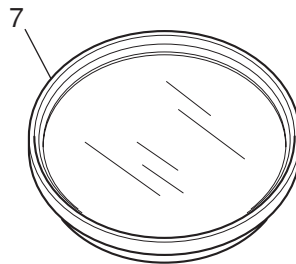
**Color Viewer (5600° K)**



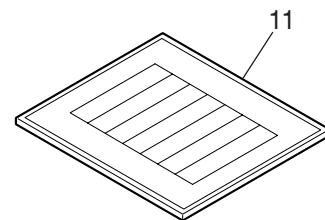
**Adhesive Tape SONY T4000**



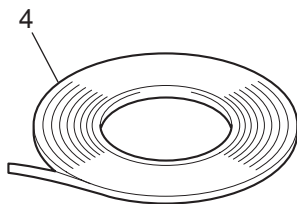
**W-10 Filter**



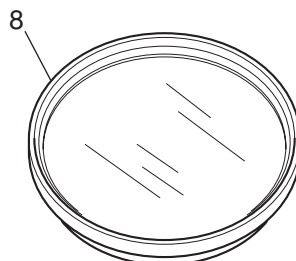
**Standard Color Bar Chart**



**Adhesive Tape 3M No.56**



**FL-W Filter**



## PARTS LIST

SYMBOL	PARTS NO.	CLASS	QTY	DESCRIPTION	REMARKS
1	CY9-8129-000	Y	1	BOND, DIA BOND NO.1663G	200ml
2	CY9-8102-000	Y	1	LUBE, LOGENEST RAMBDA A-74	80g
3	CY4-6012-000	Y	1	ADHESIVE TAPE, SONY T4000	6mm x 50m roll
4	CY4-6018-000	Y	1	ADHESIVE TAPE, 3M NO.56	
5	CY4-6016-000	Y	1	CHART, 18% GRAY	1.5m x 3m
6	DY9-2029-000	Y	1	FILTER, C-12	
7	CY9-1543-000	Y	1	FILTER, W-10	
8	CY9-1550-000	Y	1	FILTER, FL-W	
9	CY8-4381-031	Y	1	CD-ROM, SERVICE MANUAL(J/E)	including Adjustment Software
10	DY9-2039-100	Y	1	COLOR VIEWER 5600K	
11	DY9-2002-000	Y	1	COLOR BAR CHART	