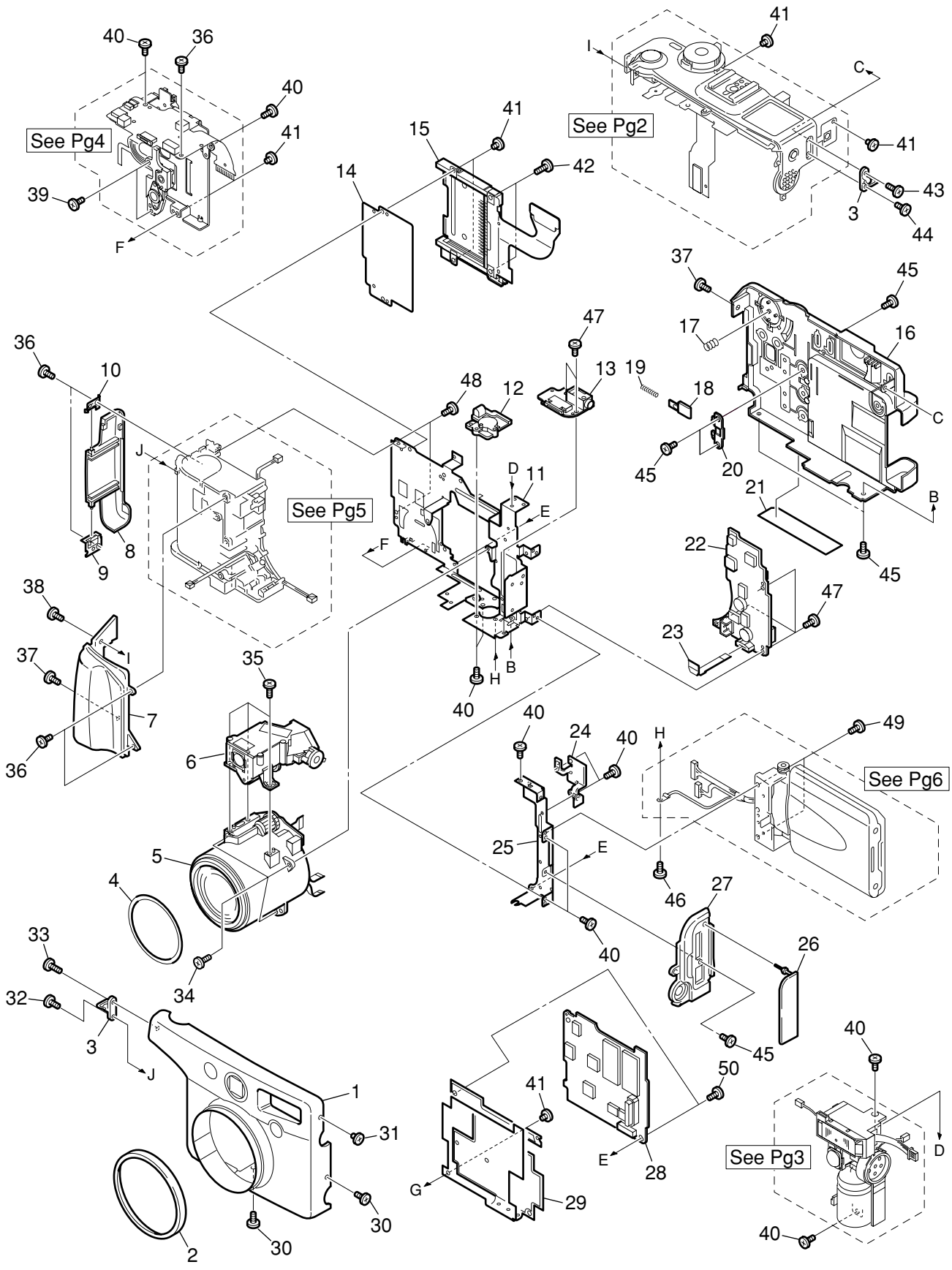


CHAPTER 4. PARTS CATALOG

CONTENTS

PowerShot G2	
Main parts/units -----	Pg1
TOP UNIT -----	Pg2
FLASH/SPEAKER UNIT -----	Pg3
REAR PLATE UNIT -----	Pg4
BATTERY BOX UNIT -----	Pg5
LCD/HINGE UNIT -----	Pg6
Accessories-1 -----	Pg7
Accessories-2 -----	Pg8
Accessories-3 -----	Pg9
Service Tools-----	Pg10
Fuse-----	Pg11

Main parts/units



PARTS LIST

SYMBOL	PARTS NO.	CLASS	QTY	DESCRIPTION	REMARKS
1	CM1-1258-000	B	1	FRONT COVER UNIT	
2	CD1-3999-000	B	1	RING, FRONT	
3	CL1-1049-000	B	2	STRAP RING UNIT	
4	CD1-3268-010	B	1	PLATE, LENS	
5	CY1-6114-000	B	1	OPTICAL UNIT	
6	CY1-6115-000	B	1	FINDER UNIT	
7	CD1-3980-000	B	1	COVER, GRIP	
8	CD1-3988-000	B	1	COVER, CF	
9	CD1-3230-000	C	1	SPRING, CF CLICKING 2	
10	CD1-3229-000	C	1	SPRING, CF CLICKING 1	
11	CD1-3232-010	C	1	FRAME, MAIN	
12	CD1-3255-000	C	1	BASE, TRIPOD	
13	CM1-1075-000	C	1	PCB ASS'Y, JACK	
14	CD1-3231-000	C	1	PLATE, CF	
15	CM1-1077-000	C	1	CF UNIT	
16	CM1-1256-000	B	1	REAR COVER UNIT	
17	CS8-5211-000	C	1	SPRING, SELECTOR	
18	CD1-3191-000	B	1	SLIDER, LCD LOCK	
19	CS8-5210-000	C	1	SPRING, LCD LOCK	
20	CD1-3192-000	C	1	STOPPER, LCD LOCK	
21	CY1-6117-000	B	1	PLATE, BODY NUMBER	FOR JAPAN
	CY1-6118-000	B	1	PLATE, BODY NUMBER	FOR USA/CANADA
	CY1-6119-000	B	1	PLATE, BODY NUMBER	FOR EUROPE/OTH
22	CM1-1076-000	C	1	PCB ASS'Y, DC/DC CONVERTER	
23	CK1-0518-008	C	1	FPC, VID	
24	CD1-4010-000	C	1	FRAME, MINI	
25	CD1-3253-000	C	1	FRAME, SUB	
26	CD1-3991-000	B	1	COVER, JACK	
27	CD1-3986-000	B	1	COVER, SIDE	
28	CM1-1250-000	C	1	PCB ASS'Y, MAIN	
29	CD1-3197-000	C	1	SHEET, MAIN	
30	CD1-4031-000	F	2	SCREW	
31	CD1-4032-000	F	1	SCREW	
32	FC3-0140-000	F	1	SCREW	
33	CD1-4030-000	F	1	SCREW	
34	XA1-7170-407	F	3	SCREW	
35	XA4-9170-457	F	3	SCREW	
36	XA4-9170-359	F	5	SCREW	
37	CD1-4034-000	F	2	SCREW	
38	CD1-4023-000	F	1	SCREW	
39	XA4-9170-309	F	2	SCREW	
40	XA1-7170-307	F	11	SCREW	
41	XA1-7170-167	F	6	SCREW	
42	XA4-9170-609	F	2	SCREW	
43	CD1-4029-000	F	1	SCREW	
44	CD1-4025-000	F	1	SCREW	
45	CD1-4033-000	F	6	SCREW	
46	CD1-4024-000	F	1	SCREW	
47	CB1-1998-000	F	5	SCREW	
48	XA4-9170-409	F	2	SCREW	
49	XA1-7170-457	F	2	SCREW	
50	FC2-8736-000	F	2	SCREW	

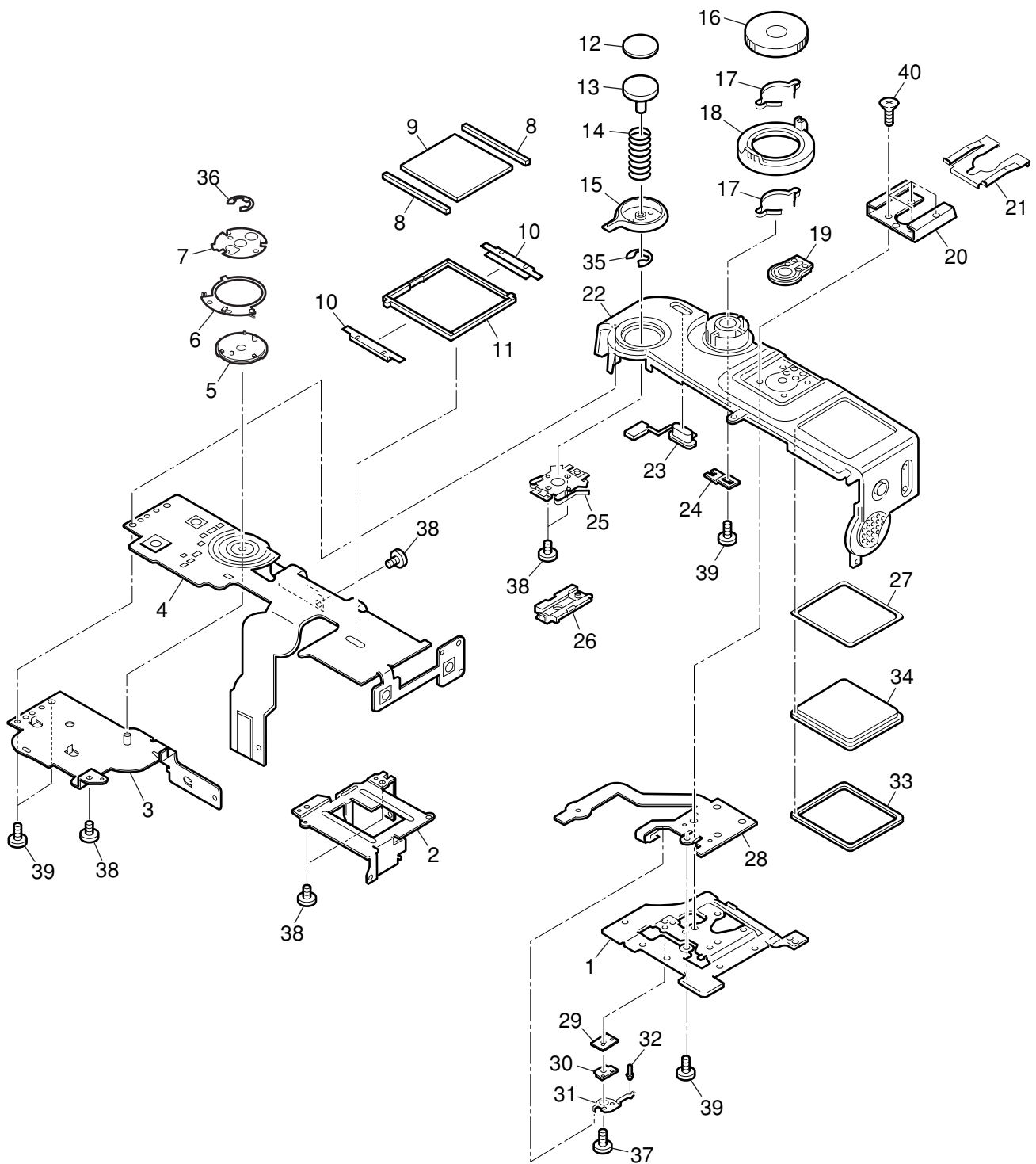
Category of CLASS

- A: Frequency of use: High
- B: Frequency of use: Middle
- C: Frequency of use: Low
- D: Safety-related critical parts
- E: Consumable parts
- F: Standard screws and washers
- S: Supply of the parts is limited

CLASS凡例

- A: 使用頻度 高
- B: 使用頻度 中
- C: 使用頻度 低
- D: 安全規格部品
- E: 消耗部品
- F: 標準ネジ、ワッシャー
- S: 供給制限品

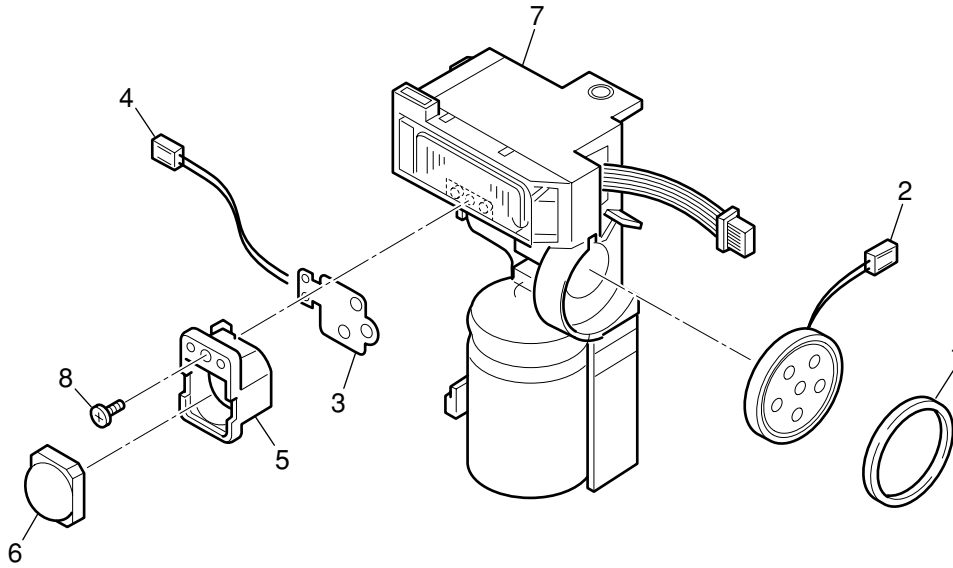
TOP UNIT



PARTS LIST

SYMBOL	PARTS NO.	CLASS	QTY	DESCRIPTION	REMARKS
1	CD1-4018-000	B	1	FRAME, ACCESSORY SHOE	
2	CD1-4012-000	C	1	FRAME, B/W LCD	
3	CL1-1005-000	C	1	FRAME, MODE DIAL	
4	CM1-1080-000	C	1	TOP MODULE UNIT	
5	CL1-1009-000	C	1	BRUSH, MODE DIAL	
6	CL1-1008-000	C	1	BRUSH, MAIN	
7	CD1-3234-000	C	1	PLATE, MODE BASE	
8	CD1-3245-000	C	2	RUBBER, CONTACT	
9	CK9-0318-000	C	1	PANEL, B/W LCD	
10	CD1-3246-000	C	2	CLIP, B/W LCD	
11	CD1-3248-000	C	1	HOLDER, B/W LCD	
12	CD1-3251-000	B	1	CAP, RELEASE	
13	CD1-3250-000	C	1	BUTTON, RELEASE	
14	CS2-5656-000	C	1	SPRING, RELEASE	
15	CD1-4014-000	B	1	LEVER, ZOOM	
16	CD1-4009-000	B	1	DIAL, MODE	
17	CD1-4006-000	B	2	SPRING, MODE CLICK	
18	CD1-4008-000	B	1	DIAL, MAIN	
19	CB1-6258-000	B	1	ACCESSORY CONTACT UNIT	
20	CB1-3390-000	C	1	SHOE, ACCESSORY	
21	CD1-4026-000	C	1	SPRING, ACCESSORY SHOE	
22	CM1-1263-000	B	1	TOP COVER UNIT	
23	CD1-4013-000	B	1	BUTTON, SELF TIMER	
24	CB2-0574-000	C	1	PLATE, MODE CONNECTIVE	
25	CD1-3260-000	C	1	SPRING, ZOOM	
26	CL1-1006-000	C	1	BRUSH, ZOOM	
27	CD1-4027-000	C	1	SEAL, DUST COVER	
28	CK1-0519-000	C	1	FPC, ACCESSORY SHOE	
29	CD1-3223-000	C	1	BASE, ACCESSORY DETECT 1	
30	CD1-3226-000	C	1	BASE, ACCESSORY DETECT 2	
31	CD1-3225-000	C	1	PLATE, ACCESSORY DETECT	
32	CD1-3224-000	C	1	PIN, ACCESSORY SHOE	
33	CD1-4015-000	C	1	ADHESIVE TAPE, B/W WINDOW	
34	CD1-4011-000	B	1	WINDOW, B/W LCD	
35	XD2-1100-132	C	1	RING, E	
36	XD2-1100-172	C	1	RING, E	
37	XA1-7170-307	F	1	SCREW	
38	XA1-7170-167	F	6	SCREW	
39	XA4-9170-359	F	4	SCREW	
40	XA1-3170-407	F	4	SCREW	

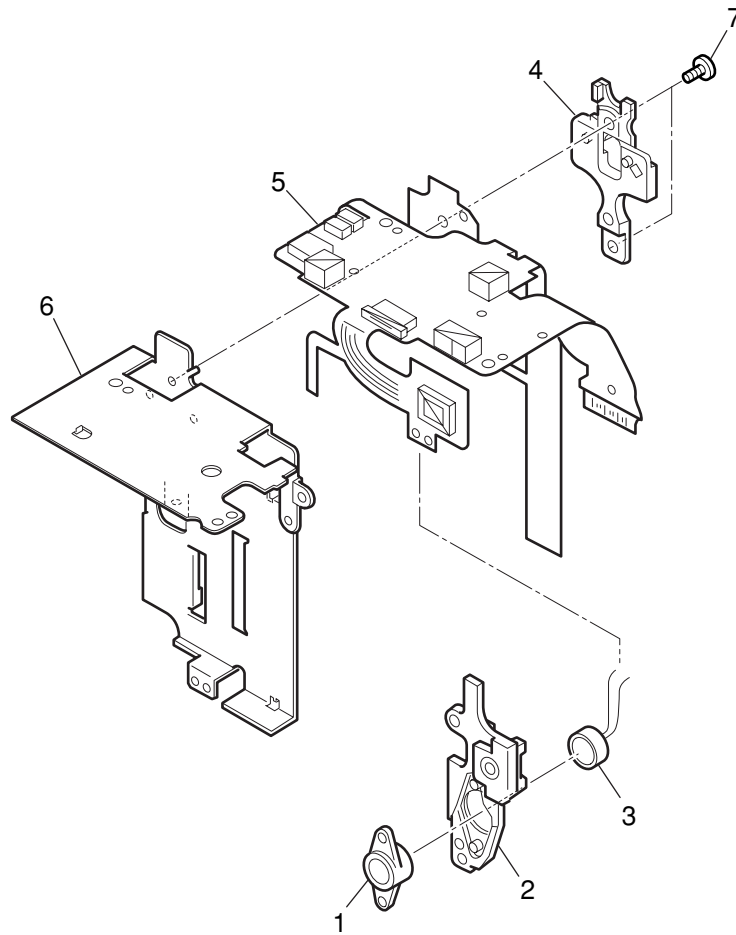
FLASH/SPEAKER UNIT



PARTS LIST

SYMBOL	PARTS NO.	CLASS	QTY	DESCRIPTION	REMARKS
1	CD1-3281-000	C	1	BUSH, SPEAKER	
2	CM1-1267-000	C	1	SPEAKER UNIT	
3	CM1-1059-000	C	1	FPC, AF LED	
4	CK2-1168-000	C	1	LEAD, AF LED	
5	CD1-3211-000	C	1	HOLDER, AF LED	
6	YN2-1146-000	C	1	LENS, AF LED	
7	CM1-1060-000	C	1	FLASH UNIT	
8	XA4-9170-359	F	1	SCREW	

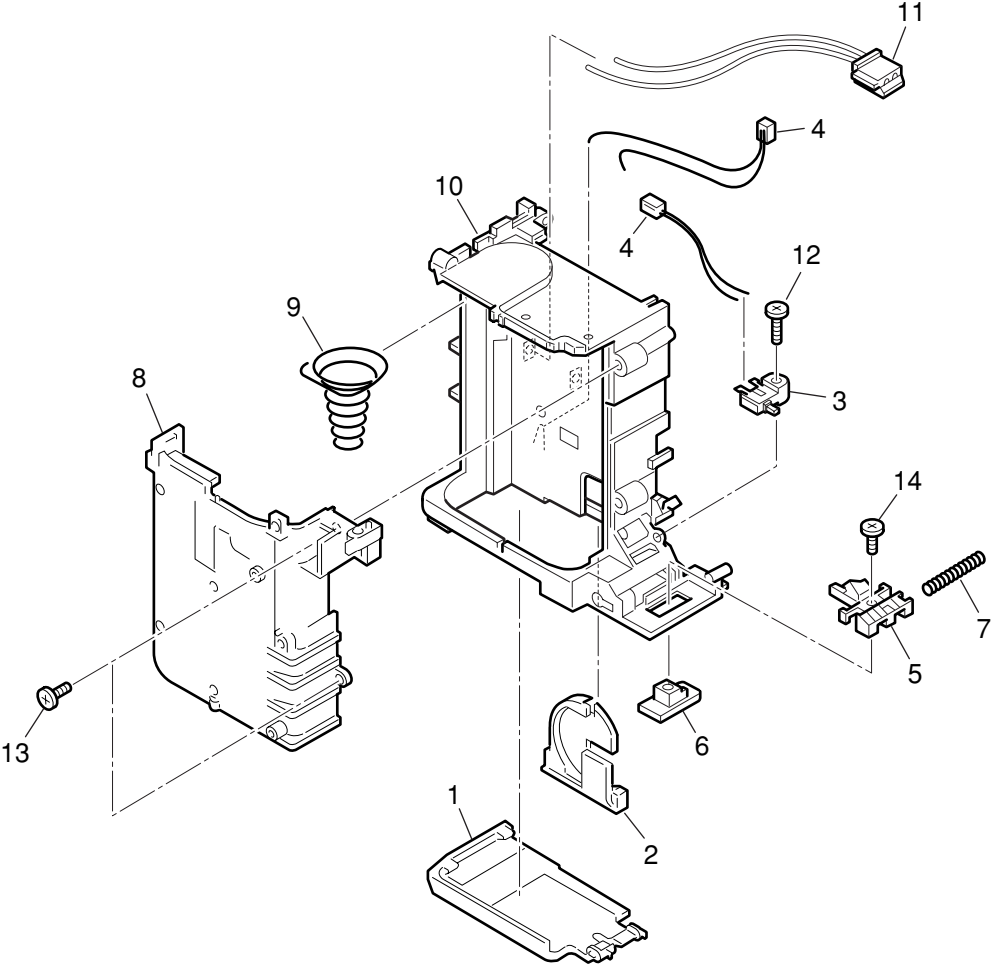
REAR PLATE UNIT



PARTS LIST

SYMBOL	PARTS NO.	CLASS	QTY	DESCRIPTION	REMARKS
1	CD1-3213-000	C	1	HOLDER, MICROPHONE	
2	CD1-3212-000	C	1	COVER, FLASH IC	
3	CM1-1056-000	C	1	MICROPHONE UNIT	
4	CD1-3187-000	C	1	BASE, SEL.BUTTON	
5	CM1-1083-000	C	1	PCB ASS'Y, BUTTON	
6	CD1-3186-000	C	1	FRAME, REAR	
7	XA1-7170-307	F	2	SCREW	

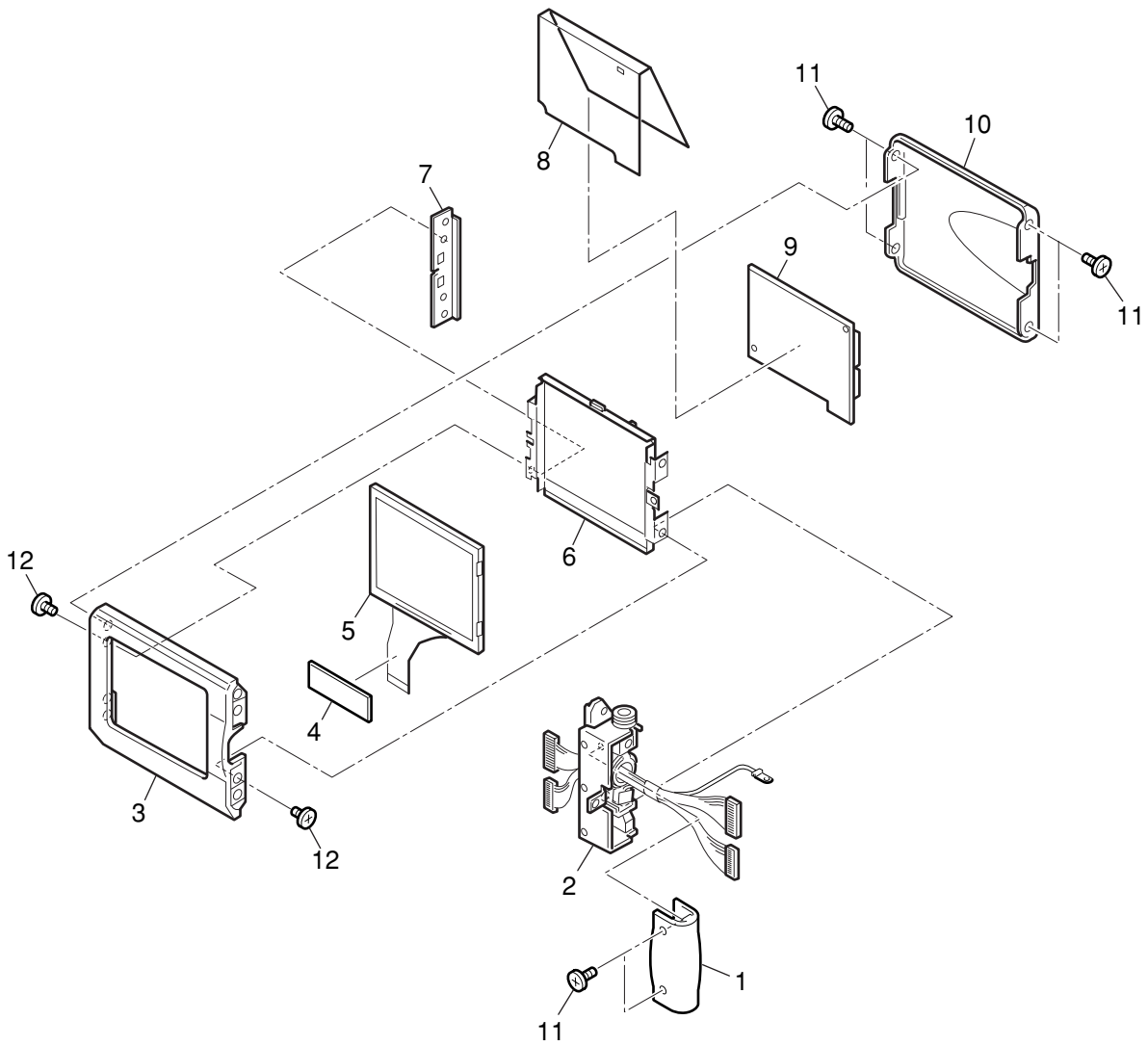
BATTERY BOX UNIT



PARTS LIST

SYMBOL	PARTS NO.	CLASS	QTY	DESCRIPTION	REMARKS
1	CD1-3987-000	B	1	COVER, BATTERY	
2	CD1-3264-000	B	1	HOLDER, DATE BATTERY	
3	WC2-0102-000	C	1	SWITCH, BATTERY LOCK	
4	CK2-1169-000	C	2	LEAD, SUB	
5	CD1-3227-000	C	1	LOCK, BATTERY COVER	
6	CD1-4021-000	B	1	OPENER, BATTERY COVER	
7	FS4-2684-000	C	1	SPRING, BATTERY LOCK	
8	CD1-3985-000	C	1	COVER, BATTERY BOX	
9	CS8-5214-000	C	1	SPRING, BATTERY EJECT	
10	CY1-6116-000	C	1	BATTERY BOX MAIN UNIT	
11	CK2-1167-000	C	1	LEAD, POWER	
12	XA4-9170-359	F	1	SCREW	
13	XA4-9170-609	F	2	SCREW	
14	XA4-9200-657	F	1	SCREW	

LCD/HINGE UNIT

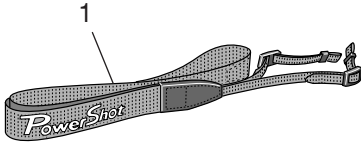


PARTS LIST

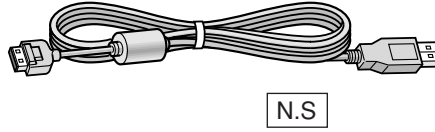
SYMBOL	PARTS NO.	CLASS	QTY	DESCRIPTION	REMARKS
1	CD1-4020-000	C	1	COVER, HINGE	
2	CM1-1253-000	C	1	HINGE UNIT	
3	CD1-3982-000	B	1	COVER, LCD FRAME	
4	CD1-4078-000	C	1	SPACER, LCD FPC	
5	WG2-5219-001	C	1	PANEL, LCD (SELECTION)	
	WG2-5219-000	C	1	PANEL, LCD	
6	CM1-1252-000	C	1	BACK LIGHT UNIT	
7	CD1-3995-000	C	1	PLATE, NUT	
8	CD1-3996-000	C	1	SHEET, LCD	
9	CM1-1251-000	C	1	PCB ASS'Y, LCD	
10	CD1-3981-000	B	1	COVER, LCD TOP	
11	CD1-4033-000	F	4	SCREW	
12	XA1-7170-207	F	2	SCREW	

Accessories-1

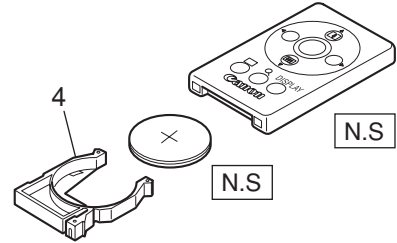
**Neck Strap
NS-DC300**



**USB Interface Cable
IFC-200PCU**



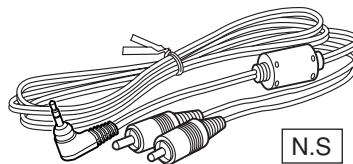
Wireless Controller



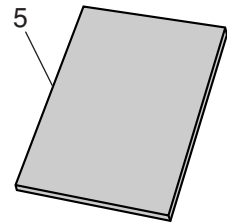
Lens Cap



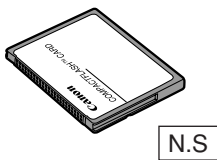
AV Cable AVC-DC100



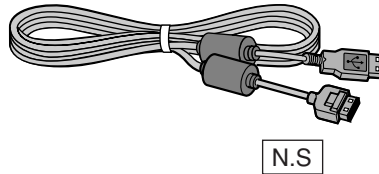
Camera User Guide



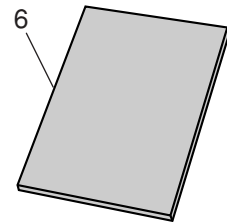
CF Card FC-32M



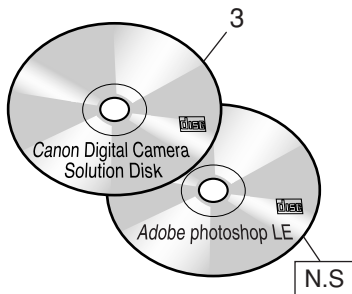
**Direct Interface Cable
DIF-200**



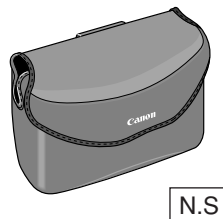
Software Starter Guide



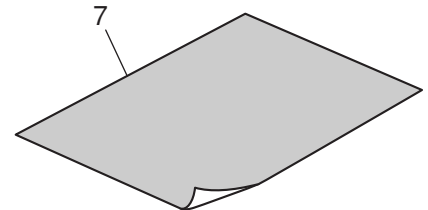
**Canon Digital Camera
Solution Disk,
Adobe photoshop LE**



Soft Case SC-PS700



System Map



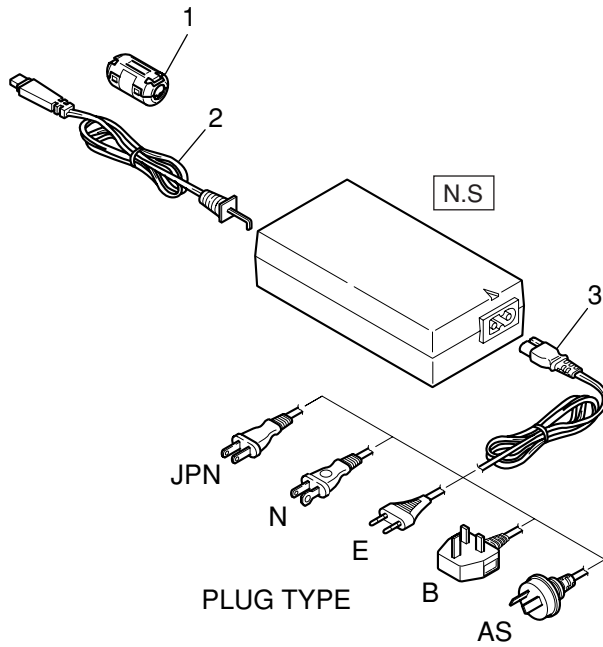
N.S : N.S Stand for No Stock (Product available)

PARTS LIST

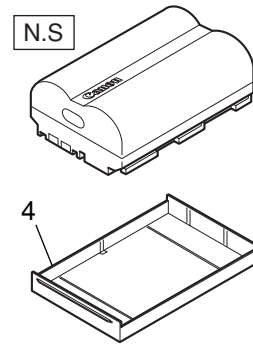
SYMBOL	PARTS NO.	CLASS	QTY	DESCRIPTION	REMARKS
1	C84-1084-000	B	1	STRAP, NECK	
2	C84-1083-000	B	1	LENS CAP UNIT	
3	CY1-6122-000	S	1	CD-ROM, SOLUTION DISC VER.6.0	
4	CY1-6074-000	B	1	HOLDER, BATTERY	
5	CDI-E022-010	S	1	I.BOOK (E) PS G2	FOR USA, CANADA, ASIA, AUSTRALIA
	CDI-F020-010	S	1	I.BOOK (F) PS G2	FOR CANADA
	CDI-J021-010	S	1	I.BOOK (J) PS G2	FOR JAPAN
	CDI-S018-010	S	1	I.BOOK (S) PS G2	FOR USA
6	CDI-E024-010	S	1	SOFTWARE GUIDE (E) FOR VER.6.0	FOR USA, CANADA, ASIA, AUSTRALIA
	CDI-F022-010	S	1	SOFTWARE GUIDE (F) FOR VER.6.0	FOR CANADA
	CDI-J023-010	S	1	SOFTWARE GUIDE (J) FOR VER.6.0	FOR JAPAN
	CDI-S020-010	S	1	SOFTWARE GUIDE (S) FOR VER.6.0	FOR USA
7	CDI-E023-010	S	1	SYSTEM MAP (E) PS G2	FOR USA, CANADA, ASIA, AUSTRALIA
	CDI-F021-010	S	1	SYSTEM MAP (F) PS G2	FOR CANADA
	CDI-J022-010	S	1	SYSTEM MAP (J) PS G2	FOR JAPAN
	CDI-S019-010	S	1	SYSTEM MAP (S) PS G2	FOR USA

Accessories-2

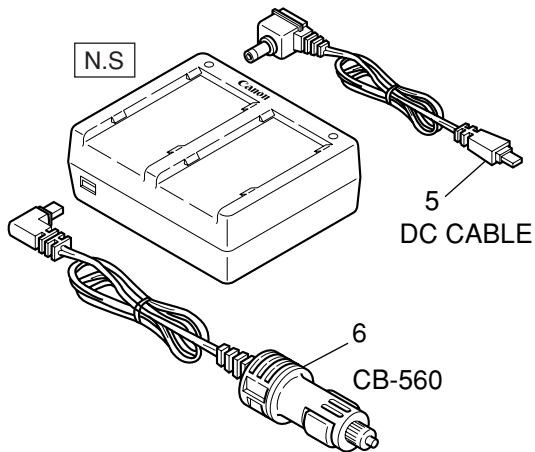
Compact Power Adapter CA-560



Battery Pack BP-511



Charger Adapter/Car Battery Cable Kit CR-560

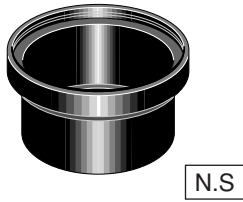


PARTS LIST

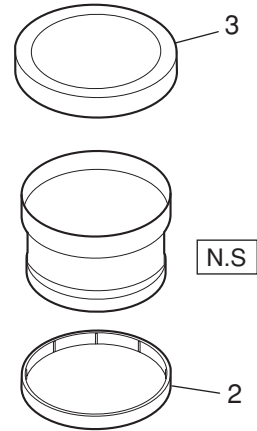
SYMBOL	PARTS NO.	CLASS	QTY	DESCRIPTION	REMARKS
1	D89-0900-000	C	1	CORE, FERRITE	
2	DY4-4763-000	C	1	CORD, DC	
3	D82-0641-000	C	1	CORD, AC (DOM)	JPN TYPE
	D82-0642-000	C	1	CORD, AC (N)	N TYPE
	D82-0643-000	C	1	CORD, AC (E)	E TYPE
	D82-0644-000	C	1	CORD, AC (B)	B TYPE
	D82-0645-000	C	1	CORD, AC (AS)	AS TYPE
4	DY1-8242-000	C	1	COVER, TERMINAL BP-511/BP522	
5	DY1-8244-000	C	1	DC CABLE	
6	DY1-8243-000	C	1	CAR BATTERY CABLE CB-560	

Accessories-3

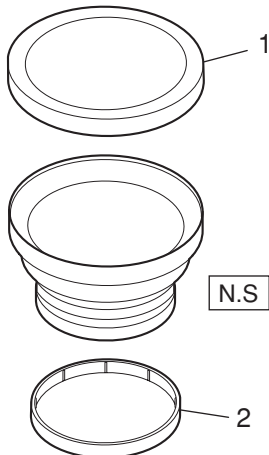
**Conversion Lens Adapter
LA-DC58**



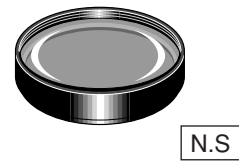
Tele Converter TC-DC58



Wide Converter WC-DC58



Close-up Lens 250D (58mm)



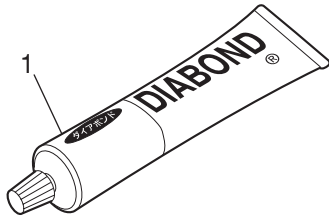
N.S : N.S Stand for No Stock (Product available)

PARTS LIST

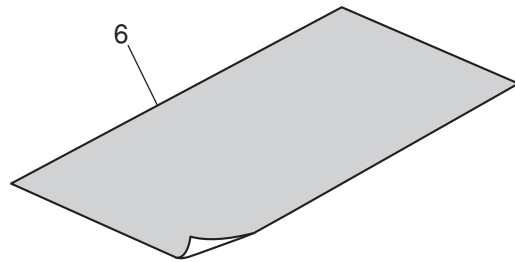
SYMBOL	PARTS NO.	CLASS	QTY	DESCRIPTION	REMARKS
1	CY1-6071-000	B	1	CAP, FRONT	
2	CY1-6072-000	B	1	CAP, REAR	
3	CY1-6073-000	B	1	CAP, FRONT	

Service Tools

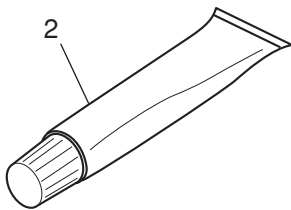
DIA BOND No.1663G



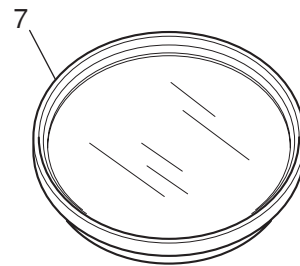
18% Gray Chart



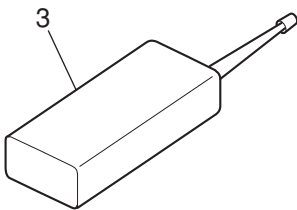
CEMEDINE SUPER X (B)



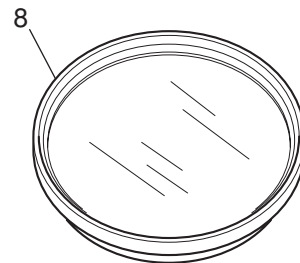
C-12 Filter



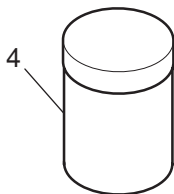
Three Bond 1401C



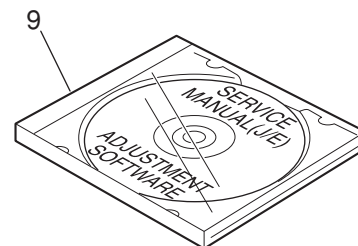
W-10 Filter



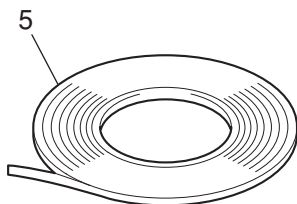
LOGENEST RAMBDA A-74



Service Manual & Adjustment Software CD-ROM



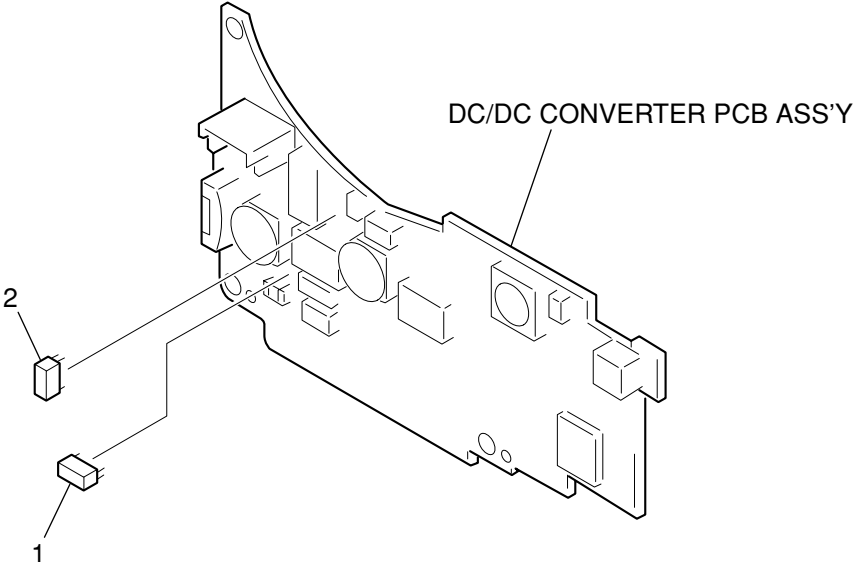
Adhesive Tape SONY T4000



PARTS LIST

SYMBOL	PARTS NO.	CLASS	QTY	DESCRIPTION	REMARKS
1	CY9-8129-000	Y	1	BOND, DIA BOND NO.1663G	200ml
2	CY9-8118-000	Y	1	BOND, CEMEDINE SUPER X 8008 BLACK	20ml
3	CY9-8011-000	Y	1	BOND, THREE BOND 1401C	200g
4	CY9-8102-000	Y	1	LUBE, LOGENEST RAMBDA A-74	80g
5	CY4-6012-000	Y	1	ADHESIVE TAPE, SONY T4000	6mm x 50m roll
6	CY4-6016-000	Y	1	CHART, 18% GRAY	1.5m x 3m
7	DY9-2029-000	Y	1	FILTER, C-12	
8	CY9-1543-000	Y	1	FILTER, W-10	
9	CY8-4373-031	Y	1	CD-ROM, SERVICE MANUAL(J/E)	including Adjustment Software

Fuse



PARTS LIST

SYMBOL	PARTS NO.	CLASS	QTY	DESCRIPTION	REMARKS
1	CY4-6069-000	C	1	FUSE, DAITO KE25	F01
2	CY4-6070-000	C	1	FUSE, DAITO KE32	F02