

Canon

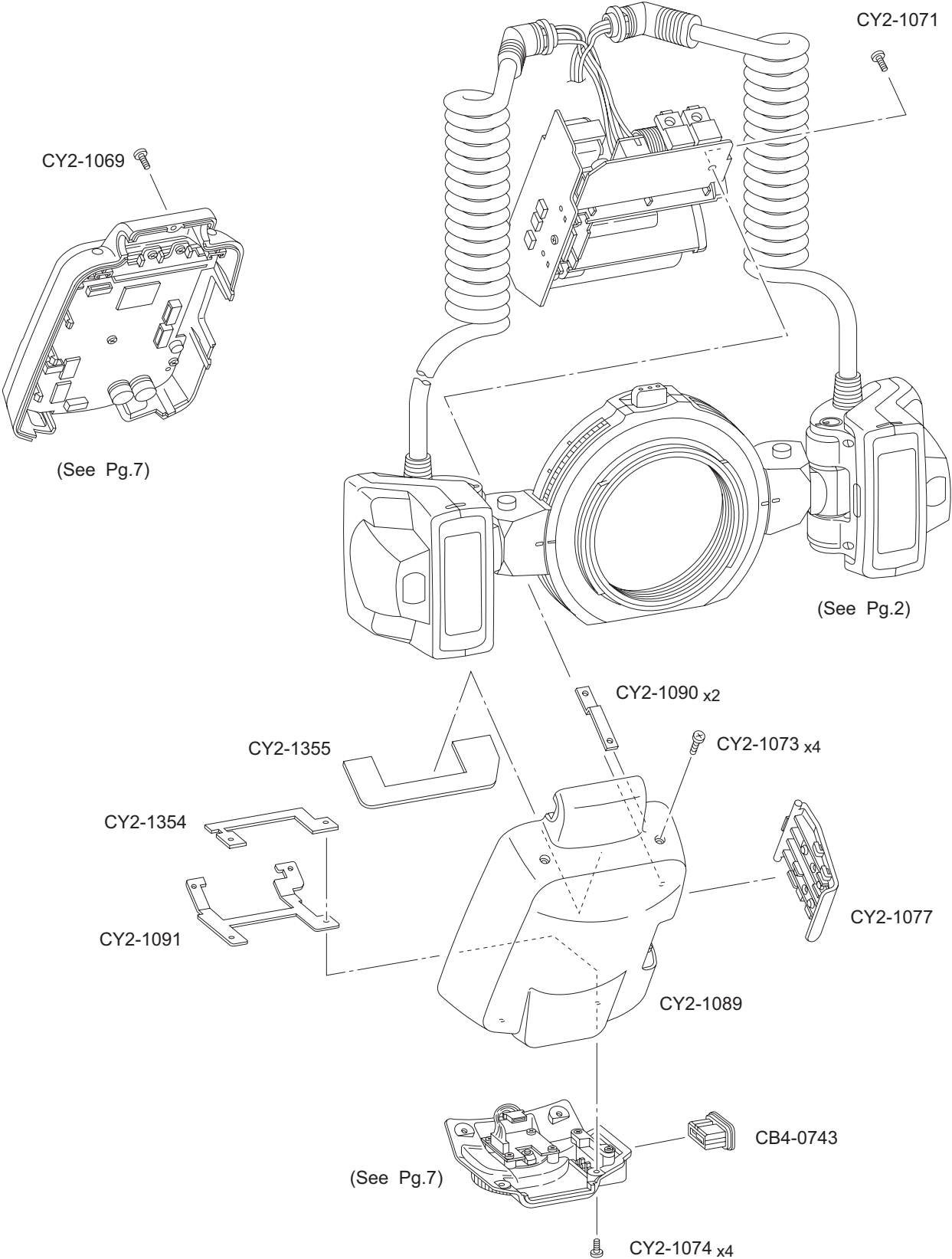
MACRO TWIN LITE MT-24EX

REF.NO. C50-0771

PARTS

CATALOG

CANON MACRO TWIN LITE MT-24EX

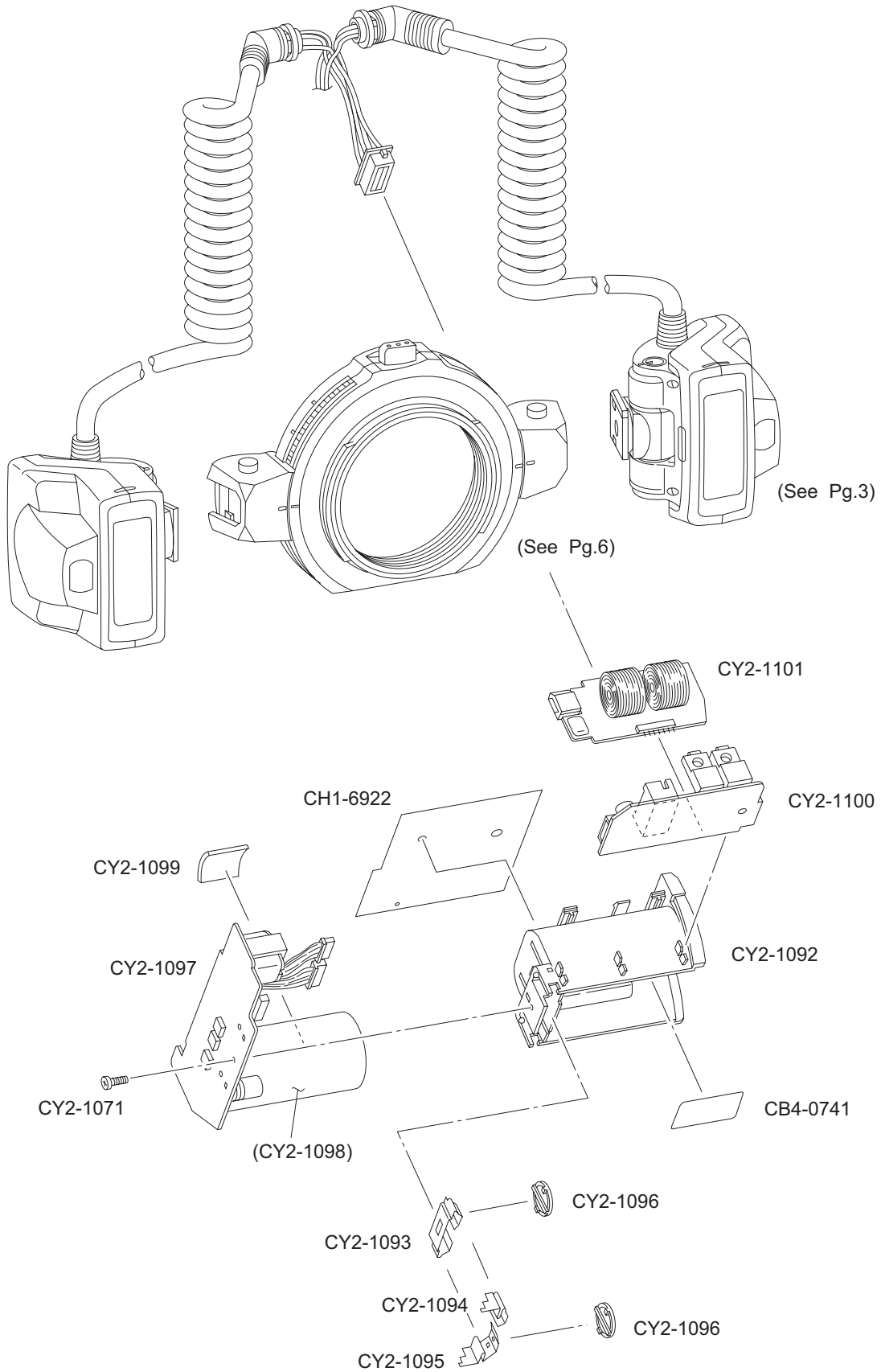


PARTS LIST

REF.No.C50-0771

NEW	PARTS No.	CLASS	QTY	DESCRIPTION	Page
	CB4-0743-000	D	1	CAP, DUST	1
	CY2-1069-000	F	1	SCREW	1
	CY2-1071-000	F	1	SCREW	1
	CY2-1073-000	F	4	SCREW	1
	CY2-1074-000	F	4	SCREW	1
	CY2-1077-000	C	1	COVER ASS'Y, BATTERY	1
	CY2-1089-000	C	1	COVER, FRONT	1
	CY2-1090-000	E	2	PLATE, JOINT (SMALL)	1
	CY2-1091-000	E	1	PLATE, JOINT (LARGE)	1
*	CY2-1354-000	C	1	SHEET, INSULATION (4)	1
*	CY2-1355-000	C	1	SHEET, INSULATION (5)	1

CANON MACRO TWIN LITE MT-24EX

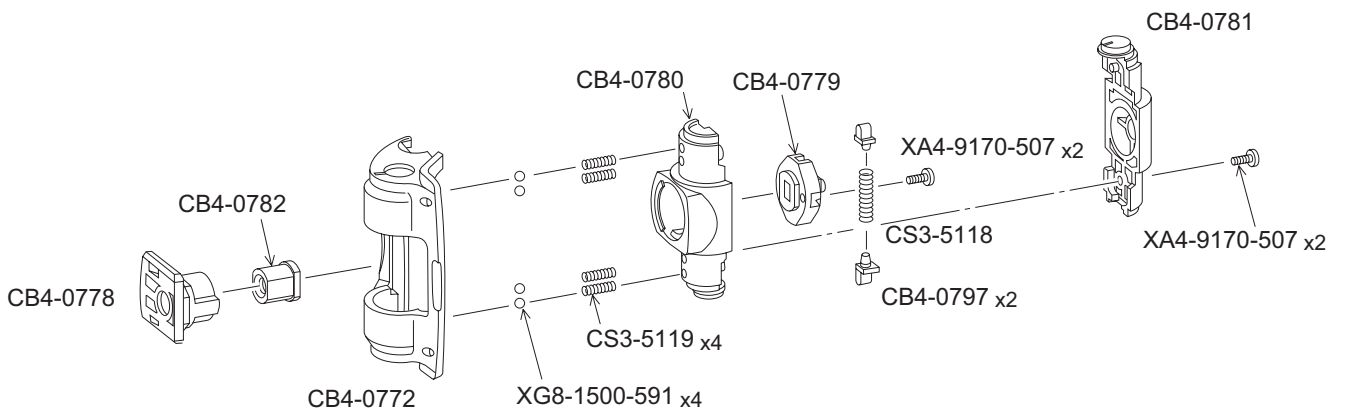
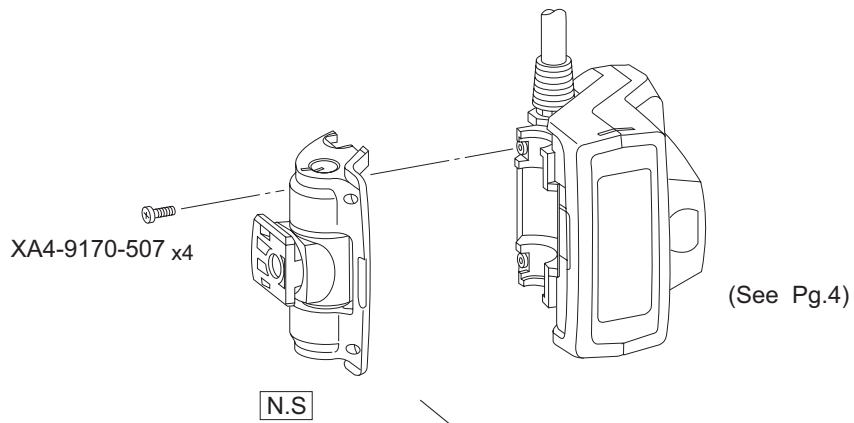


PARTS LIST

REF.No.C50-0771

NEW	PARTS No.	CLASS	QTY	DESCRIPTION	Page
	CB4-0741-000	D	1	SEAL, BATTERY INDEX	2
*	CH1-6922-000	C	1	SHEET, SHIELD	2
	CY2-1071-000	F	1	SCREW	2
	CY2-1092-000	D	1	CASE, BATTERY	2
	CY2-1093-000	E	1	CONTACT, BATTERY (LARGE)	2
	CY2-1094-000	E	1	CONTACT, BATTERY (SMALL/+)	2
	CY2-1095-000	E	1	CONTACT, BATTERY (SMALL/-)	2
	CY2-1096-000	E	2	RING, CONTACT (-)	2
	CY2-1097-000	D	1	PCB ASS'Y, B	2
	CY2-1098-000	D	1	CAPACITOR, MAIN AL-EL	2
	CY2-1099-000	D	1	SPONGE, CUSHION	2
	CY2-1100-000	D	1	PCB ASS'Y, HV	2
	CY2-1101-000	D	1	PCB ASS'Y, COIL	2

CANON MACRO TWIN LITE MT-24EX

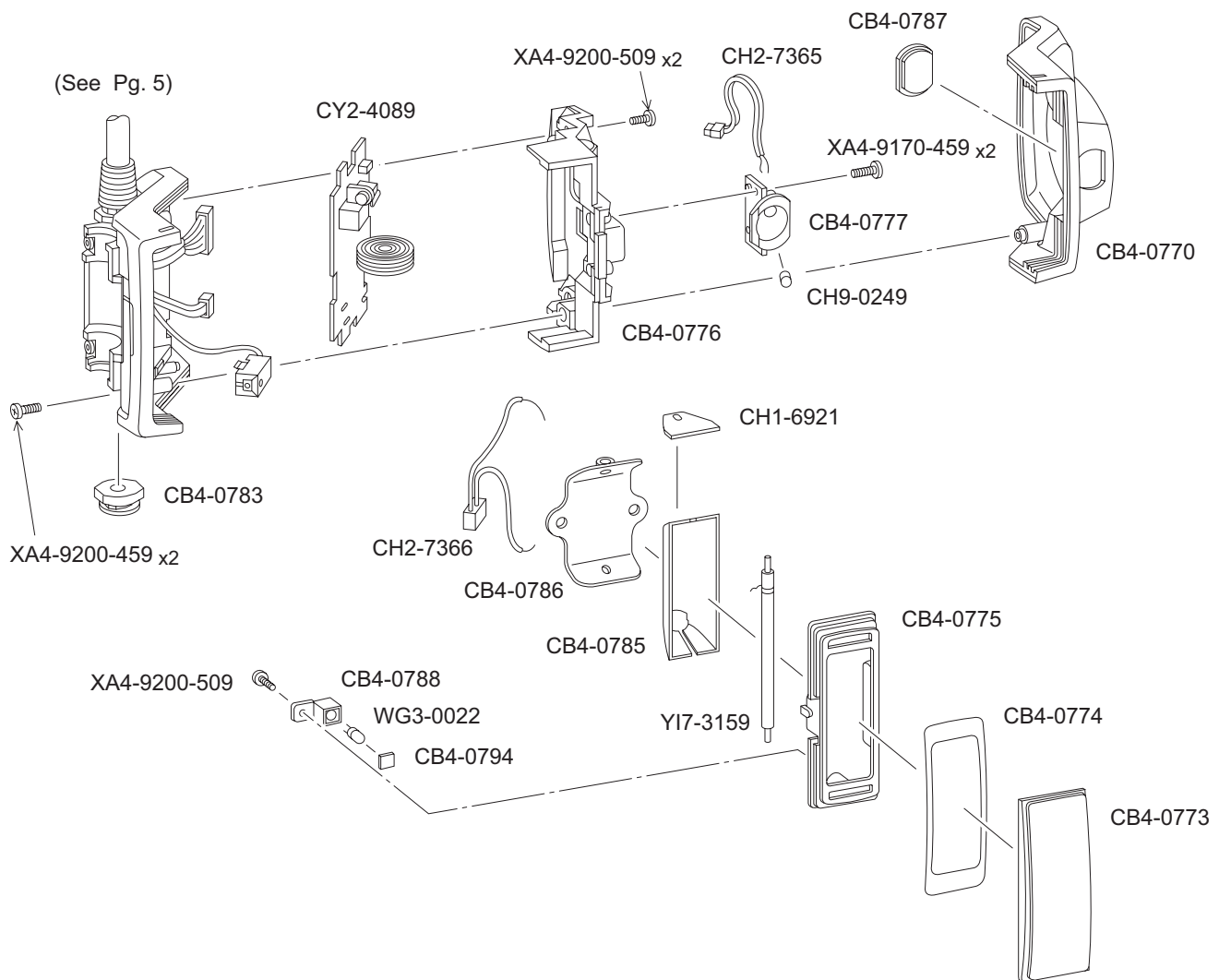


PARTS LIST

REF.No.C50-0771

NEW	PARTS No.	CLASS	QTY	DESCRIPTION	Page
*	CB4-0772-000	B	2	COVER, FLASH (BOTTOM)	3
*	CB4-0778-000	B	2	FOOT	3
*	CB4-0779-000	C	2	BASE, CLICK	3
*	CB4-0780-000	B	2	CASE, FOOT	3
*	CB4-0781-000	B	2	CAP, FOOT	3
*	CB4-0782-000	B	2	SOCKET, TRIPOD	3
*	CB4-0797-000	C	4	PIN, CLICK	3
*	CS3-5118-000	C	2	SPRING, COIL	3
*	CS3-5119-000	C	8	SPRING, COIL	3
*	XA4-9170-507	F	16	SCREW, CROSS-RECESS, PH	3
*	XG8-1500-591	C	8	BALL, STEEL	3

CANON MACRO TWIN LITE MT-24EX

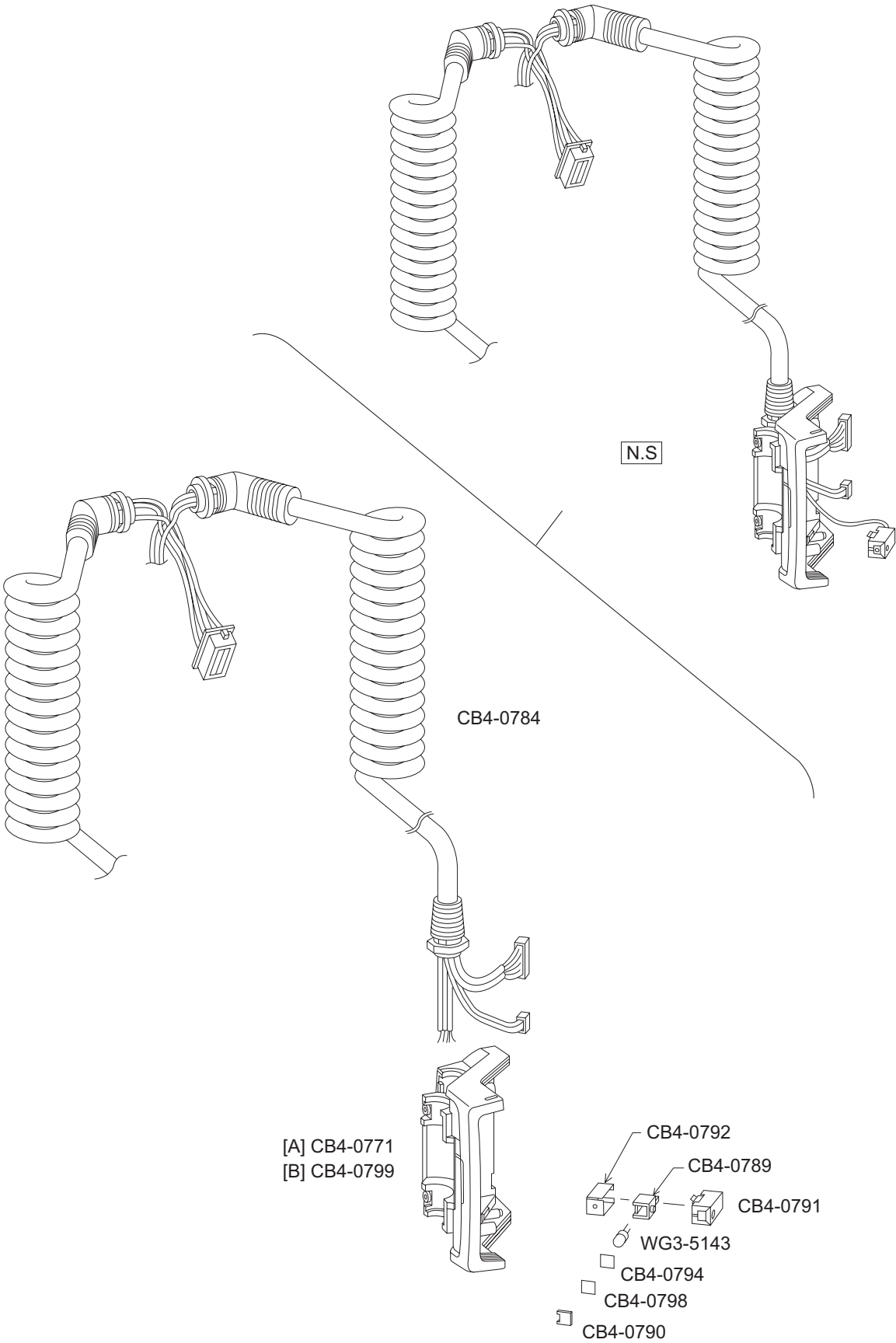


PARTS LIST

REF.No.C50-0771

NEW	PARTS No.	CLASS	QTY	DESCRIPTION	Page
*	CB4-0770-000	B	2	COVER, FLASH (UPPER)	4
*	CB4-0773-000	B	2	PANEL, FRESNEL	4
*	CB4-0774-000	C	2	PANEL, BLIND	4
*	CB4-0775-000	C	2	FRAME, REFLECTOR	4
*	CB4-0776-000	C	2	COVER, FLASH (INNER)	4
*	CB4-0777-000	C	2	REFLECTOR, LAMP	4
*	CB4-0783-000	B	2	COVER, RUBBER	4
*	CB4-0785-000	C	2	REFLECTOR	4
*	CB4-0786-000	C	2	RUBBER, HOLD	4
*	CB4-0787-000	B	2	WINDOW, LAMP	4
*	CB4-0788-000	C	2	CASE, SENSOR (A)	4
*	CB4-0794-000	C	2	FILTER, BAND PASS	4
*	CH1-6921-000	C	2	PCB ASS'Y, XENON	4
*	CH2-7365-000	C	2	LEAD ASS'Y, F-LAMP	4
*	CH2-7366-000	C	2	LEAD ASS'Y, XENON	4
*	CH9-0249-000	C	2	LAMP, KRYPTON	4
*	CY2-4089-000	C	2	PCB ASS'Y, FLASH	4
*	WG3-0022-000	C	2	PHOTO DIODE	4
*	XA4-9170-459	F	4	SCREW, CROSS-RECESS, PH	4
*	XA4-9200-459	F	4	SCREW, CROSS-RECESS, PH	4
*	XA4-9200-509	F	6	SCREW, CROSS-RECESS, PH	4
	Y17-3159-000	D	2	LAMP, XENON	4

CANON MACRO TWIN LITE MT-24EX

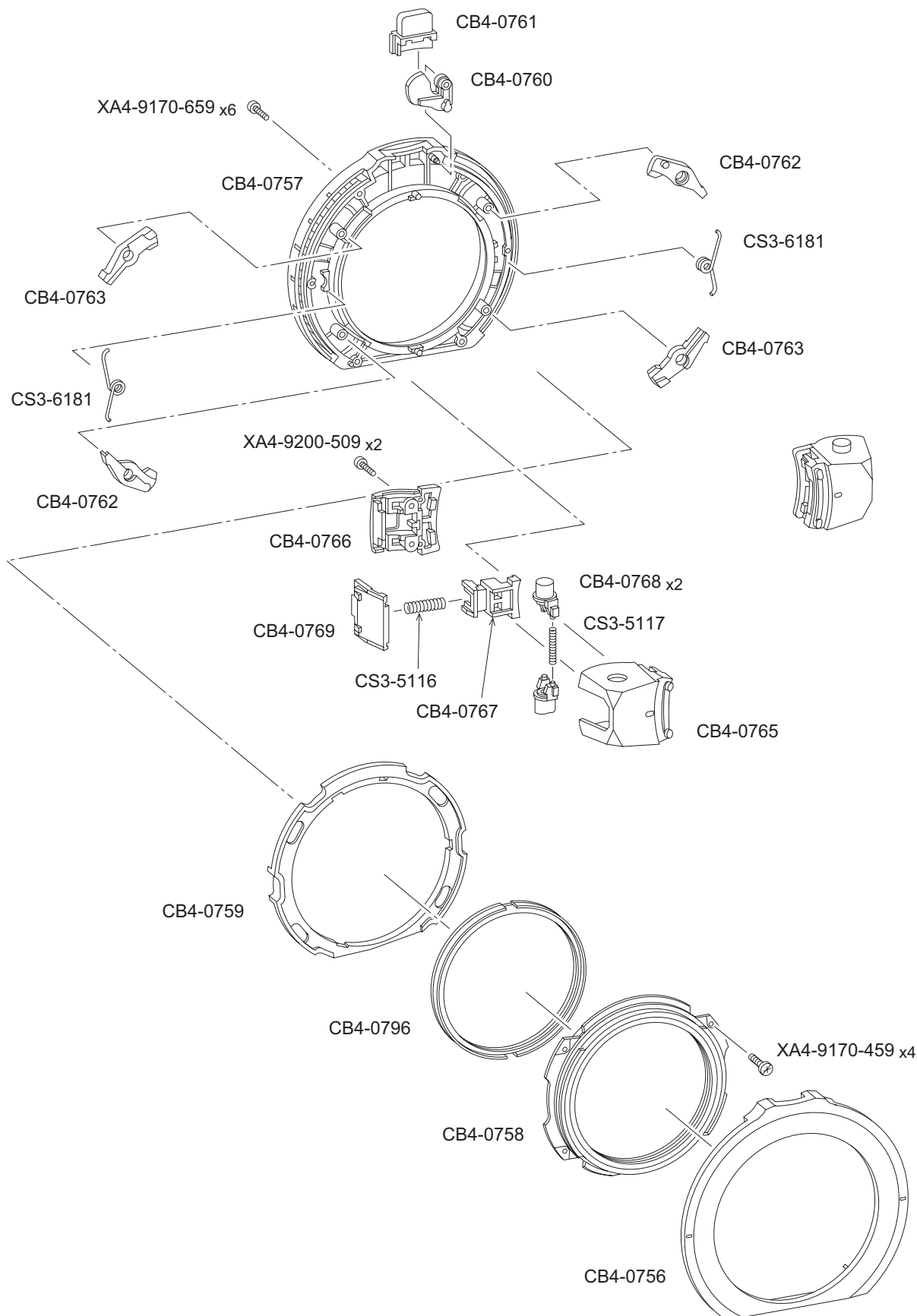


PARTS LIST

REF.No.C50-0771

NEW	PARTS No.	CLASS	QTY	DESCRIPTION	Page
*	CB4-0771-000	B	1	COVER, FLASH (MIDDLE-A)	5
*	CB4-0784-000	B	1	CABLE, CONNECT	5
*	CB4-0789-000	C	2	CASE, SENSOR (B)	5
*	CB4-0790-000	C	2	CAP, SENSOR (B)	5
*	CB4-0791-000	C	2	CAP, SHIELD (A)	5
*	CB4-0792-000	C	2	CAP, SHIELD (B)	5
*	CB4-0794-000	C	2	FILTER, BAND PASS	5
*	CB4-0798-000	C	2	FILTER, ND	5
*	CB4-0799-000	B	1	COVER, FLASH (MIDDLE-B)	5
*	WG3-5143-000	C	2	PHOTO DIODE	5

CANON MACRO TWIN LITE MT-24EX

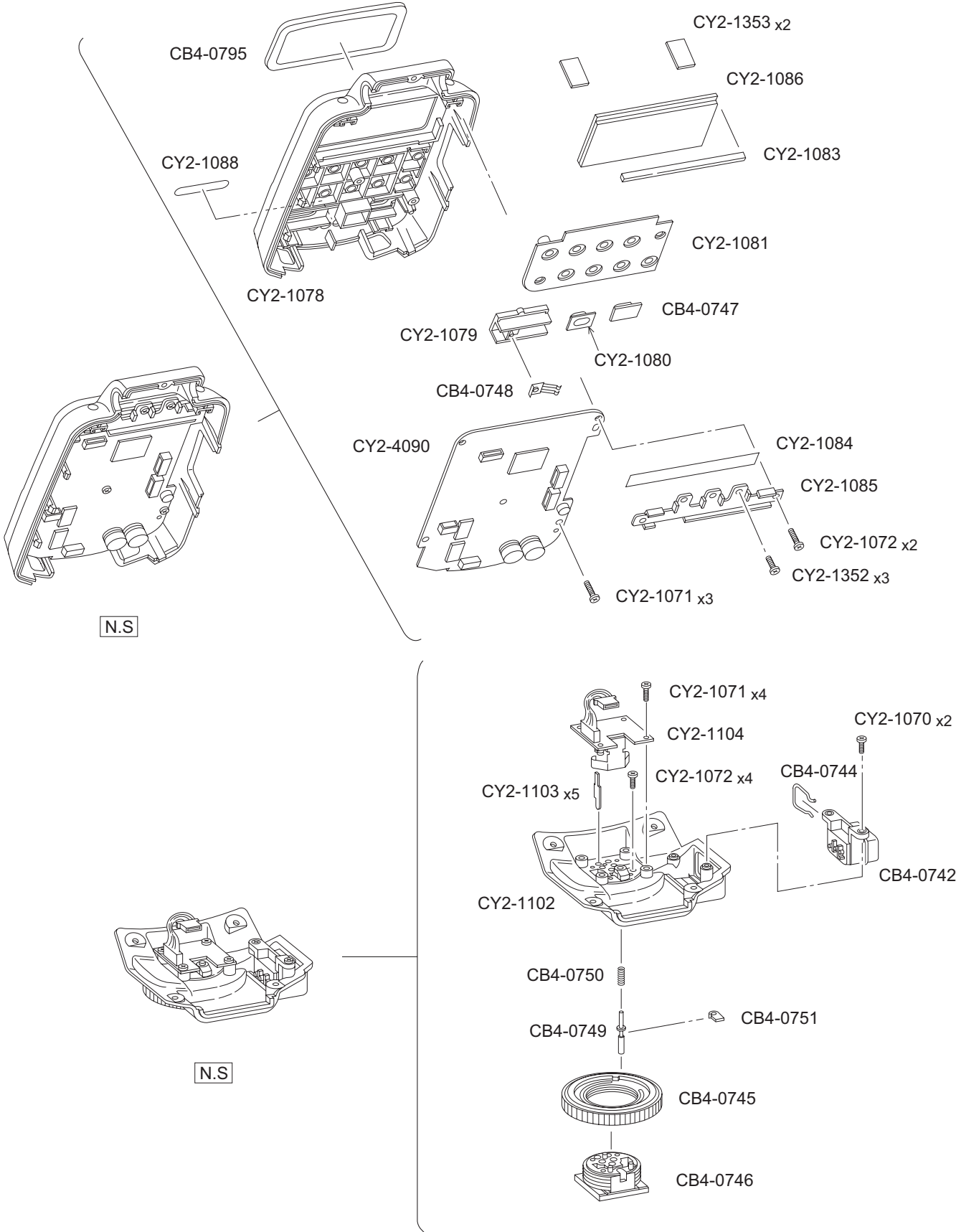


PARTS LIST

REF.No.C50-0771

NEW	PARTS No.	CLASS	QTY	DESCRIPTION	Page
*	CB4-0756-000	B	1	FRAME, FRONT	6
*	CB4-0757-000	B	1	FRAME, REAR	6
*	CB4-0758-000	B	1	RING, FILTER	6
*	CB4-0759-000	C	1	RING, LOCK	6
*	CB4-0760-000	C	1	CRANK, LOCK	6
*	CB4-0761-000	B	1	BUTTON, LOCK	6
*	CB4-0762-000	C	2	LEVER, A	6
*	CB4-0763-000	C	2	LEVER, B	6
*	CB4-0765-000	B	2	SWING CASE, FRONT	6
*	CB4-0766-000	B	2	SWING CASE, REAR	6
*	CB4-0767-000	C	2	ARM, LOCK	6
*	CB4-0768-000	B	4	BUTTON, UNLOCK	6
*	CB4-0769-000	B	2	LEVER, UNLOCK	6
*	CB4-0796-000	B	1	RING, HOLD	6
*	CS3-5116-000	C	2	SPRING, COIL	6
*	CS3-5117-000	C	2	SPRING, COIL	6
*	CS3-6181-000	C	2	SPRING, LEVER	6
*	XA4-9170-459	F	4	SCREW, CROSS-RECESS, PH	6
*	XA4-9170-659	F	6	SCREW, CROSS-RECESS, PH	6
*	XA4-9200-509	F	4	SCREW, CROSS-RECESS, PH	6

CANON MACRO TWIN LITE MT-24EX



PARTS LIST

REF.No.C50-0771

NEW	PARTS No.	CLASS	QTY	DESCRIPTION	Page
	CB4-0742-000	D	1	CONNECTOR, POWER	7
	CB4-0744-000	D	1	SPRING, CONNECTOR	7
	CB4-0745-000	D	1	NUT, SHOE	7
	CB4-0746-000	C	1	SHOE	7
	CB4-0747-000	D	1	BUTTON, TEST	7
	CB4-0748-000	D	1	CONTACT, ZOOM	7
	CB4-0749-000	E	1	PIN, SHOE LOCK	7
	CB4-0750-000	D	1	SPRING, SHOE LOCK	7
	CB4-0751-000	E	1	KNOB, SWITCH	7
*	CB4-0795-000	B	1	WINDOW, LCD	7
	CY2-1070-000	F	2	SCREW	7
	CY2-1071-000	F	7	SCREW	7
	CY2-1072-000	F	6	SCREW	7
	CY2-1078-000	C	1	COVER, REAR	7
	CY2-1079-000	C	1	SWITCH, MAIN	7
	CY2-1080-000	C	1	WINDOW, PILOT LAMP	7
	CY2-1081-000	D	1	SWITCH, MODE	7
	CY2-1083-000	D	1	CONNECTOR, LCD	7
	CY2-1084-000	D	1	TAPE, INSULATION	7
	CY2-1085-000	E	1	PLATE, REINFORCEMENT	7
	CY2-1086-000	D	1	LCD	7
	CY2-1088-000	C	1	COVER, VR	7
	CY2-1102-000	C	1	COVER, SHOE	7
	CY2-1103-000	E	5	CONTACT, SHOE	7
	CY2-1104-000	D	1	PCB ASS'Y, SHOE	7
*	CY2-1352-000	F	3	SCREW	7
*	CY2-1353-000	C	2	SHEET, INSULATION (3)	7
*	CY2-4090-000	C	1	PCB ASS'Y, LCD	7

INDEX OF PARTS LIST

REF.No.C50-0771

NEW	PARTS No.	Page	NEW	PARTS No.	Page
	CB4-0741-000	2	*	CB4-0786-000	4
	CB4-0742-000	7	*	CB4-0787-000	4
	CB4-0743-000	1	*	CB4-0788-000	4
	CB4-0744-000	7	*	CB4-0789-000	5
	CB4-0745-000	7	*	CB4-0790-000	5
	CB4-0746-000	7	*	CB4-0791-000	5
	CB4-0747-000	7	*	CB4-0792-000	5
	CB4-0748-000	7	*	CB4-0794-000	4,5
	CB4-0749-000	7	*	CB4-0795-000	7
	CB4-0750-000	7	*	CB4-0796-000	6
	CB4-0751-000	7	*	CB4-0797-000	3
*	CB4-0756-000	6	*	CB4-0798-000	5
*	CB4-0757-000	6	*	CB4-0799-000	5
*	CB4-0758-000	6	*	CH1-6921-000	4
*	CB4-0759-000	6	*	CH1-6922-000	2
*	CB4-0760-000	6	*	CH2-7365-000	4
*	CB4-0761-000	6	*	CH2-7366-000	4
*	CB4-0762-000	6	*	CH9-0249-000	4
*	CB4-0763-000	6	*	CS3-5116-000	6
*	CB4-0765-000	6	*	CS3-5117-000	6
*	CB4-0766-000	6	*	CS3-5118-000	3
*	CB4-0767-000	6	*	CS3-5119-000	3
*	CB4-0768-000	6	*	CS3-6181-000	6
*	CB4-0769-000	6		CY2-1069-000	1
*	CB4-0770-000	4		CY2-1070-000	7
*	CB4-0771-000	5		CY2-1071-000	1,2,7
*	CB4-0772-000	3		CY2-1072-000	7
*	CB4-0773-000	4		CY2-1073-000	1
*	CB4-0774-000	4		CY2-1074-000	1
*	CB4-0775-000	4		CY2-1077-000	1
*	CB4-0776-000	4		CY2-1078-000	7
*	CB4-0777-000	4		CY2-1079-000	7
*	CB4-0778-000	3		CY2-1080-000	7
*	CB4-0779-000	3		CY2-1081-000	7
*	CB4-0780-000	3		CY2-1083-000	7
*	CB4-0781-000	3		CY2-1084-000	7
*	CB4-0782-000	3		CY2-1085-000	7
*	CB4-0783-000	4		CY2-1086-000	7
*	CB4-0784-000	5		CY2-1088-000	7
*	CB4-0785-000	4		CY2-1089-000	1

INDEX OF PARTS LIST

REF.No.C50-0771

NEW	PARTS No.	Page	NEW	PARTS No.	Page
	CY2-1090-000	1			
	CY2-1091-000	1			
	CY2-1092-000	2			
	CY2-1093-000	2			
	CY2-1094-000	2			
	CY2-1095-000	2			
	CY2-1096-000	2			
	CY2-1097-000	2			
	CY2-1098-000	2			
	CY2-1099-000	2			
	CY2-1100-000	2			
	CY2-1101-000	2			
	CY2-1102-000	7			
	CY2-1103-000	7			
	CY2-1104-000	7			
*	CY2-1352-000	7			
*	CY2-1353-000	7			
*	CY2-1354-000	1			
*	CY2-1355-000	1			
*	CY2-4089-000	4			
*	CY2-4090-000	7			
*	WG3-0022-000	4			
*	WG3-5143-000	5			
*	XA4-9170-459	4,6			
*	XA4-9170-507	3			
*	XA4-9170-659	6			
*	XA4-9200-459	4			
*	XA4-9200-509	4,6			
*	XG8-1500-591	3			
	Y17-3159-000	4			