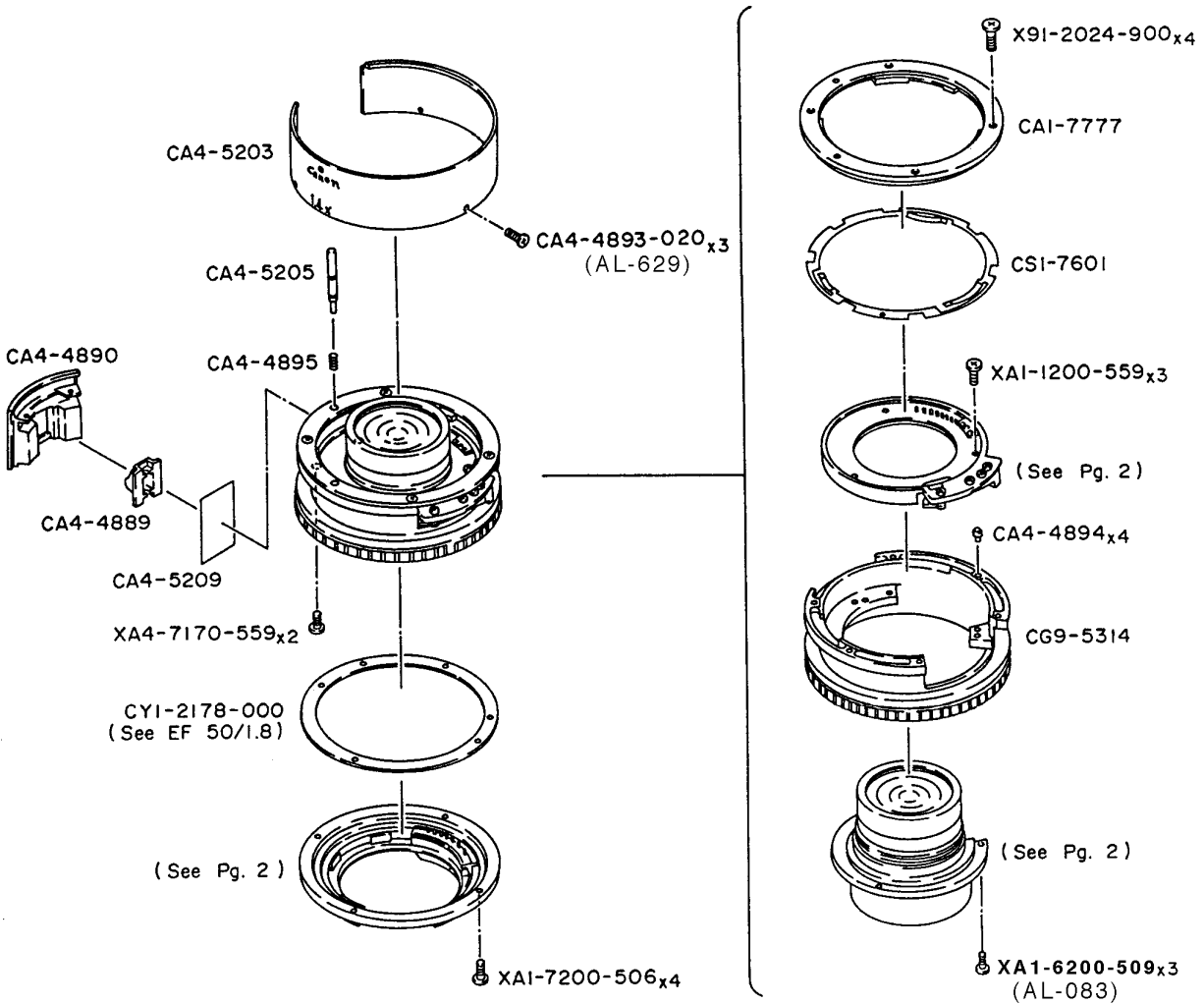


Canon

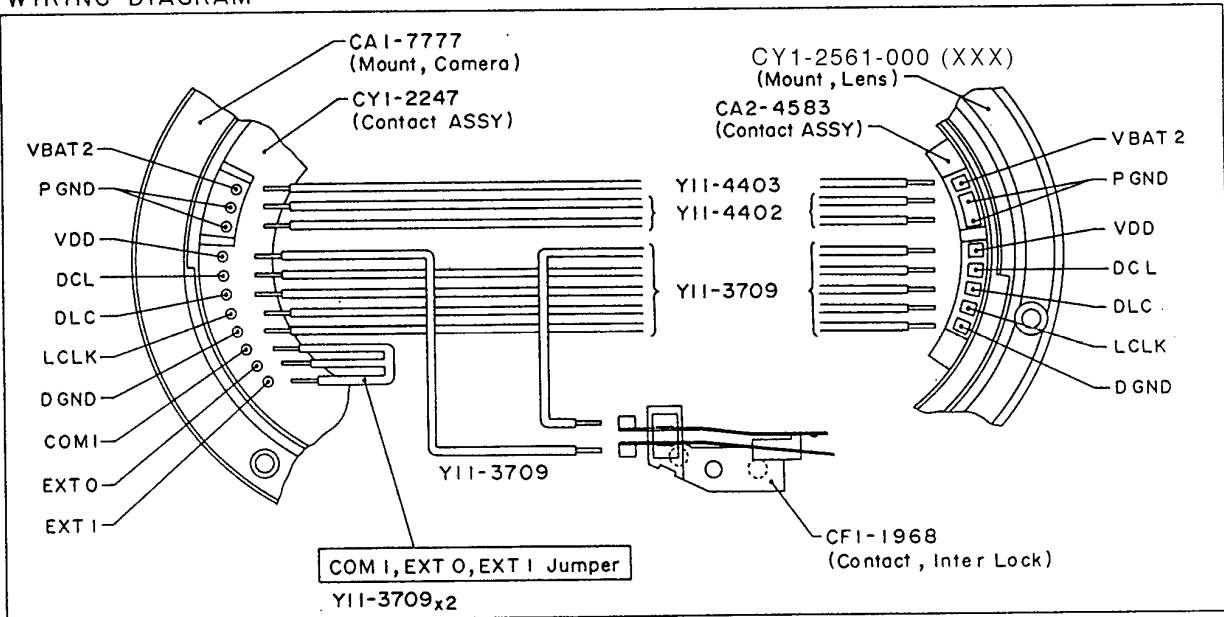
**EXTENDER EF 1.4x
REF.NO. C54-3801**

**PARTS
CATALOG**

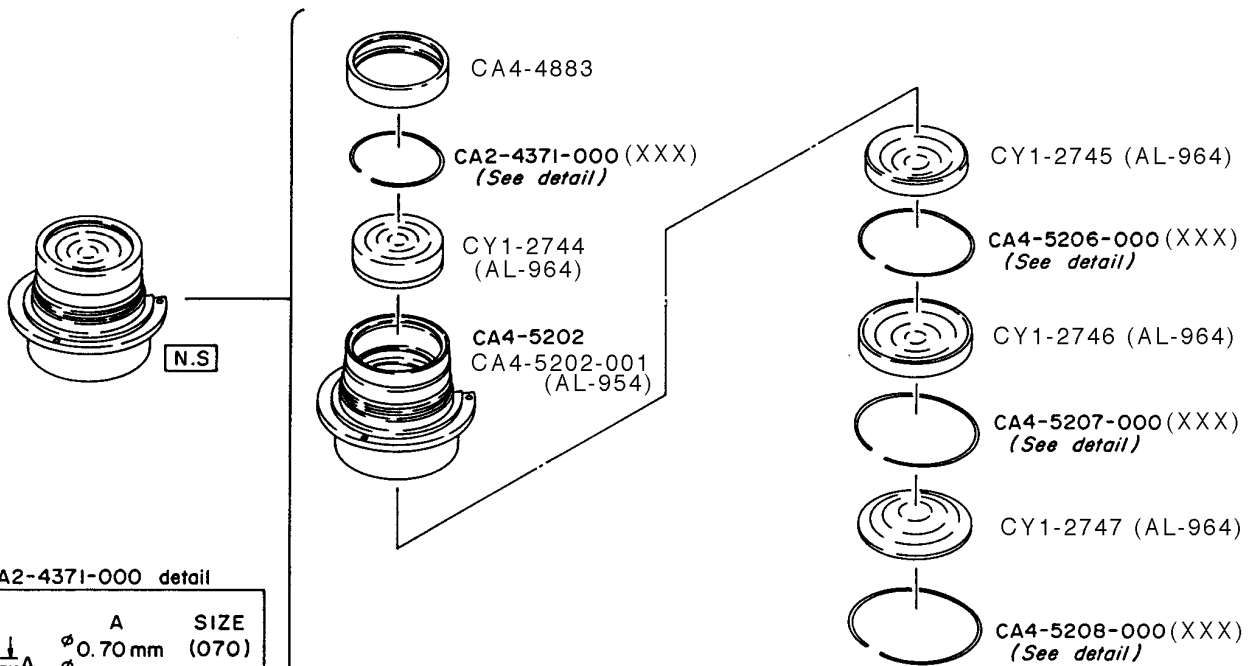
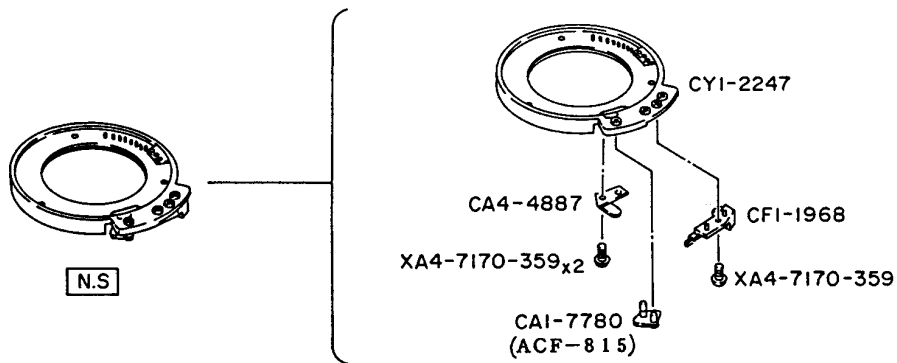
CANON EXTENDER EF 1.4x



WIRING DIAGRAM



CANON EXTENDER EF 1.4x

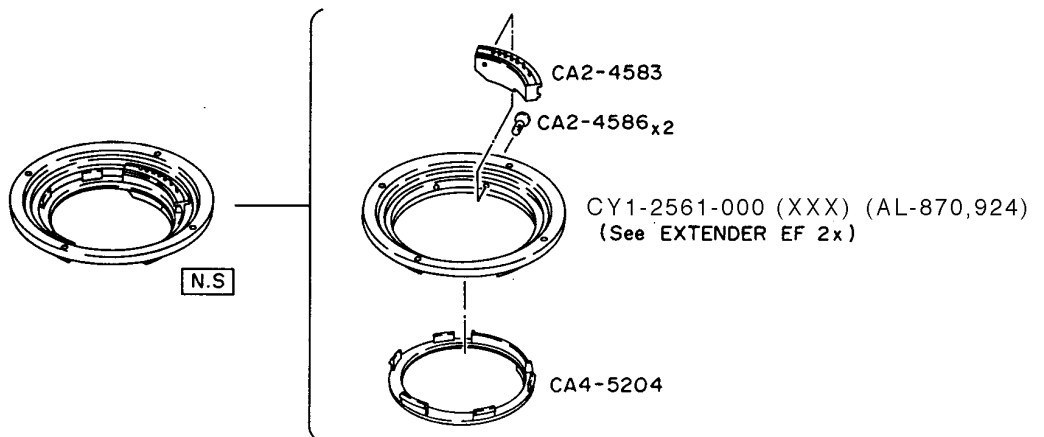


CA2-4371-000 detail

A	SIZE
∅ 0.70 mm (070)	
∅ 0.80 mm (080)	

CA4-5206-000
CA4-5207-000
CA4-5208-000 detail

A	SIZE
∅ 0.60 mm (060)	
∅ 0.70 mm (070)	
∅ 0.80 mm (080)	



PARTSLIST

REF.No.C54-3801 EXTENDER EF 1.4X

NEW	PART.NO.	CLASS	QTY	DESCRIPTION	PAGE
	CA1-7777-000	C	1	MOUNT, BODY	1
	CA1-7780-000	E	1	INTERLOCK, LENS MOTOR	2
	CA2-4371-000(XXX)	E	1	RING, SNAP	2
	CA2-4583-000	D	1	CONTACT ASS'Y	2
	CA2-4586-000	E	2	SCREW	2
	CA4-4883-000	D	1	RING, PROTECTOR	2
	CA4-4887-000	E	1	HOLDER, SW LEVER	2
	CA4-4889-000	D	1	KONB, UNLOCK	1
	CA4-4890-000	D	1	FRAME, UNLOCK, KNOB	1
	CA4-4893-020	E	3	SCREW	1
	CA4-4894-000	E	4	PIN, GUIDE	1
	CA4-4895-000	E	1	SPRING, COIL	1
	CA4-5202-000	E	1	BARREL, LENS	2
	CA4-5202-001	E	1	BARREL, LENS	2
	CA4-5203-000	D	1	SLEEVE, NAME	1
	CA4-5204-000	E	1	COVER, BACK	2
	CA4-5205-000	E	1	PIN, UNLOCK KNOB	1
	CA4-5206-000(XXX)	E	1	RING, SNAP	2
	CA4-5207-000(XXX)	E	1	RING, SNAP	2
	CA4-5208-000(XXX)	E	1	RING, SNAP	2
	CA4-5209-000	E	1	SHEET, UNLOCK KNOB	1
	CF1-1968-000	E	1	CONTACT INTERLOCK	2
	CG9-5314-000	E	1	BARREL, MAIN	1
	CS1-7601-000	D	1	SPRING, MOUNT	1
	CY1-2178-000(XXX)	E	1	WASHER, MOUNT	1
	CY1-2247-000	D	1	CONTACT ASS'Y	2
	CY1-2561-000(XXX)	E	1	MOUNT, LENS	2
	CY1-2744-000	E	1	LENS, G1/2	2
	CY1-2745-000	E	1	LENS, G3	2
	CY1-2746-000	E	1	LENS, G4	2
	CY1-2747-000	E	1	LENS, G5	2
	X91-2024-900		4	SCREW, CROSS-RECESS, PH	1
	XA1-1200-559		3	SCREW, CROSS-RECESS, PH	1
	XA1-6200-509		3	SCREW, CROSS-RECESS, PH	1
	XA1-7200-506		4	SCREW, CROSS-RECESS, PH	1
	XA4-7170-359		3	SCREW, CROSS-RECESS, PH	2
	XA4-7170-559		2	SCREW, CROSS-RECESS, PH	1
	Y11-3709-000			LEAD(GRREN)	1
	Y11-4402-000			LEAD(BLACK)	1
	Y11-4403-000			LEAD(RED)	1

CANON EXTENDER EF 1.4x

REF. NO. C54-3801

