

Canon

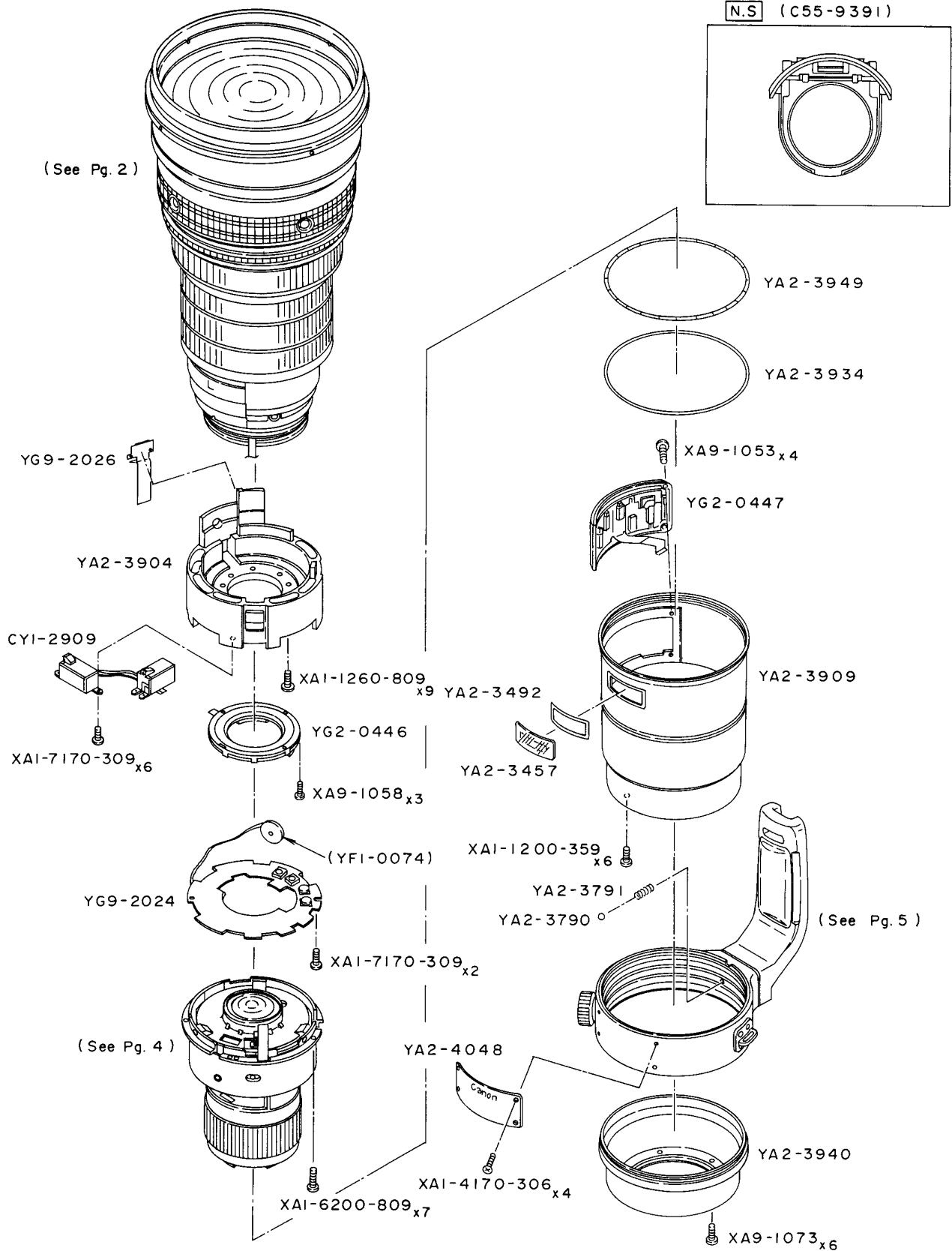
**EF 600mm 1:4.0L IS (ULTRASONIC)
REF.NO. C21-8491**

LENS HOOD ET-160

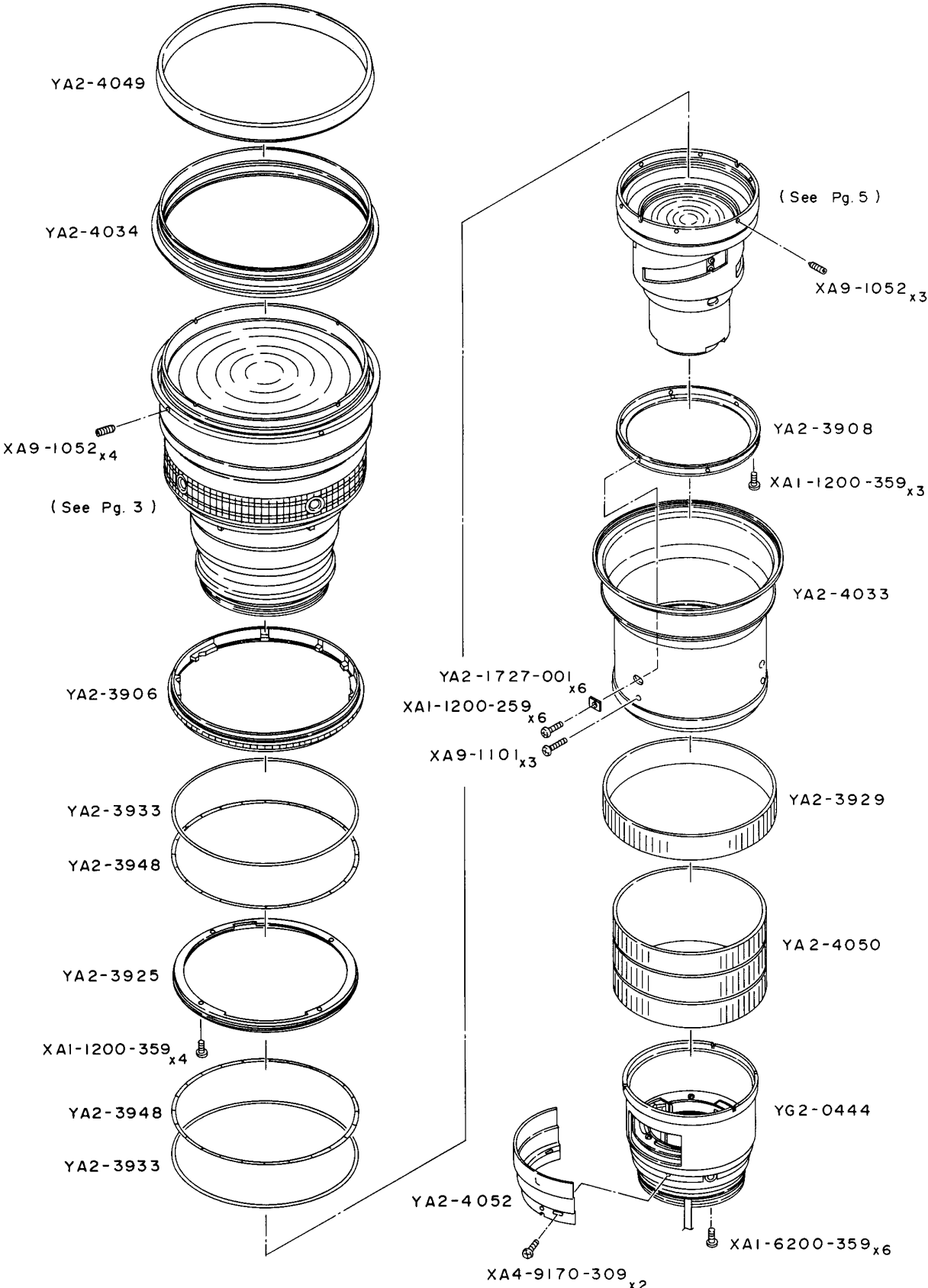
C44-8331

**PARTS
CATALOG**

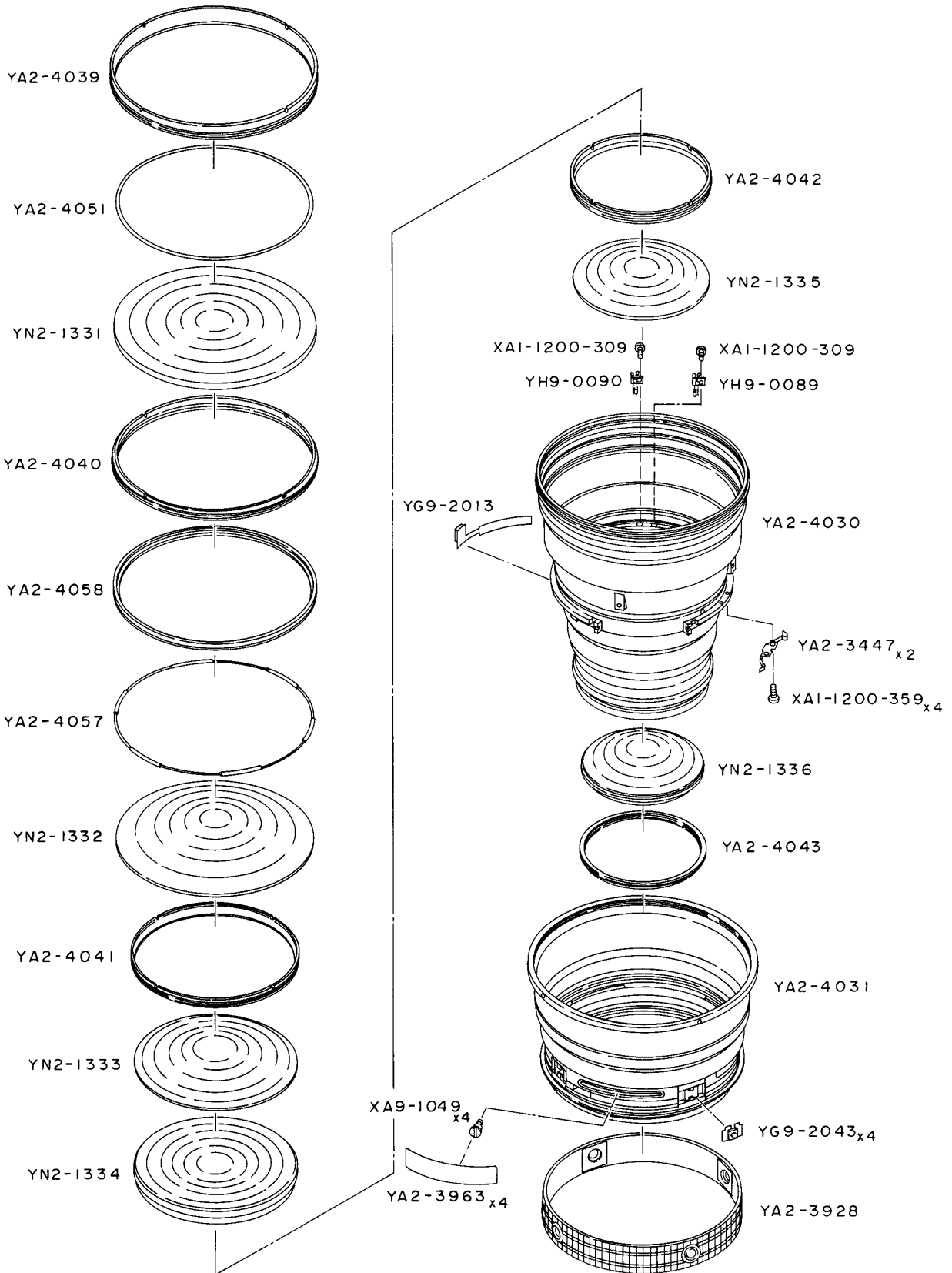
CANON LENS EF 600 mm 1:4.0L IS USM



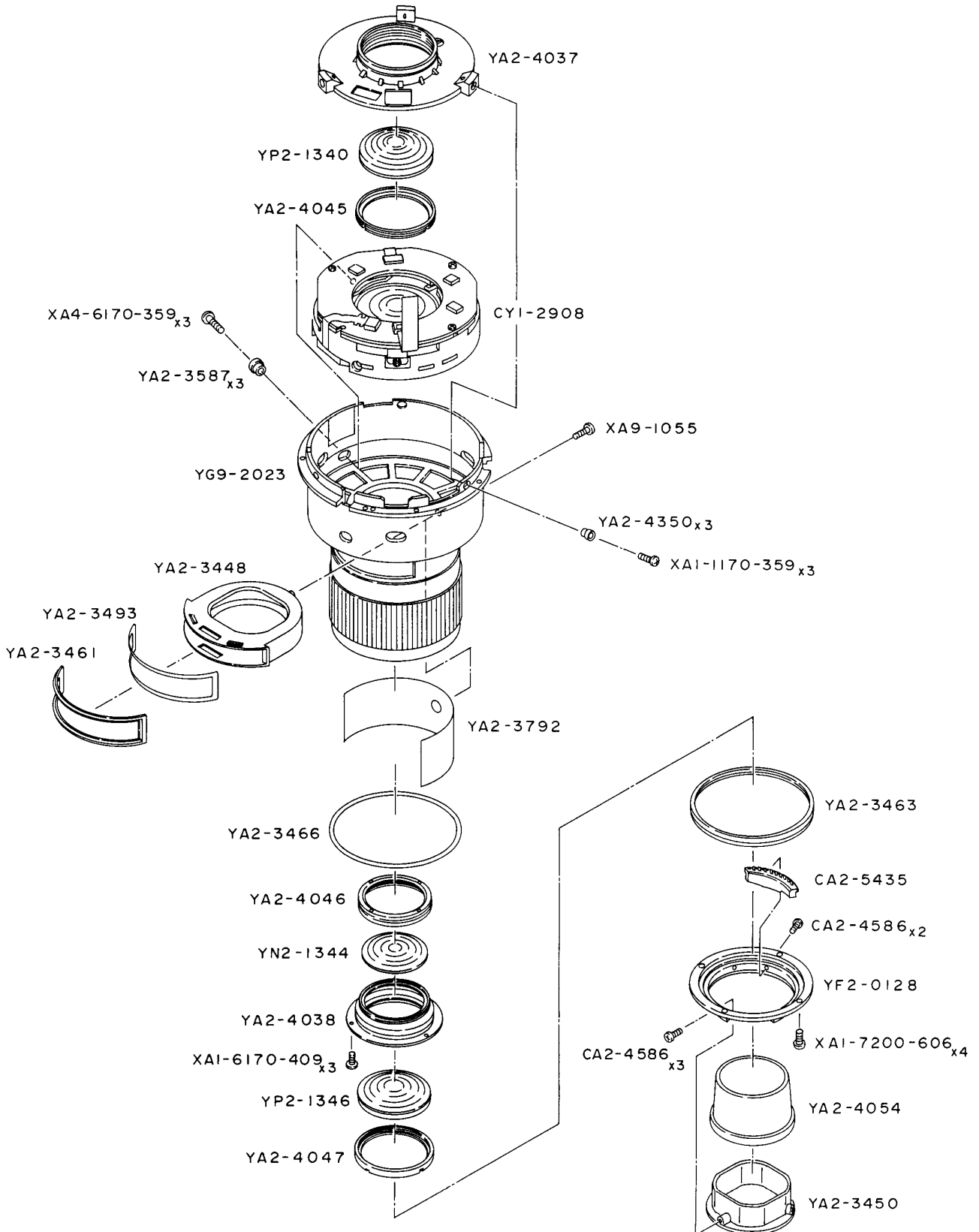
CANON LENS EF 600 mm 1:4.0L IS USM



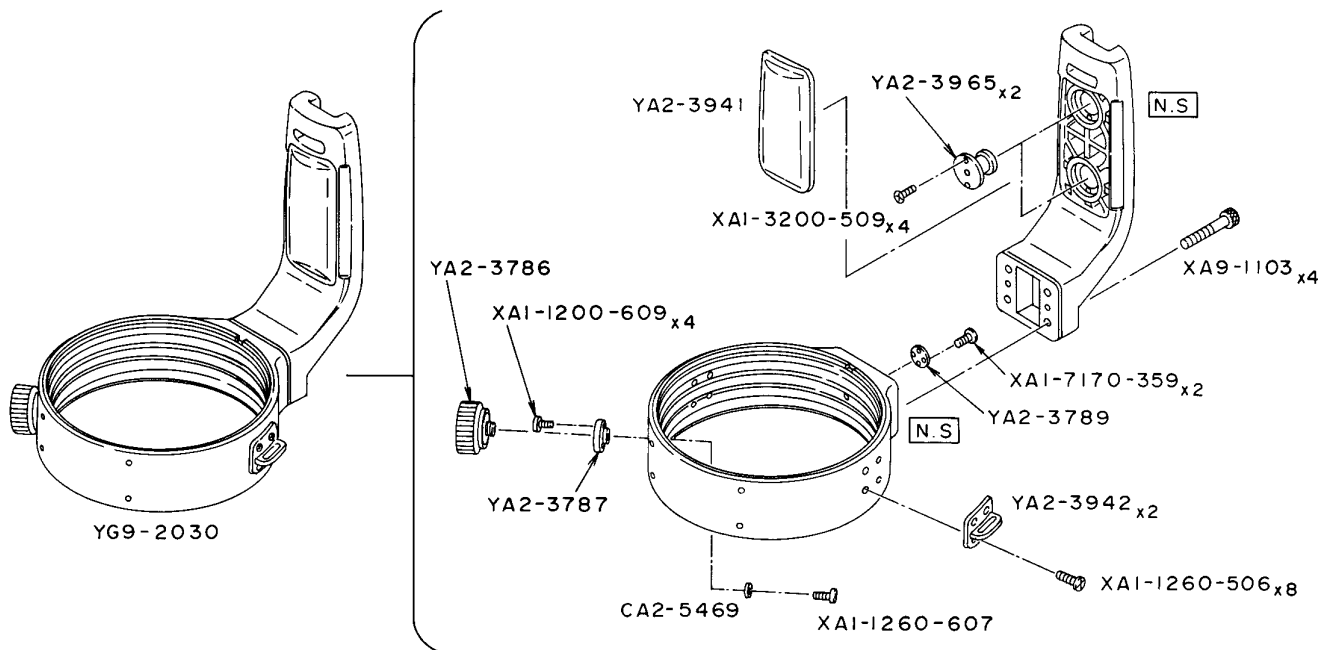
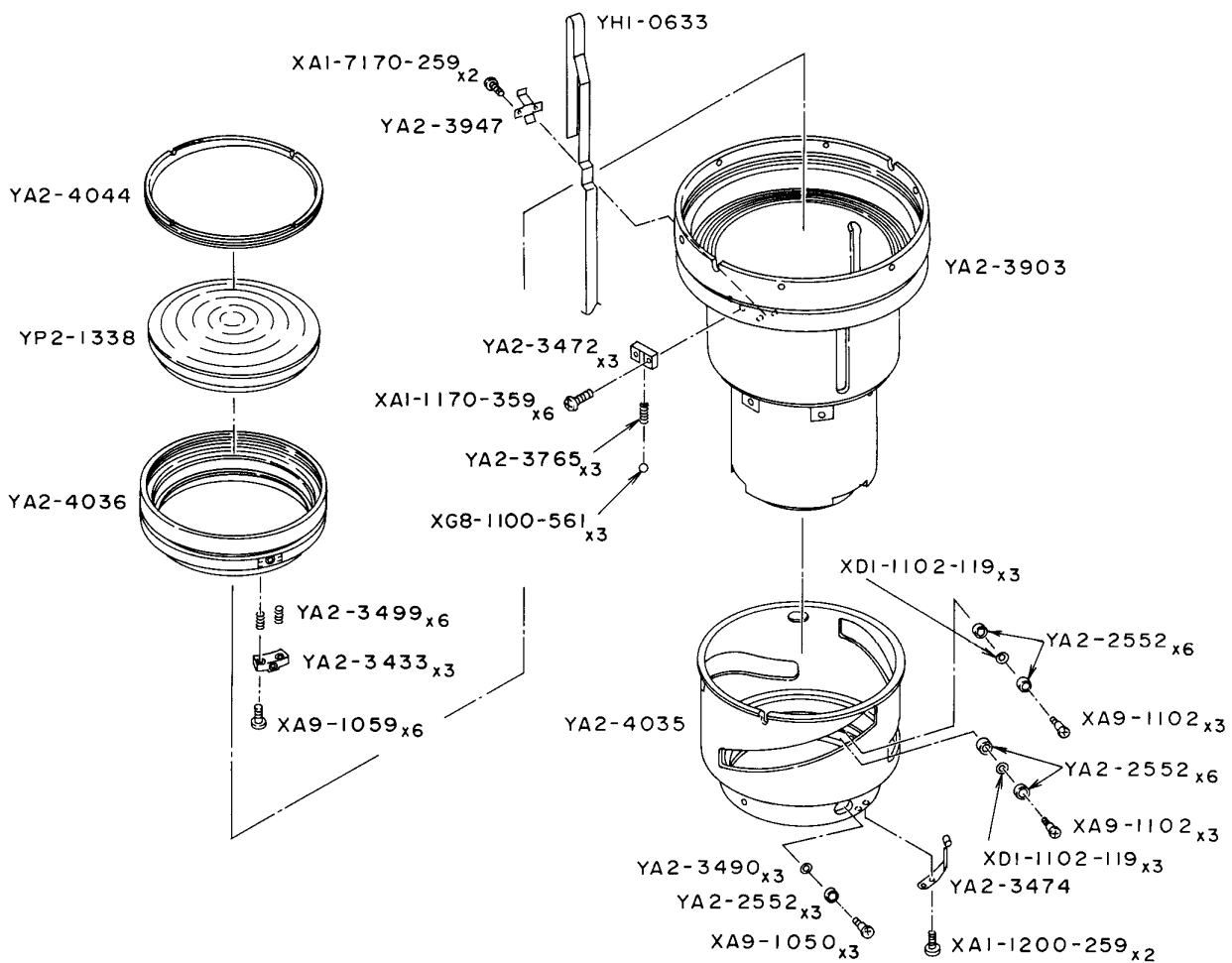
CANON LENS EF 600 mm 1:4.0L IS USM



CANON LENS EF 600 mm 1:4.0L IS USM



CANON LENS EF 600 mm 1:4.0L IS USM



PARTS LIST

REF.No. C21-8292

NEW	PARTS NO.	CLASS	QTY	DESCRIPTION	PAGE
	C55-9371-000	D	1	FILTER HOLDER UNIT (Old)	5
	CA2-2469-000	D	2	SOCKET, TRIPOD	3
	CA2-2495-000	D	2	GUIDE, FILTER	5
	CA2-2496-000	C	1	SEAL, RUBBER	5
	CA2-4586-000	E	5	SCREW, CROSS-RECESS, PH	5
	CA2-5429-000	E	2	SPACER	5
	CA2-5435-000	D	1	CONTACT ASS'Y	5
	CA2-5436-001	D	1	COVER, BACK	5
	CA2-5439-060	E	1	CONTACT L	3
	CA2-5442-050	E	1	CONTACT R	3
	CA2-5459-000	D	2	LUG, STRAP	3
	CA2-5460-000	E	2	NUT	3
	CA2-5461-000	E	2	NUT, SLEEVE	3
	CA2-5467-000	D	1	KNOB	3
	CA2-5468-000	E	1	NUT, LOCK	3
	CA2-5610-000	E	2	SPRING, PLATE	3
	CA2-5611-000	E	1	STOPPER, F.P. RING	3
	CA2-5615-000	E	1	HOLDER, BALL	3
	CA2-5616-000	E	1	SPRING, COIL	3
	CA2-5921-000	D	1	BARREL, FRONT LENS (Old)	2
	CA2-5921-001	D	1	BARREL, FRONT LENS (New)	2
	CA2-5922-000	D	1	BARREL, LENS G1	2
	CA2-5923-000	D	2	COLLAR, ASSEMBLY	2
	CA2-5924-000	E	1	COLLAR, ASSEMBLY	2
	CA2-5925-000	E	1	COLLAR, ASSEMBLY	2
	CA2-5926-000	D	1	PROTECTOR	2
	CA2-5927-000	D	1	RING, RUBBER	2
	CA2-5928-000	E	1	BARREL, LENS G2-G4	2
	CA2-5929-000	E	1	BARREL, LENS G5-G6	2
	CA2-5930-000	E	1	COLLAR, ASSEMBLY	2
	CA2-5931-000	E	1	COLLAR, ASSEMBLY	2
	CA2-5933-000	D	1	RING, RUBBER	1
	CA2-5934-000	D	1	RING, FOCUS PRESET	3
	CA2-5935-000	E	1	RING	3
	CA2-5936-000	E	1	RING, CLICK	3
	CA2-5937-000	E	1	COLLAR, ASSEMBLY	3
	CA2-5938-000	D	1	RING, TRIPOD	3
	CA2-5939-001	D	1	BASE, TRIPOD (New)	3
	CA2-5940-000	E	1	GRIP	3
	CA2-5941-000	D	1	PLATE, BASE (Old)	3
	CA2-5941-030	D	1	PLATE, BASE (New)	3
	CA2-5942-000	E	2	GUARD, LUG	3
	CA2-5943-000	D	1	NAME PLATE	3
	CA2-5945-000	E	1	SCREW	3
	CA2-5946-000	E	1	BASE, CONTACT L	3
	CA2-5947-000	E	1	WASHER	3
	CA2-5950-000 (XXX)	E	1	RING, SNAP	1
	CA2-5963-000	E	1	HOLDER, F-FLEX	4
	CA2-5964-000	E	1	SCALE, FOCUSING	4
	CA2-5966-001	E	1	SLEEVE	4

PARTS LIST

REF.No. C21-8292

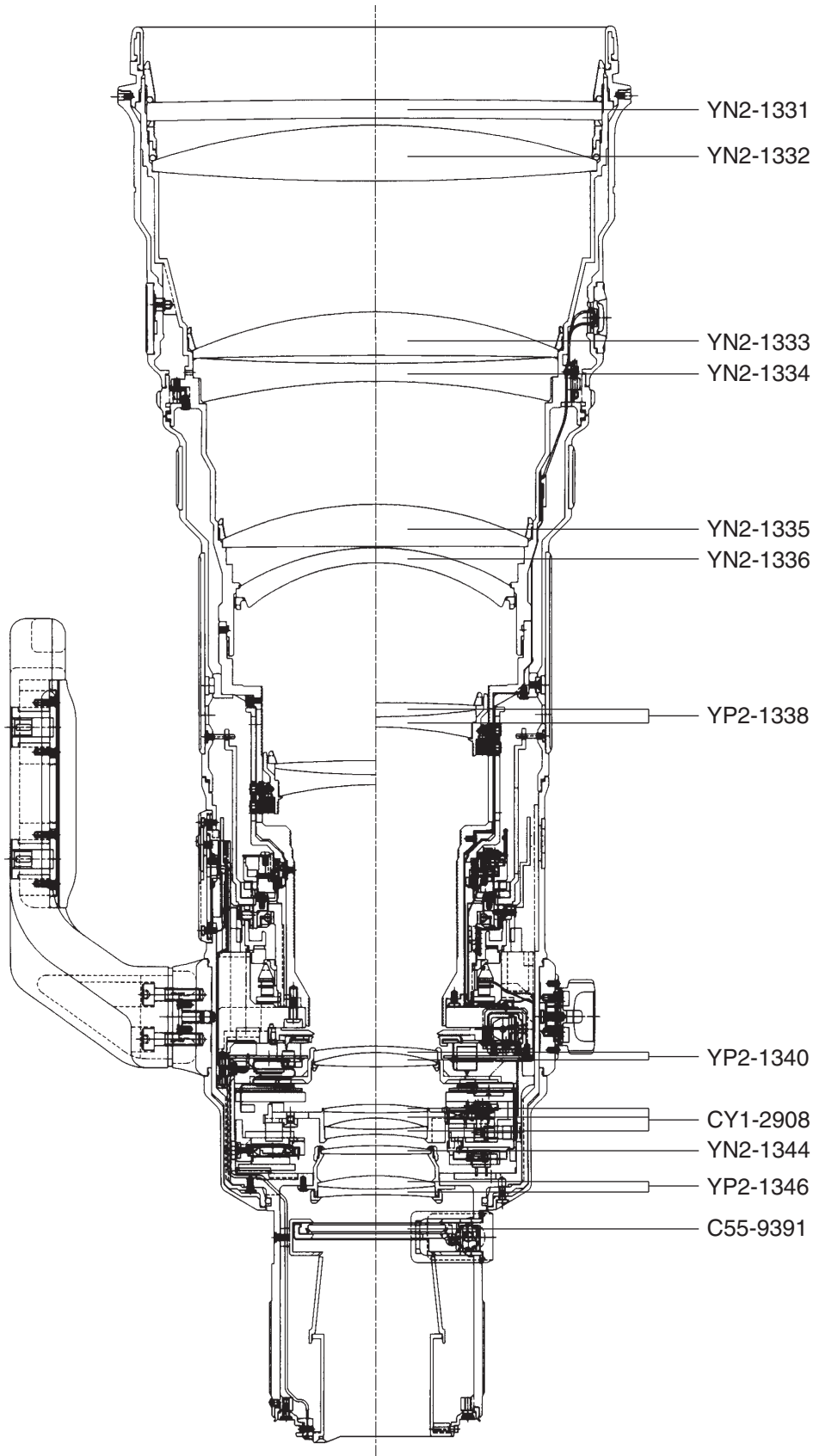
NEW	PARTS NO.	CLASS	QTY	DESCRIPTION	PAGE
	CA2-5967-000	D	1	SLEEVE, INDICATOR	1
	CA2-5968-000	E	1	BARREL, INTERMEDIATE	3
	CA2-5970-000	E	1	SLEEVE, IRIS (Old)	5
	CA2-5973-000	E	1	BAFFLE	4
	CA2-5976-000	D	6	SCREW, SLSUM	3
	CA2-5978-000	D	6	SCREW, SLSUM	1
	CA4-2113-000	D	1	HOLDER, GELATIN (New)	5
	CF2-1038-000	E	1	BEEPER	5
	CG2-0016-000	D	1	FILTER UNIT (Old)	5
	CG2-0357-000	D	1	FPC ASS'Y, MAIN (1st)	1
	CG2-0358-000	D	1	POWER DIAPHRAGM UNIT (Old)	5
	CG9-5298-000	E	1	RING ASS'Y, TRIPOD	3
	CG9-5299-000	D	1	BARREL, FIXED	5
	CH1-0807-000	E	1	SW-FLEX	4
	CH1-0882-000	E	1	FLEX, FOCUSING (Old)	4
	CH9-0148-000	E	2	SWITCH, SLIDE	4
	CH9-0149-000	E	3	SWITCH, SLIDE	4
	CN2-1211-000	D	1	LENS, G1	2
	CN2-1212-000	E	1	LENS, G2	2
	CN2-1213-000	E	1	LENS, G3	2
	CN2-1215-000	E	1	LENS, G5	2
	CN2-1216-000	E	1	LENS, G6	2
	CP2-1218-000	E	1	LENS, G7/8	1
	CY1-2251-000	E	1	PRESET SWITCH UNIT	3
	CY1-2256-000	D	1	FOCUSING CONTACT UNIT	4
	CY1-2292-000	D	1	RING, MANUAL FOCUSING	1
	CY1-2293-000	D	1	SWITCH PANEL UNIT	4
	CY1-2395-000	D	1	FILTER HOLDER UNIT (New)	5
	CY1-2560-000	D	1	MOUNT, LENS	5
	CY1-2673-000	E	1	PCB ASS'Y, RELAY	1
	CY1-2704-000	E	1	LENS, G4	2
	CY1-2798-000	D	1	FOCUSING UNIT (New)	4
	VL5-0350-185	E	2	COIL (Old)	5
	VL7-2270-155	E	2	COIL (New)	5
	VR5-0071-002	E	1	RESISTOR 10KOHM 1/8W	1
	VV1-6118-102	D	1	RESISTOR 1K 1/10W	1
	X99-0640-000		4	SCREW, CROSS-RECESS, PH	1
	XA1-1170-169		5	SCREW, CROSS-RECESS, PH	1
	XA1-1170-509		2	SCREW, CROSS-RECESS, PH	5
	XA1-1260-607		1	SCREW, CROSS-RECESS, PH	3
	XA1-3170-309		4	SCREW, CROSS-RECESS, PH	5
	XA1-3200-507		6	SCREW, CROSS-RECESS, PH	3
	XA1-4170-256		4	SCREW, CROSS-RECESS, PH	3
	XA1-6170-259		10	SCREW, CROSS-RECESS, PH	3,4
	XA1-6170-359		2	SCREW, CROSS-RECESS, PH	3
	XA1-6170-409		5	SCREW, CROSS-RECESS, PH	3,5
	XA1-6170-509		3	SCREW, CROSS-RECESS, PH	5
	XA1-6200-707		6	SCREW, CROSS-RECESS, PH	1
	XA1-6200-809		6	SCREW, CROSS-RECESS, PH	4
	XA1-6260-609		8	SCREW, CROSS-RECESS, PH	1

PARTS LIST

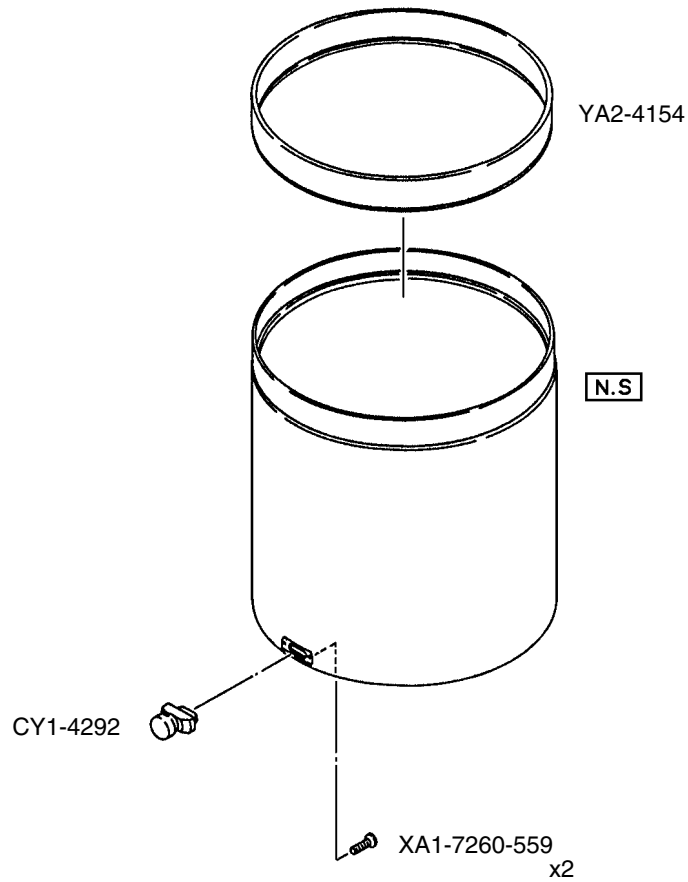
REF.No. C21-8292

NEW	PARTS NO.	CLASS	QTY	DESCRIPTION	PAGE
	XA1-7170-359		4	SCREW, CROSS-RECESS, PH	4
	XA1-7170-509		2	SCREW, CROSS-RECESS, PH	3
	XA1-7200-359		3	SCREW, CROSS-RECESS, PH	5
	XA1-7200-506		4	SCREW, CROSS-RECESS, PH	5
	XA4-9170-559		2	SCREW, CROSS-RECESS, PH	3
	XA6-1170-409		3	SETSCREW, SLOTTED, HLCP	3
	XA6-1170-509		3	SETSCREW, SLOTTED, HLCP	3
	XA6-1200-309		3	SETSCREW, SLOTTED, HLCP	2
	XA6-1200-359		3	SETSCREW, SLOTTED, HLCP	2
	XA9-0392-000		4	SCREW, CROSS-RECESS, PH	3
	XB6-1300-408		3	SCREW, HEX SOCKET	1
	XD1-1101-833		4	WASHER	3
	XG8-1100-022		1	BALL, STEEL	3
	Y11-3901-000			LEAD (WHITE)	
	Y11-3902-000			LEAD (BLACK)	
	Y11-3903-000			LEAD (RED)	
	Y11-3906-000			LEAD (ORANGE)	
	Y11-3907-000			LEAD (YELLOW)	
	Y11-3911-000			LEAD (BLUE)	
	Y11-3912-000			LEAD (PURPLE)	
	Y11-3913-000			LEAD (BROWN)	
	Y11-3914-000			LEAD (GRAY)	
	Y11-5002-000			LEAD (BLACK)	
	Y11-5003-000			LEAD (RED)	
	YA2-1486-000	D	1	SOCKET, TRIPOD	3
	YA2-2466-000	E	1	RING, PROTECTION	2
	YA2-2514-000	D	1	SCALE, DEPTH OF FIELD	1
	YA2-2969-000	E	1	SLEEVE, IRIS (New)	5
	YF1-0070-000	E	1	BEEPER	5
	YG2-0220-000	D	1	CONVERTER, DC/DC (Old)	5
	YG2-0308-000	D	1	FPC ASS'Y, MAIN (2nd)	1
	YG2-0311-000	D	1	POWER DIAPHRAGM UNIT (New)	5
	YG2-0351-000	D	1	FPC ASS'Y, MAIN (New)	1
	YG2-0352-000	D	1	CONVERTER, DC/DC (New)	5
	YH1-0254-000	D	1	CONTACT BOARD, M-FOCUS	1
	YH1-0430-000	E	1	FLEX, FOCUSING (New)	4

CANON LENS EF 600mm 1:4.0L IS USM



CANON LENS HOOD ET-160



PARTS LIST

Pg 1

REF.NO. C44-8331

NEW	PARTS NO.	CLASS	QTY	DESCRIPTION	PAGE
	CY1-4292-000	D	1	LOCK UNIT	11
	XA1-7260-559	F	2	SCREW, CROSS-RECESS, PH	11
*	YA2-4154-000	D	1	RUBBER, PROTECTOR	11