

**Canon**

**EF 500mm 1:4.0L IS (ULTRASONIC)**

**REF.NO. C21-8471**

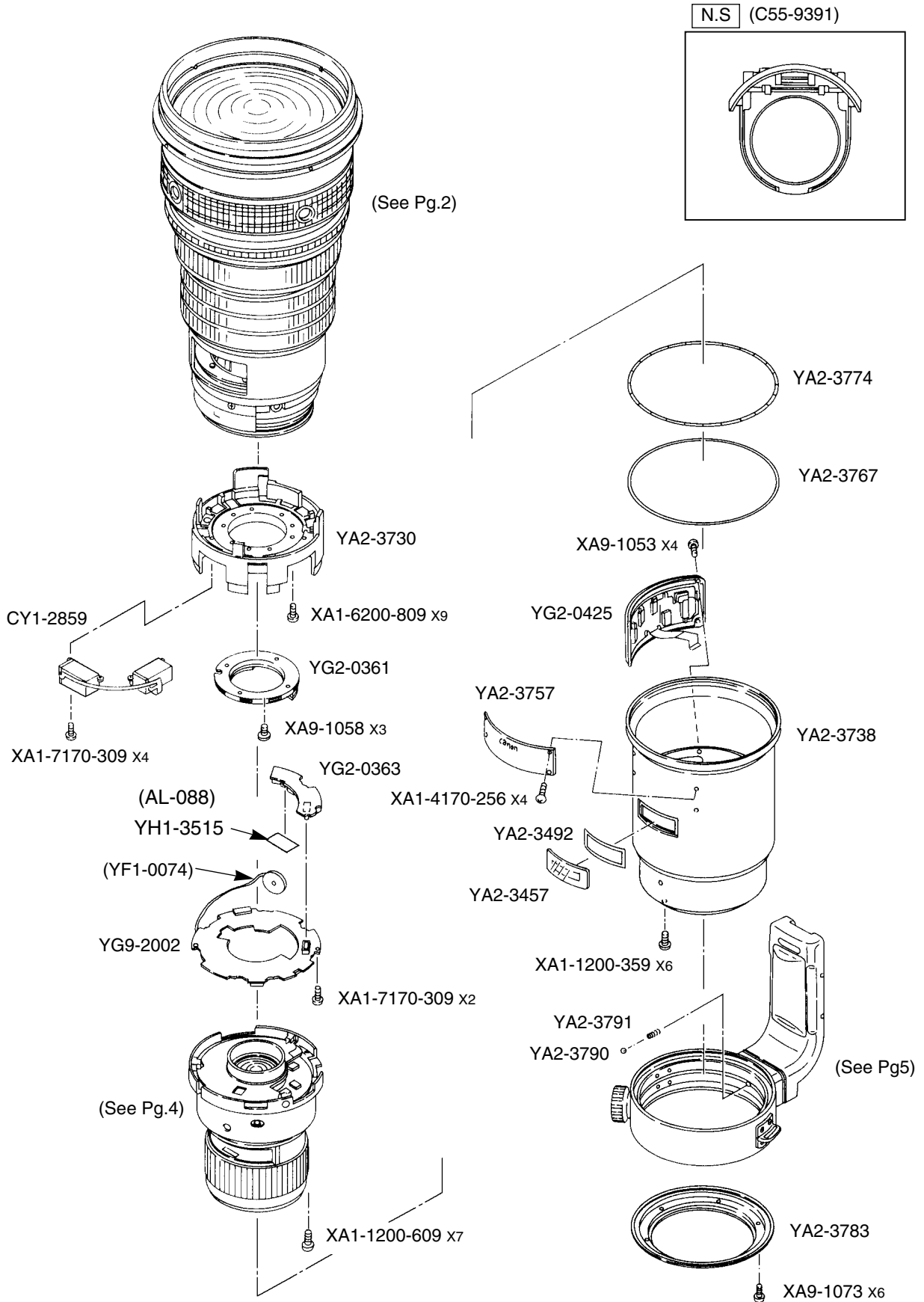
**LENS HOOD ET-138**

**C44-8311**

**PARTS  
CATALOG**

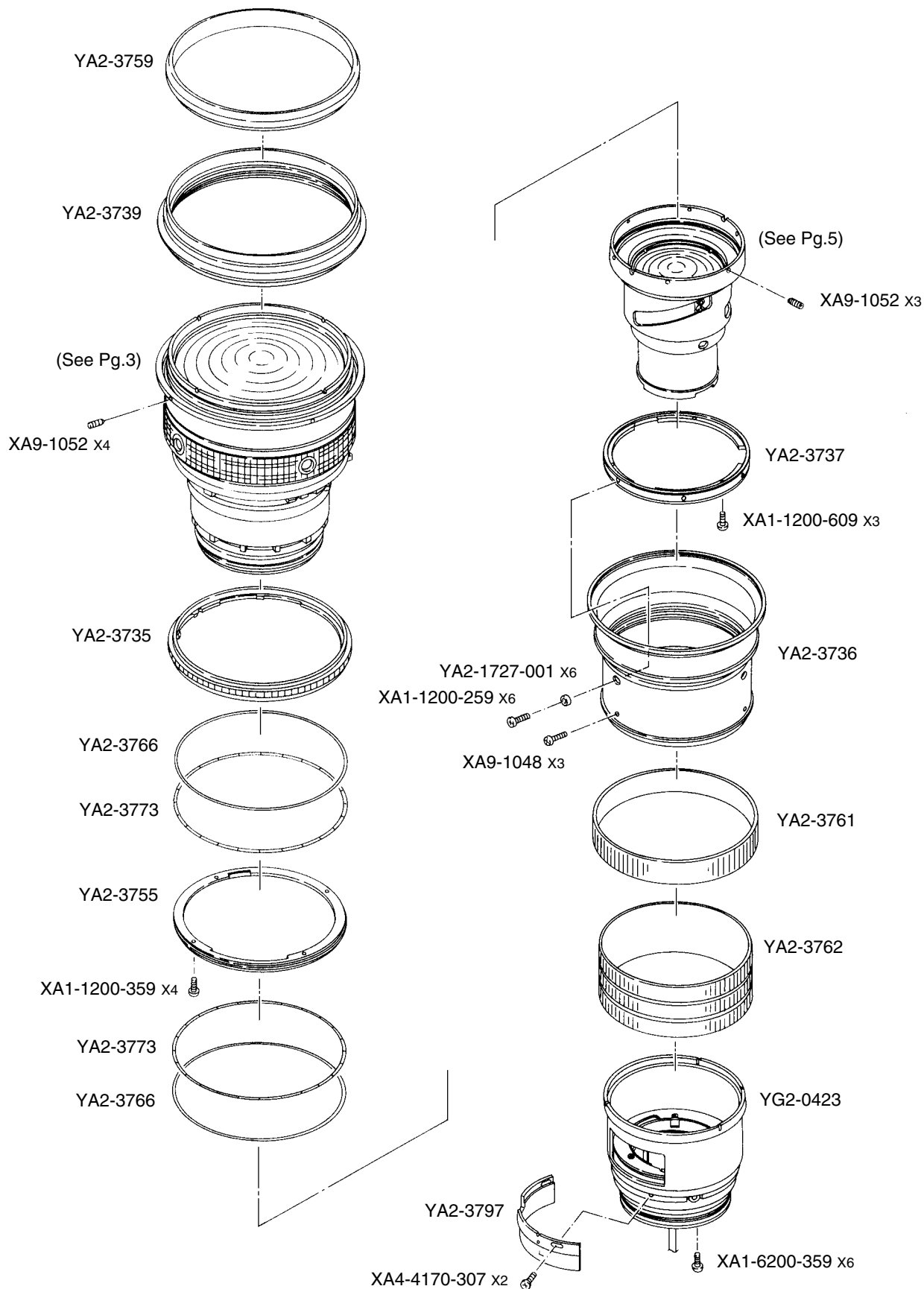
# CANON LENS EF 500 mm 1:4.0L IS USM

REF. C21-8471



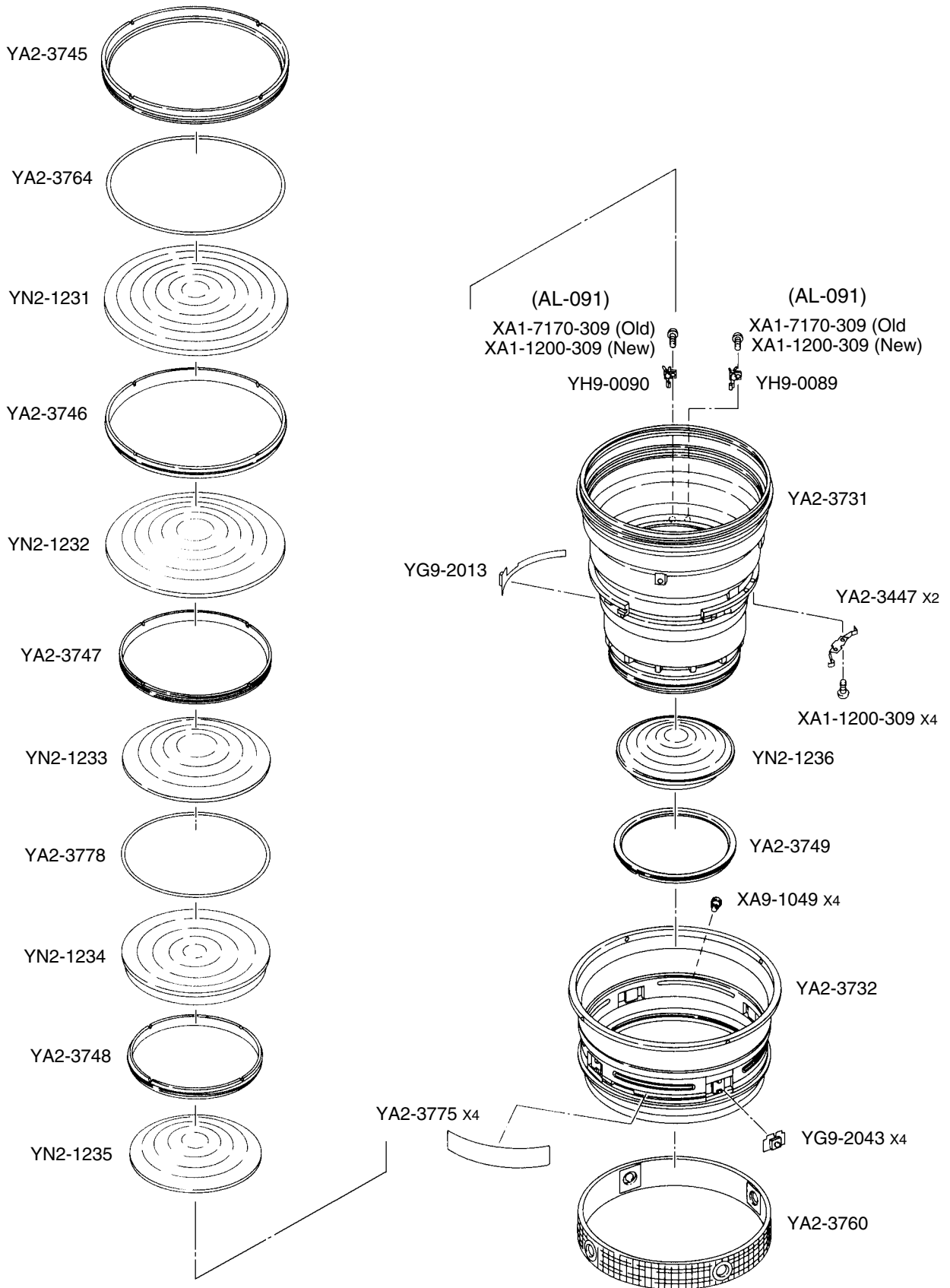
# CANON LENS EF 500 mm 1:4.0L IS USM

REF. C21-8471



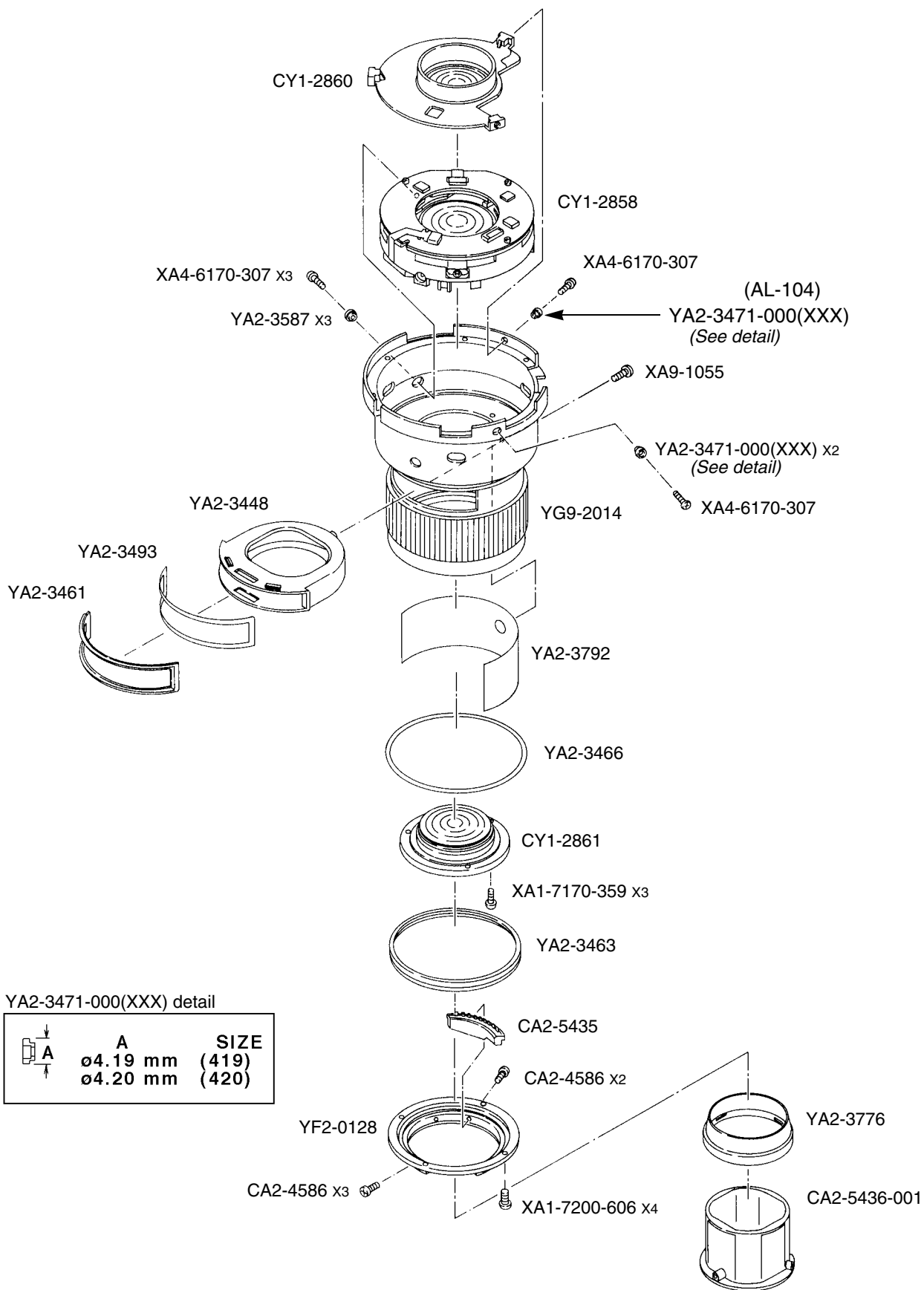
# CANON LENS EF 500 mm 1:4.0L IS USM

REF. C21-8471



CANON LENS EF 500 mm 1:4.0L IS USM

REF. C21-8471

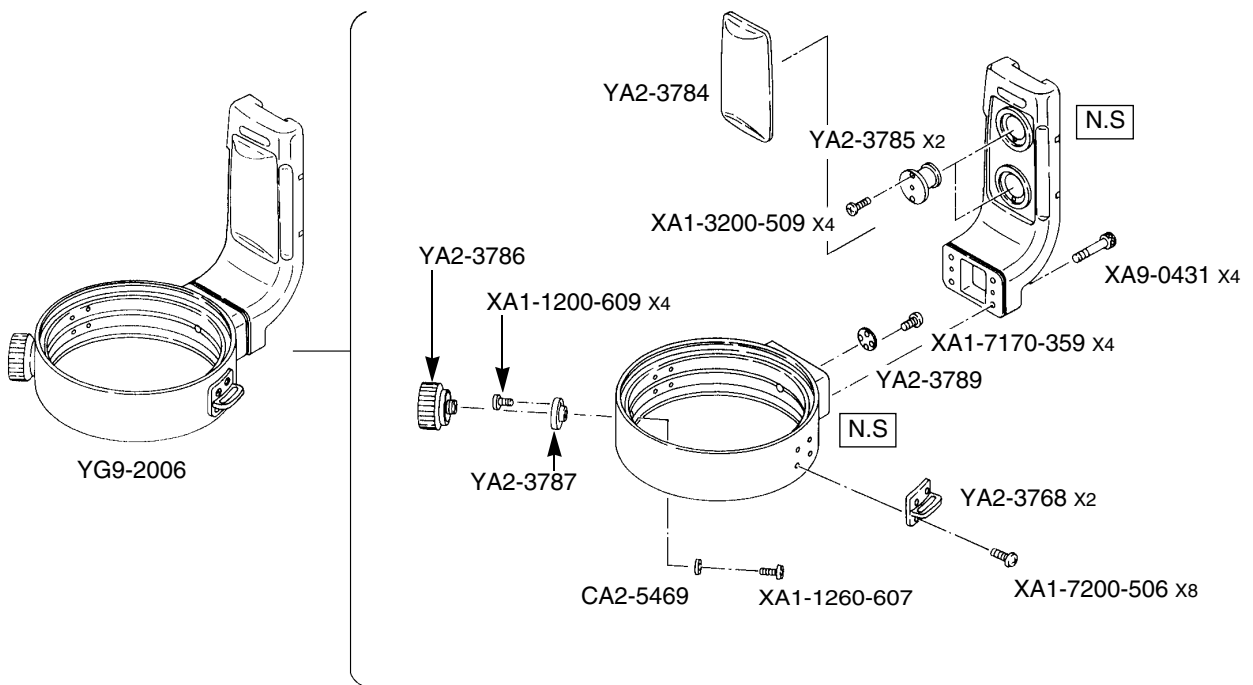
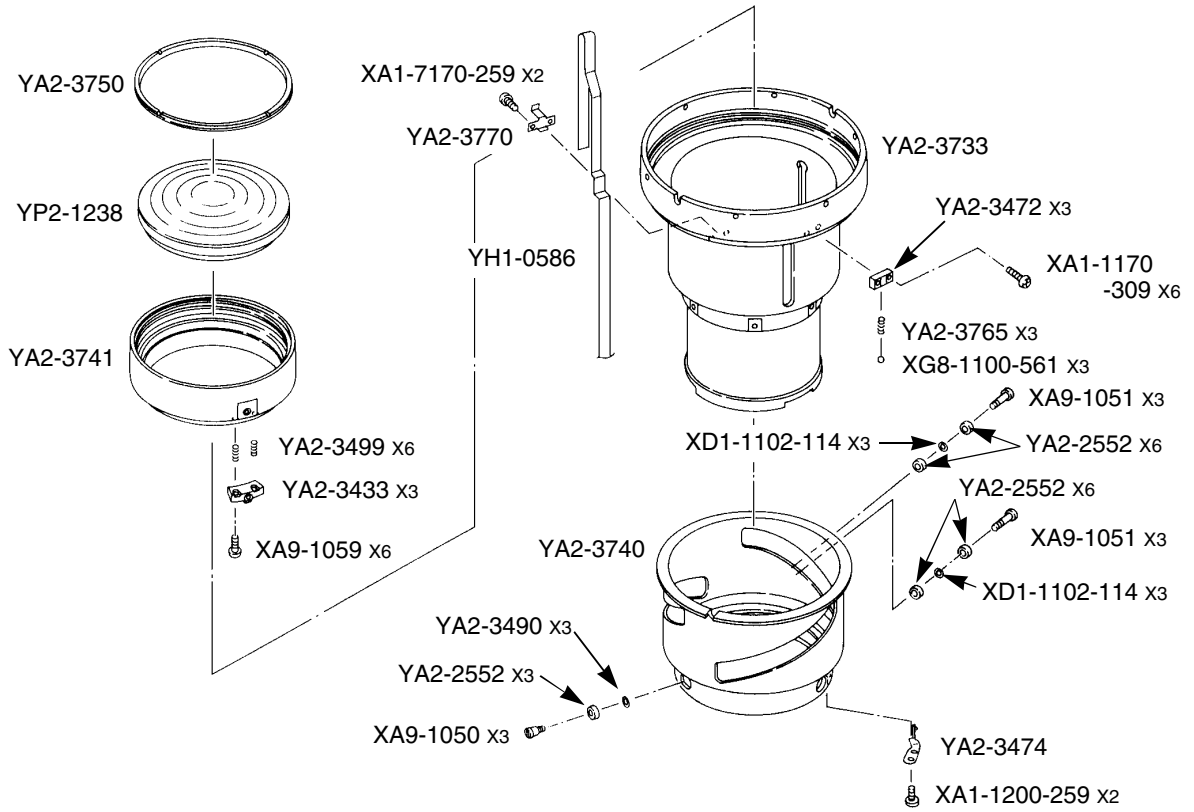


YA2-3471-000(XXX) detail

	A	SIZE
	ø4.19 mm	(419)
	ø4.20 mm	(420)

# CANON LENS EF 500 mm 1:4.0L IS USM

REF. C21-8471



## PARTS LIST

REF.NO. C21-8471

NEW	PARTS NO.	CLASS	QTY	DESCRIPTION	PAGE
	CA2-4586-000		5	SCREW	4
	CA2-5435-000	C	1	CONTACT ASS'Y	4
	CA2-5436-001	D	1	COVER, BACK	4
	CA2-5469-000	D	1	SPACER	5
	CY1-2858-000	C	1	IS LENS UNIT	4
	CY1-2859-000	C	1	GYRO SENSOR UNIT	1
	CY1-2860-000	D	1	LENS ASS'Y, 3RD GROUP	4
	CY1-2861-000	D	1	LENS ASS'Y, 5TH GROUP	4
	XA1-1170-309		6	SCREW, CROSS-RECESS, PH	5
	XA1-1200-259		8	SCREW, CROSS-RECESS, PH	2,5
	XA1-1200-309		6	SCREW, CROSS-RECESS, PH	3
	XA1-1200-359		10	SCREW, CROSS-RECESS, PH	1,2
	XA1-1200-609		14	SCREW, CROSS-RECESS, PH	1,2,5
	XA1-1260-607		1	SCREW, CROSS-RECESS, PH	5
	XA1-3200-509		4	SCREW, CROSS-RECESS, PH	5
	XA1-4170-256		4	SCREW, CROSS-RECESS, PH	1
	XA1-6200-359		6	SCREW, CROSS-RECESS, PH	2
	XA1-6200-809		9	SCREW, CROSS-RECESS, PH	1
	XA1-7170-259		2	SCREW, CROSS-RECESS, PH	5
	XA1-7170-309		6	SCREW, CROSS-RECESS, PH	1,3
	XA1-7170-359		7	SCREW, CROSS-RECESS, PH	4,5
	XA1-7200-506		8	SCREW, CROSS-RECESS, PH	5
	XA1-7200-606		4	SCREW, CROSS-RECESS, PH	4
	XA4-4170-307		2	SCREW, CROSS-RECESS, PH	2
	XA4-6170-307		6	SCREW, CROSS-RECESS, PH	4
	XA9-0431-000		4	SCREW	5
	XA9-1048-000		3	SCREW	2
	XA9-1049-000		4	SCREW	3
	XA9-1050-000		3	SCREW	5
	XA9-1051-000		6	SCREW	5
	XA9-1052-000		7	SETSCREW, SLOTTED, HLCP	2
	XA9-1053-000		4	SCREW	1
	XA9-1055-000		1	SCREW	4
	XA9-1058-000		3	SCREW	1
	XA9-1059-000	D	6	SCREW	5
	XA9-1073-000		6	SCREW	1
	XD1-1102-114	E	6	WASHER	5
	XG8-1100-561	E	3	BALL, STEEL	5
	YA2-1727-001	C	6	PLATE, STOPPER	2
	YA2-2552-000	D	15	BEARING, ROLLER	5
	YA2-3433-000	D	3	GUIDE, FRICTION	5
	YA2-3447-000	D	2	SPRING, PLATE	3
	YA2-3448-000	D	1	BOX, FILTER	4
	CA2-4586-000		5	SCREW	4
	YA2-3457-000	C	1	WINDOW, SCALE	1
	YA2-3461-000	C	1	SEAL, RUBBER	4

## PARTS LIST

REF.NO. C21-8471

NEW	PARTS NO.	CLASS	QTY	DESCRIPTION	PAGE
	CA2-4586-000		5	SCREW	4
	YA2-3463-000	C	1	RUBBER, MOUNT	4
	YA2-3466-000	C	1	O RING, SHIELD (67)	4
	YA2-3471-000(XXX)	D	3	COLLAR, ECCENTRIC	4
	YA2-3472-000	D	3	HOLDR, SPRING	5
	YA2-3474-000	D	1	SPRING, PLATE	5
	YA2-3490-000	E	3	WASHER	5
	YA2-3492-000	C	1	TAPE, DOUBLE SIDED	1
	YA2-3493-000	C	1	TAPE, DOUBLE SIDED	4
	YA2-3499-000	D	6	SPRING, COIL	5
	YA2-3587-000	D	3	COLLAR, ECCENTRIC	4
	YA2-3730-000	D	1	SLEEVE	1
	YA2-3731-000	D	1	BARREL, FRONT LENS	3
	YA2-3732-000	C	1	RING, AF SWITCH	3
	YA2-3733-000	D	1	BARREL, GUIDE	5
	YA2-3735-000	C	1	RING, FOCUS PRESET	2
	YA2-3736-000	C	1	RING, FOCUSING	2
	YA2-3737-000	D	1	RING, FOCUS FRICTION	2
	YA2-3738-000	C	1	SLEEVE, INDICATOR	1
	YA2-3739-000	C	1	RING, PROTECTION	2
	YA2-3740-000	D	1	BARREL CAM	5
	YA2-3741-000	D	1	BARREL, 2ND LENS GROUP	5
	YA2-3745-000	D	1	COLLAR, ASSEMBLY (G1)	3
	YA2-3746-000	D	1	COLLAR, ASSEMBLY (G2)	3
	YA2-3747-000	D	1	COLLAR, ASSEMBLY (G3)	3
	YA2-3748-000	D	1	COLLAR, ASSEMBLY (G5)	3
	YA2-3749-000	D	1	COLLAR, ASSEMBLY (G6)	3
	YA2-3750-000	D	1	COLLAR, ASSEMBLY (G7)	5
	YA2-3755-000	D	1	HOLDER, F.P. RING	2
	YA2-3757-000	C	1	PLATE, NAME	1
	YA2-3759-000	C	1	RING, RUBBER	2
	YA2-3760-000	D	1	RUBBER RING, AF SWITCH	3
	YA2-3761-000	D	1	RUBBER RING, FOCUSING 1	2
	YA2-3762-000	D	1	RUBBER RING, FOCUSING 2	2
	YA2-3764-000	C	1	O RING, SHILD (120)	3
	YA2-3765-000	D	3	SPRING, COIL	5
	YA2-3766-000	C	2	WASHER (118.6)	2
	YA2-3767-000	C	1	WASHER (102.2)	1
	YA2-3768-000	C	2	LUG, STRAP	5
	YA2-3770-000	D	1	HOLDER, C1-FLX	5
	YA2-3773-000	C	2	WASHER, WAVE (118.6)	2

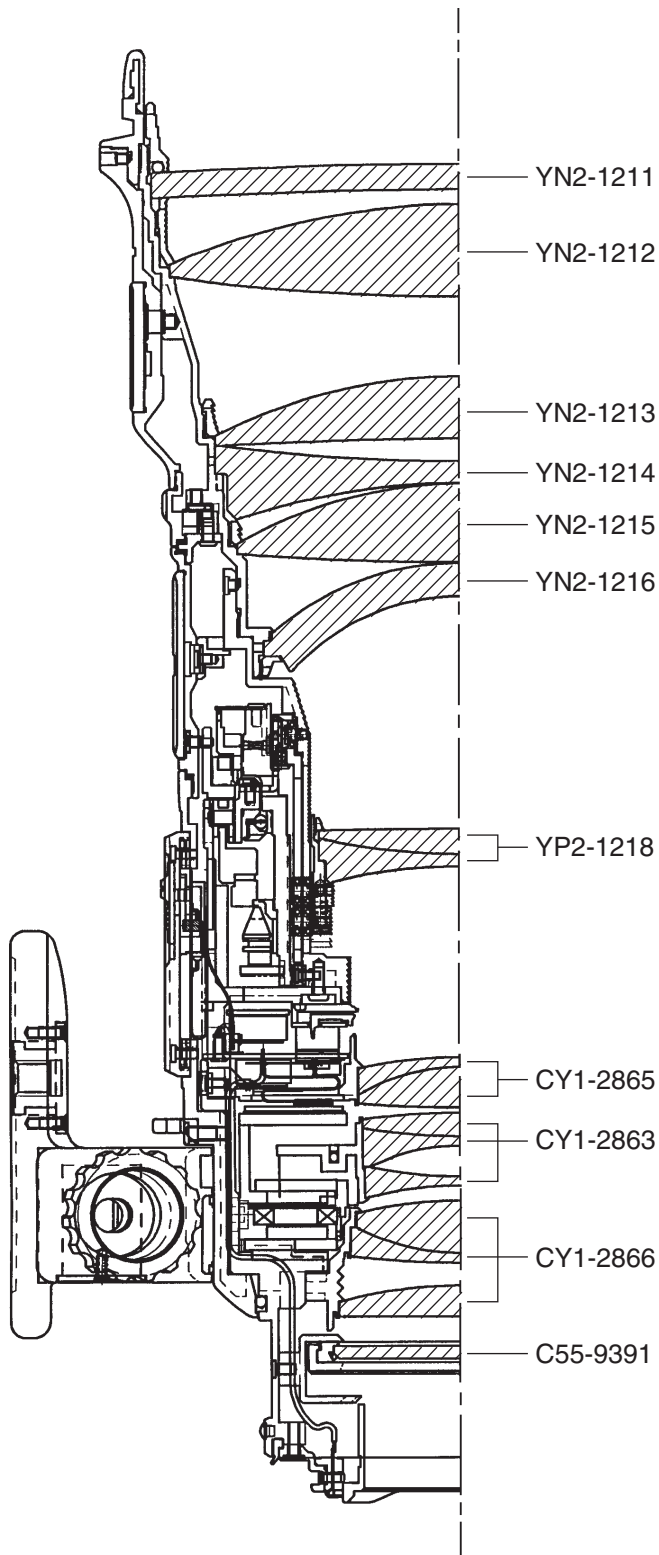


## PARTS LIST

REF.NO. C21-8471

NEW	PARTS NO.	CLASS	QTY	DESCRIPTION	PAGE
	CA2-4586-000		5	SCREW	4
	YA2-3774-000	C	1	WASHER, WAVE (102.2)	1
	YA2-3775-000	D	4	PLATE, REINFORCEMENT	3
	YA2-3776-000	D	1	RING, LIGHT SHIELD	4
	YA2-3778-000	D	1	SPACER	3
	YA2-3783-000	C	1	COLLAR, ASSEMBLY	1
	YA2-3784-000	D	1	RUBBER, TRIPOD	5
	YA2-3785-000	C	2	SOCKET, TRIPOD	5
	YA2-3786-000	C	1	KNOB, LOCK	5
	YA2-3787-000	D	1	NUT, LOCK	5
	YA2-3789-000	D	1	HOLDER, CLICK SPRING	5
	YA2-3790-000	D	1	BALL, STEEL	1
	YA2-3791-000	D	1	SPRING, COIL	1
	YA2-3792-000	D	1	SHEET, LIGHT SHIELD	4
	YA2-3797-000	C	1	RING, SCALE	2
	YF1-0074-000	C	1	BEEPER	1
	YF2-0128-000	C	1	MOUNT, LENS	4
	YG2-0361-000	C	1	POWER DIAPHRAGM UNIT	1
	YG2-0363-000	C	1	PCB ASS'Y, DC/DC	1
	YG2-0423-000	C	1	FOCUSING UNIT	2
	YG2-0425-000	C	1	SWITCH PANEL UNIT	1
	YG9-2002-000	C	1	PCB ASS'Y, MAIN	1
	YG9-2006-000	D	1	TRIPOD RING UNIT	5
	YG9-2013-000	C	1	FPC ASS'Y, C3	3
	YG9-2014-000	C	1	BARREL ASS'Y, FIXED	4
	YG9-2043-000	C	4	FPC ASS'Y, ST	3
	YH1-0586-000	D	1	FPC, C1	5
	YH1-3515-000	C	1	TAPE, SHIELD	1
	YH9-0089-000	C	1	SWITCH, LEAF (LEFT)	3
	YH9-0090-000	C	1	SWITCH, LEAF (RIGHT)	3
	YN2-1231-000	D	1	LENS, G1	3
	YN2-1232-000	D	1	LENS, G2	3
	YN2-1233-000	D	1	LENS, G3	3
	YN2-1234-000	D	1	LENS, G4	3
	YN2-1235-000	D	1	LENS, G5	3
	YN2-1236-000	D	1	LENS, G6	3
	YP2-1238-000	D	1	LENS, G7/8	5

CANON LENS EF 300mm 1:2.8L IS USM

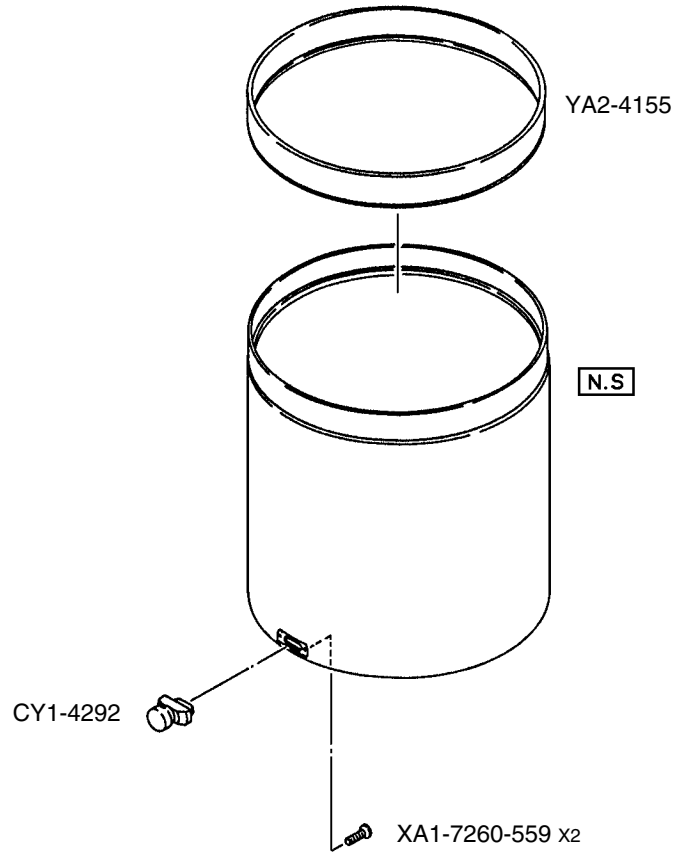


# CANON LENS HOOD

ET-138

For EF 500 mm 1:4.0L IS USM

REF. C44-8311



## PARTS LIST

REF.NO. C44-8311

NEW	PARTS NO.	CLASS	QTY	DESCRIPTION	PAGE
	CY1-4292-000	D	1	LOCK UNIT	10
	XA1-7260-559	F	2	SCREW, CROSS-RECESS, PH	10
	YA2-4155-000	D	1	RUBBER, PROTECTOR	10