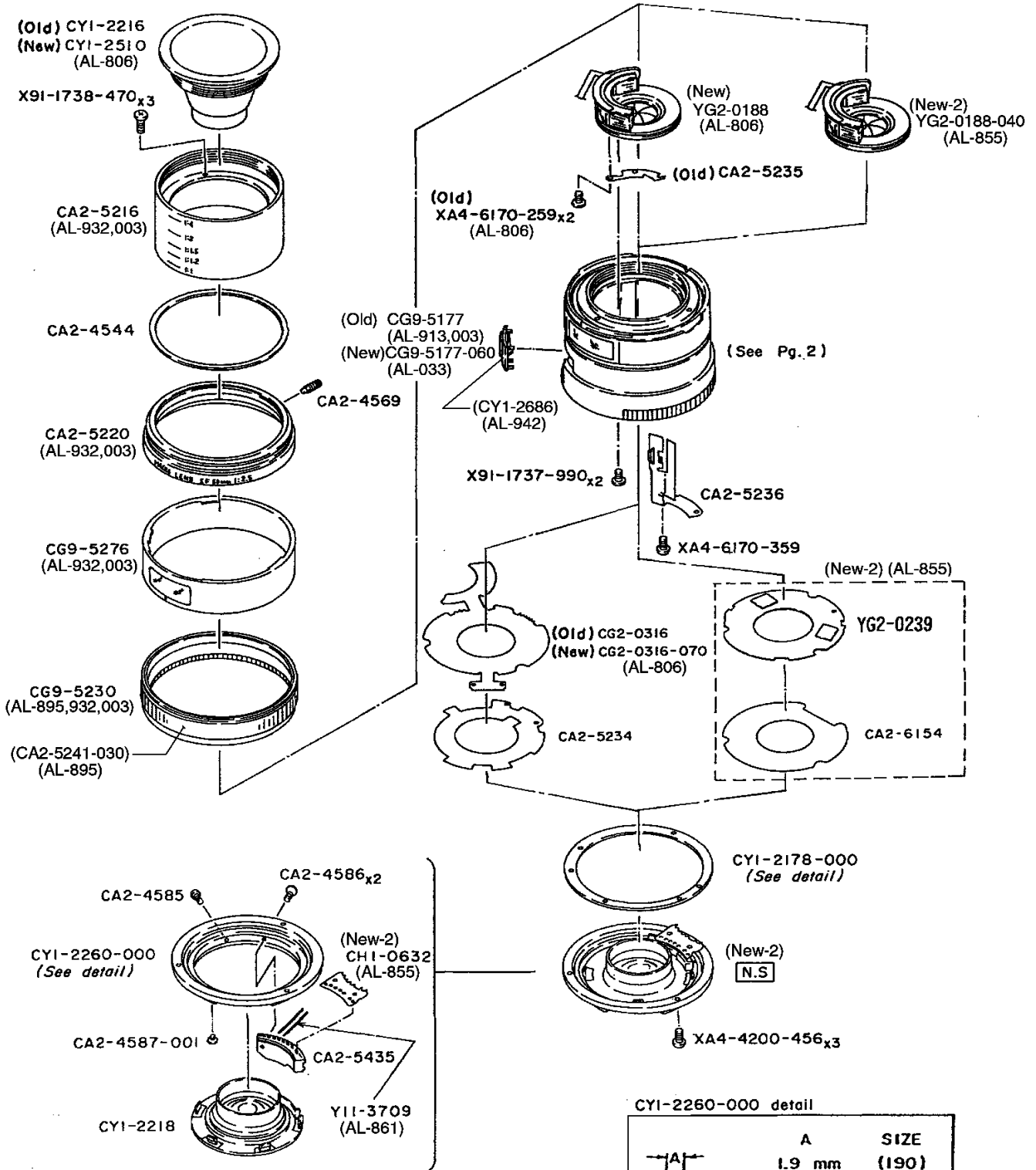


Canon

**EF 50mm 1:2.5 MACRO(COMPACT)
REF.NO.C26-1191**

**PARTS
CATALOG**

CANON LENS EF 50 mm 1:2.5 MACRO (COMPACT)



CY1-2178-000 detail

Service Use Only.

A	SIZE
0.02 mm	(002)
0.05 mm	(005)

CY1-2260-000 detail

A	SIZE
1.9 mm	(190)
2.0 mm	(200)
2.1 mm	(210)
2.2 mm	(220)
2.3 mm	(230)
2.4 mm	(240)
2.5 mm	(250)
2.6 mm	(260)
2.7 mm	(270)

CANON LENS EF 50 mm 1:2.5 MACRO (COMPACT)

CA2-5227-000(XXX) (detail)

	A	SIZE
	$\phi 0.7 \text{ mm}$	(070) OLD
	$\phi 0.8 \text{ mm}$	(080) NEW

(Old) CA2-5227-000(070)

(AL-946)

(New) CA2-5227-000(080)

(AL-980) (See detail)

CN2-1074
(AL-959,003)

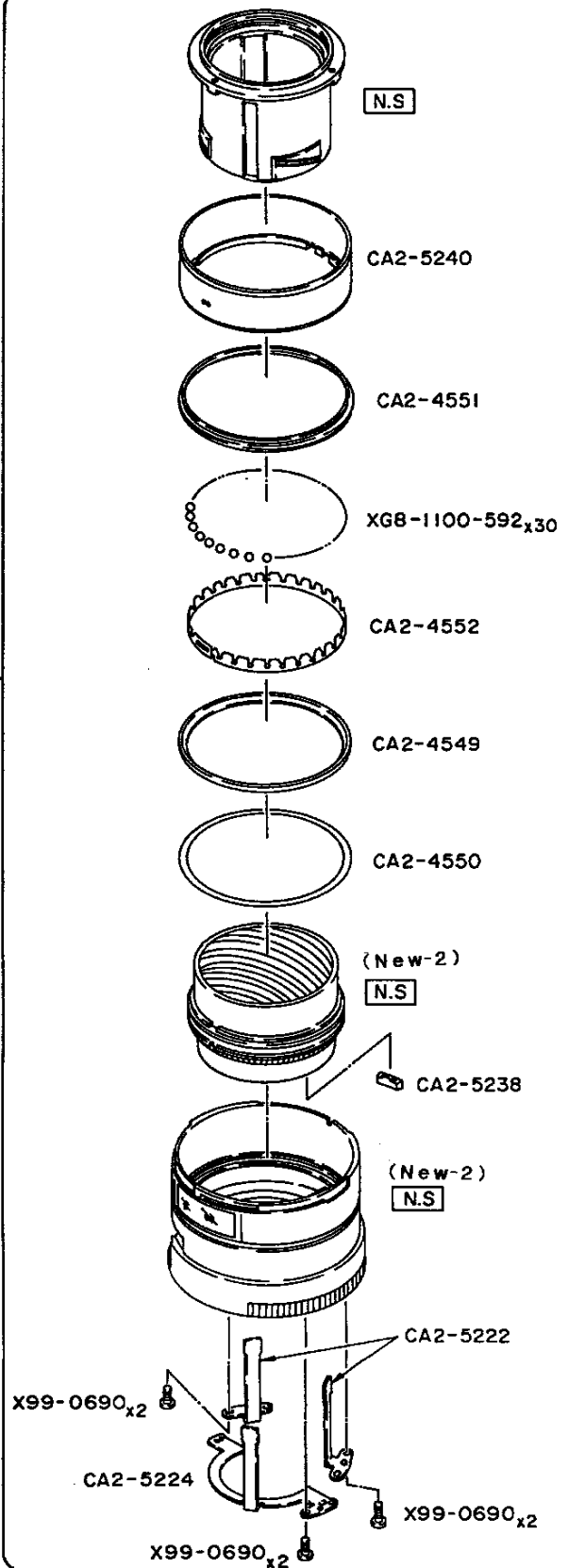
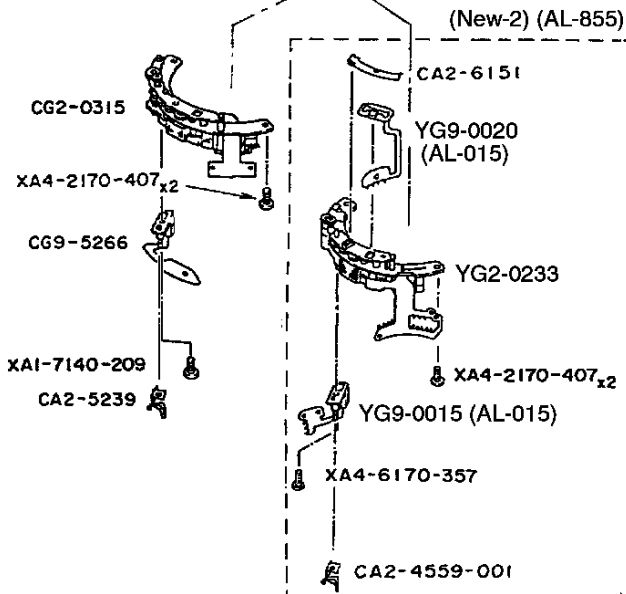
CA2-5223

CP2-1076
(AL-959,003)

(Old) CY1-2217

(New-2) CY1-2546

(AL-855)



PARTS LIST

REF.No.C26-1191

NEW	PART.NO.	CLASS	QTY	DESCRIPTION	PAGE
	CA2-4544-000	E	1	WASHER, DUST SHIELD	1
	CA2-4549-000	D	1	RACE, BEARING	2
	CA2-4550-000	E	1	WASHER, CUPPED	2
	CA2-4551-000	D	1	RACE, THREADAED	2
	CA2-4552-000	D	1	RETAINER	2
	CA2-4559-001	E	1	LEVER, CLUTCH	2
	CA2-4569-000	E	1	SCREW	1
	CA2-4585-000	E	1	SCREW, MOUNT STOPPER	1
	CA2-4586-000	E	2	SCREW	1
	CA2-4587-001	E	1	SCREW, BLIND	1
	CA2-5216-000	D	1	SLEEVE, FILTER	1
	CA2-5220-000	D	1	RING, NAME	1
	CA2-5222-000	E	2	KEY, A	2
	CA2-5223-000	E	1	SPACER, G4/5	2
	CA2-5224-000	E	1	KEY, B	2
	CA2-5227-000 (070)	E	1	RING, SNAP (OLD)	2
	CA2-5227-000 (080)	E	1	RING, SNAP (NEW)	2
	CA2-5234-000	E	1	SHEET, SHIELD	1
	CA2-5235-000	E	1	HOLDER A, FLEX (OLD)	1
	CA2-5236-000	E	1	HOLDER B, FLEX	1
	CA2-5238-000	D	1	RUBBER, FOCUSING STOPPER	2
	CA2-5239-000	E	1	LEVER, CLUTCH	2
	CA2-5240-000	E	1	RING, FOCUSING	2
	CA2-5241-030	D	1	RING, RUBBER	1
	CA2-5435-000	D	1	CONTACT ASS'Y	1
	CA2-6151-000	E	1	HOLDER, SENSOR	2
	CA2-6154-000	E	1	SHEET, SHIELD (NEW-2)	1
	CG2-0315-000	D	1	AF DRIVE UNIT	2
	CG2-0316-000	E	1	MAIN FLEX CBA (OLD)	1
	CG2-0316-070	E	1	MAIN FLEX CBA (NEW)	1
	CG9-5177-000	D	1	FRAME, SWITCH KNOB (OLD)	1
	CG9-5177-060	D	1	A/M SWITCH ASS'Y (NEW)	1
	CG9-5230-000	D	1	RING, MANUAL FOCUSING	1
	CG9-5266-000	E	1	SWITCH UNIT	2
	CG9-5276-000	D	1	RING, INDEX	1
	CH1-0632-000	E	1	PCB ASS'Y, M-FLEX(NEW-2)	1
	CN2-1074-000	D	1	LENS,G4	2
	CP2-1076-000	E	1	LENS, G5/6	2
	CY1-2178-000 (002)	E	1	WASHER, MOUNT	1
	CY1-2178-000 (005)	E	1	WASHER, MOUNT	1
	CY1-2216-000	D	1	FRONT LENS UNIT (OLD)	1
	CY1-2217-000	D	1	FOCUSING UNIT (OLD)	2
	CY1-2218-000	D	1	LENS/BACK COVER	1
	CY1-2260-000 (190)	E	1	MOUNT, LENS	1
	CY1-2260-000 (200)	E	1	MOUNT, LENS	1
	CY1-2260-000 (210)	E	1	MOUNT, LENS	1
	CY1-2260-000 (220)	E	1	MOUNT, LENS	1
	CY1-2260-000 (230)	E	1	MOUNT, LENS	1
	CY1-2260-000 (240)	E	1	MOUNT, LENS	1
	CY1-2260-000 (250)	E	1	MOUNT, LENS	1

PARTS LIST

REF.No.C26-1191

NEW	PART.NO.	CLASS	QTY	DESCRIPTION	PAGE
	CY1-2260-000 (260)	E	1	MOUNT, LENS	1
	CY1-2260-000 (270)	E	1	MOUNT, LENS	1
	CY1-2510-000	D	1	FRONT LENS UNIT (NEW)	1
	CY1-2546-000	D	1	FOCUSING UNIT (NEW-2)	2
	CY1-2686-000	D	1	COVER, A/M SWITCH	1
	X91-1737-990		2	SCREW, CROSS-RECESS, PH	1
	X91-1738-470		3	SCREW, CROSS-RECESS, PH	1
	X99-0690-000		6	SCREW, CROSS-RECESS, PH	2
	XA1-7140-209		1	SCREW, CROSS-RECESS, PH	2
	XA4-2170-407		2	SCREW, CROSS-RECESS, PH	2
	XA4-4200-456		3	SCREW, CROSS-RECESS, PH	1
	XA4-6170-259		2	SCREW, CROSS-RECESS, PH (OLD)	1
	XA4-6170-357		1	SCREW, CROSS-RECESS, PH	2
	XA4-6170-359		1	SCREW, CROSS-RECESS, PH	1
	XG8-1100-592		30	BALL, STEEL	2
	Y11-3709-000		1	LEAD, GREEN	1
	YG2-0188-000	D	1	POWER DIAPHRAGM UNIT (NEW)	1
	YG2-0188-040	D	1	POWER DIAPHRAGM UNIT (NEW-2)	1
	YG2-0233-000	D	1	AF DRIVE UNIT	2
	YG2-0239-000	E	1	MAIN FLEX CBA (NEW-2)	1
	YG9-0015-000	E	1	SWITCH UNIT	2
	YG9-0020-000	E	1	PHOTO REFLECTOR CBA	2

CANON LENS EF 50 mm 1:2.5 MACRO (COMPACT)

REF. NO. C26-1191

