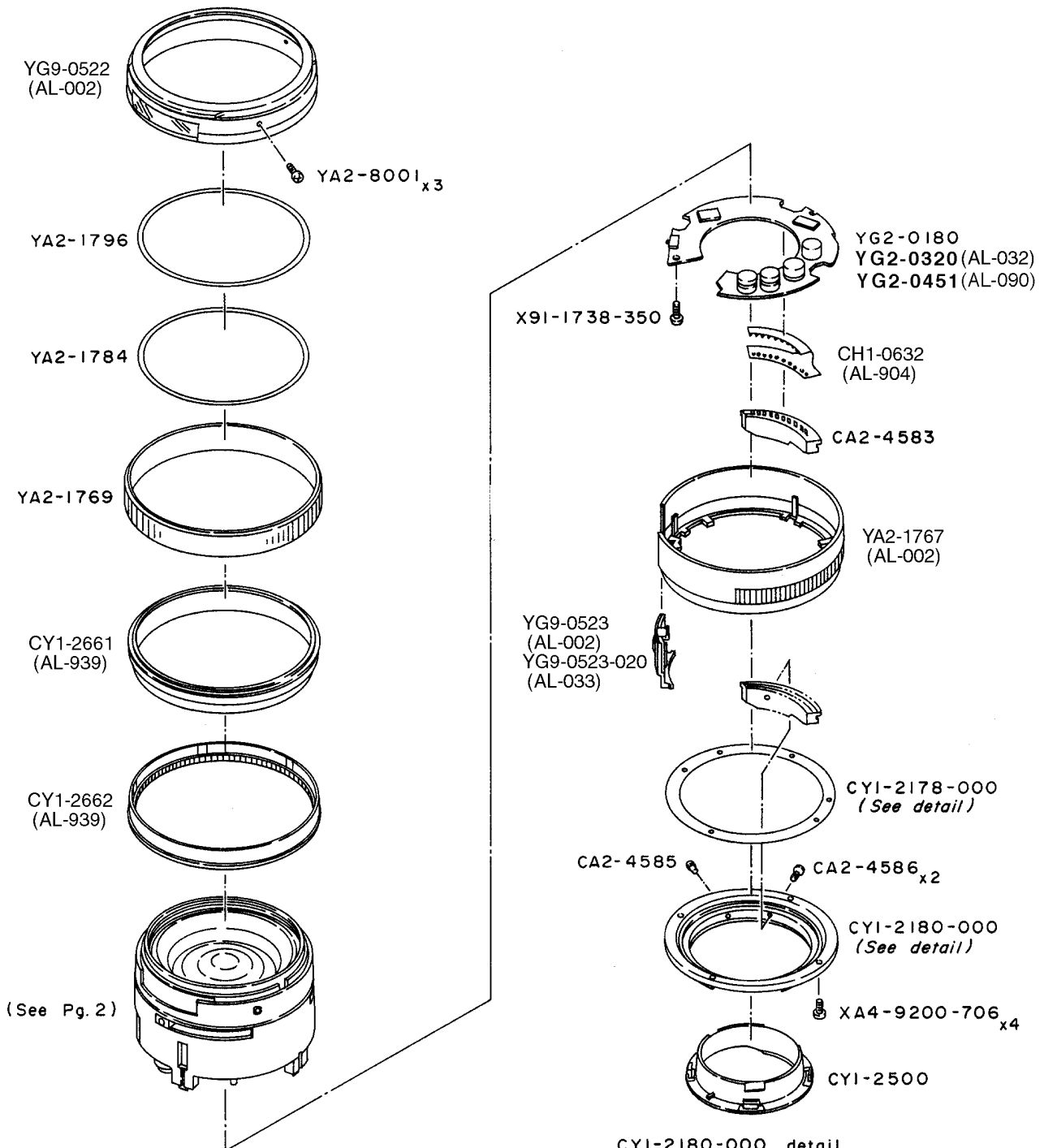


**Canon**

**EF 50mm 1:1.4 USM  
REF.NO.C21-6261**

**PARTS  
CATALOG**

# CANON LENS EF 50 mm 1:1.4 USM



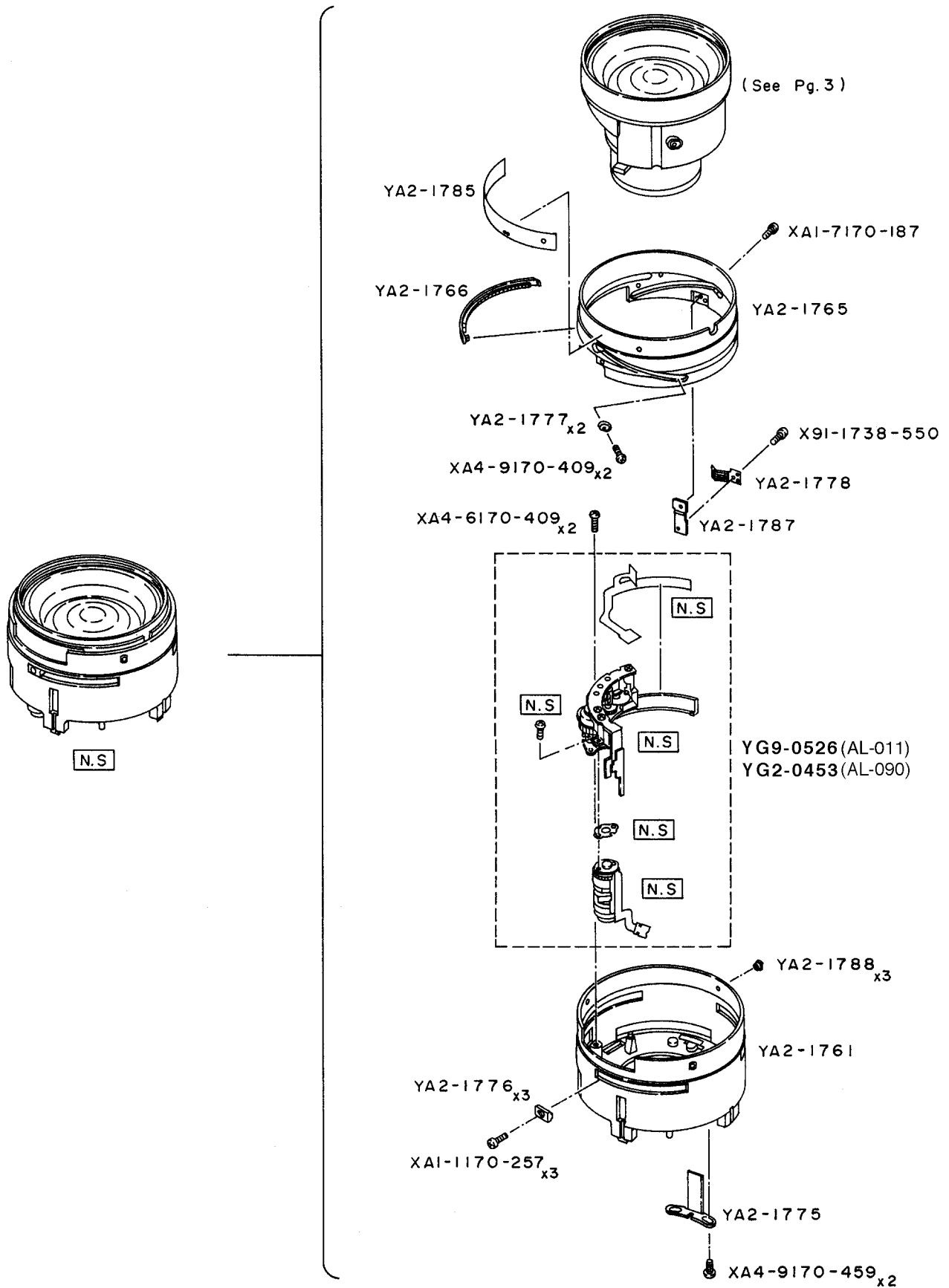
CY1-2178-000 detail

Service Use Only		
	A	SIZE
	0.02 mm	(002)
	0.05 mm	(005)

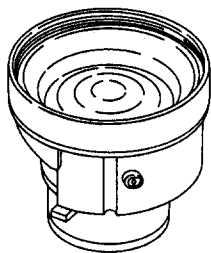
CY1-2180-000 detail

A	SIZE	A	SIZE
	1.5 mm (150)	2.1 mm (210)	
	1.6 mm (160)	2.2 mm (220)	
	1.7 mm (170)	2.3 mm (230)	
	1.8 mm (180)	2.4 mm (240)	
	1.9 mm (190)	2.5 mm (250)	
	2.0 mm (200)	2.6 mm (260)	
		2.7 mm (270)	

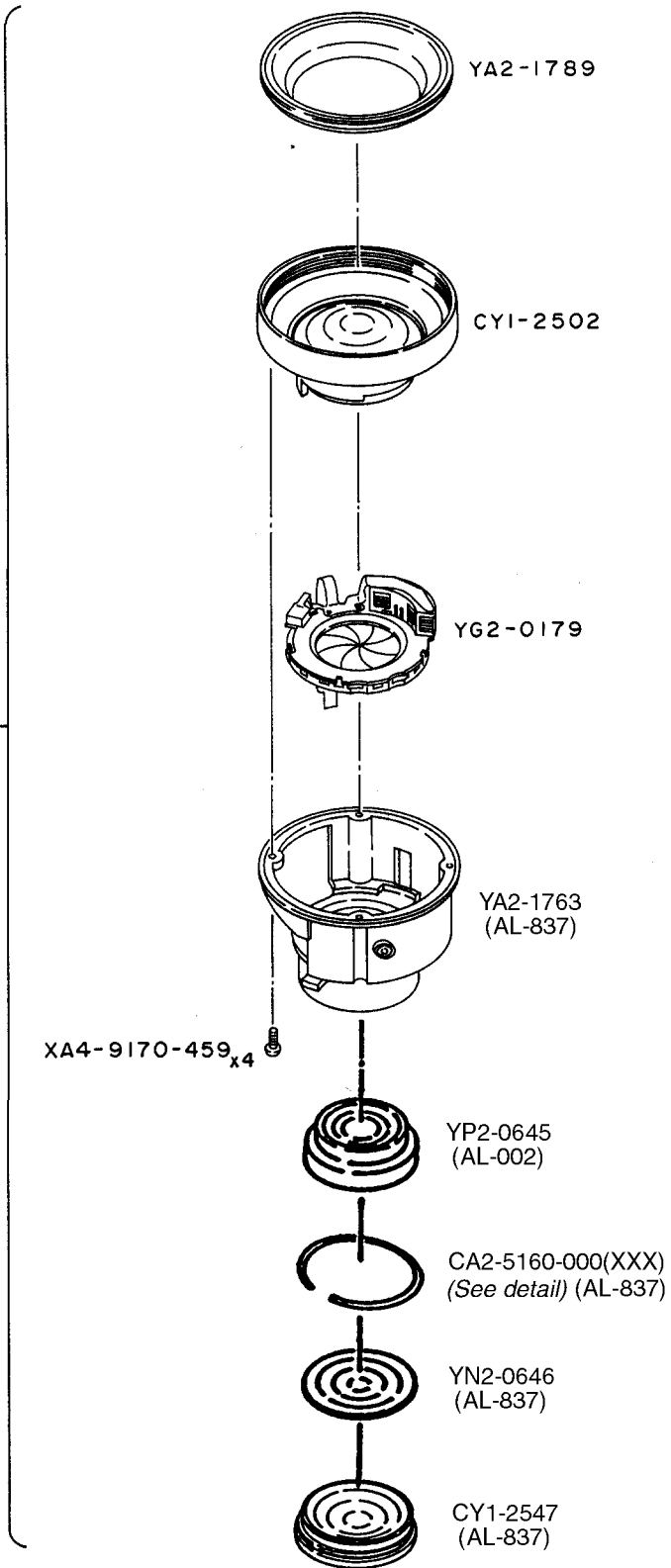
# CANON LENS EF 50 mm 1:1.4 USM



CANON LENS EF 50 mm 1:1.4 USM



N.S



CA2-5160-000 detail

	A	SIZE
	φ0.7 mm	(070)
	φ0.8 mm	(080)
	φ0.9 mm	(090)

# PARTS LIST

REF.No.C21-6261

NEW	PARTS NO.	CLASS	QTY	DESCRIPTION	PAGE
	CA2-4583-000	D	1	CONTACT ASS'Y	1
	CA2-4585-000	E	1	SCREW, MOUNT STOPPER	1
	CA2-4586-000	E	2	SCREW	1
	CA2-5160-000(XXX)	E	1	RING, SNAP	3
	CH1-0632-000	E	1	PCB ASS'Y, M-FLEX	1
	CY1-2178-000(XXX)	E	N	WASHER, MOUNT	1
	CY1-2180-000(XXX)	C	1	MOUNT, LENS	1
	CY1-2500-000	E	1	COVER, BACK	1
	CY1-2502-000	D	1	FRONT LENS UNIT	3
	CY1-2547-000	E	1	RING, REINFORCEMENT	3
	CY1-2661-000	D	1	RING, MANUAL FOCUSING 1	1
	CY1-2662-000	D	1	RING, MANUAL FOCUSING 2	1
	X91-1738-350		1	SCREW, CROSS-RECESS	1
	X91-1738-550		1	SCREW, CROSS-RECESS, PH	2
	XA1-1170-257		3	SCREW, CROSS-RECESS, PH	2
	XA1-7170-187		1	SCREW, CROSS-RECESS, PH	2
	XA4-6170-409		2	SCREW, CROSS-RECESS, PH	2
	XA4-9170-409		2	SCREW, CROSS-RECESS, PH	2
	XA4-9170-459		6	SCREW, CROSS-RECESS, PH	2,3
	XA4-9200-706		4	SCREW, CROSS-RECESS, PH	1
	YA2-1761-000	D	1	BARREL, FIXED	2
	YA2-1763-000	D	1	INTERMEDIATE BARREL	3
	YA2-1765-000	E	1	BARREL, CAM	2
	YA2-1766-000	E	1	GEAR, FOCUSING RACK	2
	YA2-1767-000	D	1	RING, INDEX	1
	YA2-1769-000	D	1	RING, RUBBER	1
	YA2-1775-000	E	1	KEY	2
	YA2-1776-000	D	3	FOLLOWER, CAM	2
	YA2-1777-000	D	2	FOLLOWER, CAM	2
	YA2-1778-000	D	1	BRUSH, FOCUSING	2
	YA2-1784-000	E	1	WASHER, DUST SHIELD	1
	YA2-1785-000	E	1	SCALE, FOCUSING	2
	YA2-1787-000	D	1	HOLDER, FOCUSING BRUSH	2
	YA2-1788-000	F	3	NUT, NAME RING	2
	YA2-1789-000	D	1	BAFFLE, FRONT	3
	YA2-1796-000	E	1	RING, REINFORCEMENT	1
	YA2-8001-000		3	SCREW	1
	YG2-0179-000	D	1	POWER DIAPHRAGM UNIT	3
	YG2-0180-000	D	1	MAIN CBA ASS'Y	1
	YG2-0320-000	D	1	PCB ASS'Y, MAIN	1
	YG2-0451-000	D	1	MAIN CBA ASS'Y (New)	1
	YG2-0453-000	D	1	AF DRIVE UNIT (New)	2
	YG9-0522-000	E	1	NAME RING UNIT	1
	YG9-0523-000	D	1	A/M SWITCH ASS'Y	1
	YG9-0523-020	D	1	A/M SWITCH ASS'Y	1
	YG9-0526-000	D	1	AF DRIVE UNIT	2
	YN2-0646-000	E	1	LENS, G6	3
	YP2-0645-000	E	1	LENS, G4/5	3

CANON LENS EF 50mm 1:1.4 USM

