

Canon

EF 400mm 1:2.8 L USM
REF.NO. C21-8282

CANON LENS HOOD

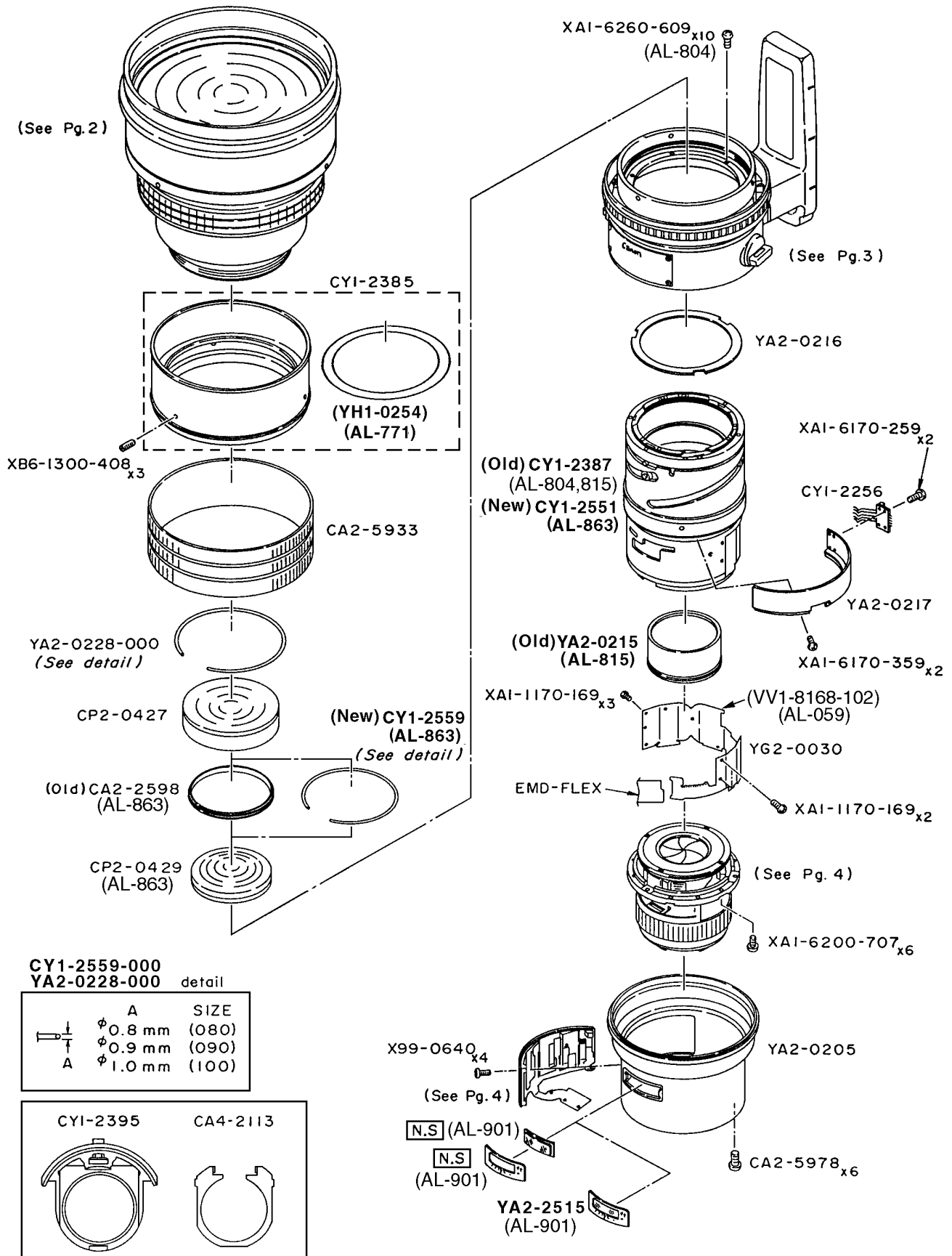
ET-161B	FOR EF 400mm 1:2.8 L	C44-8151
ET-161B II	FOR EF 400mm 1:2.8 L	C44-8152

PARTS

CATALOG

CANON LENS EF 400mm 1:2.8 L USM

REF.NO. C21-8282

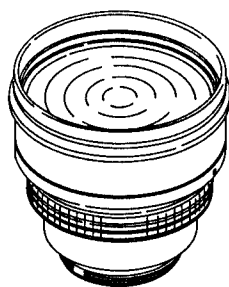


CANON LENS EF 400mm 1:2.8 L USM

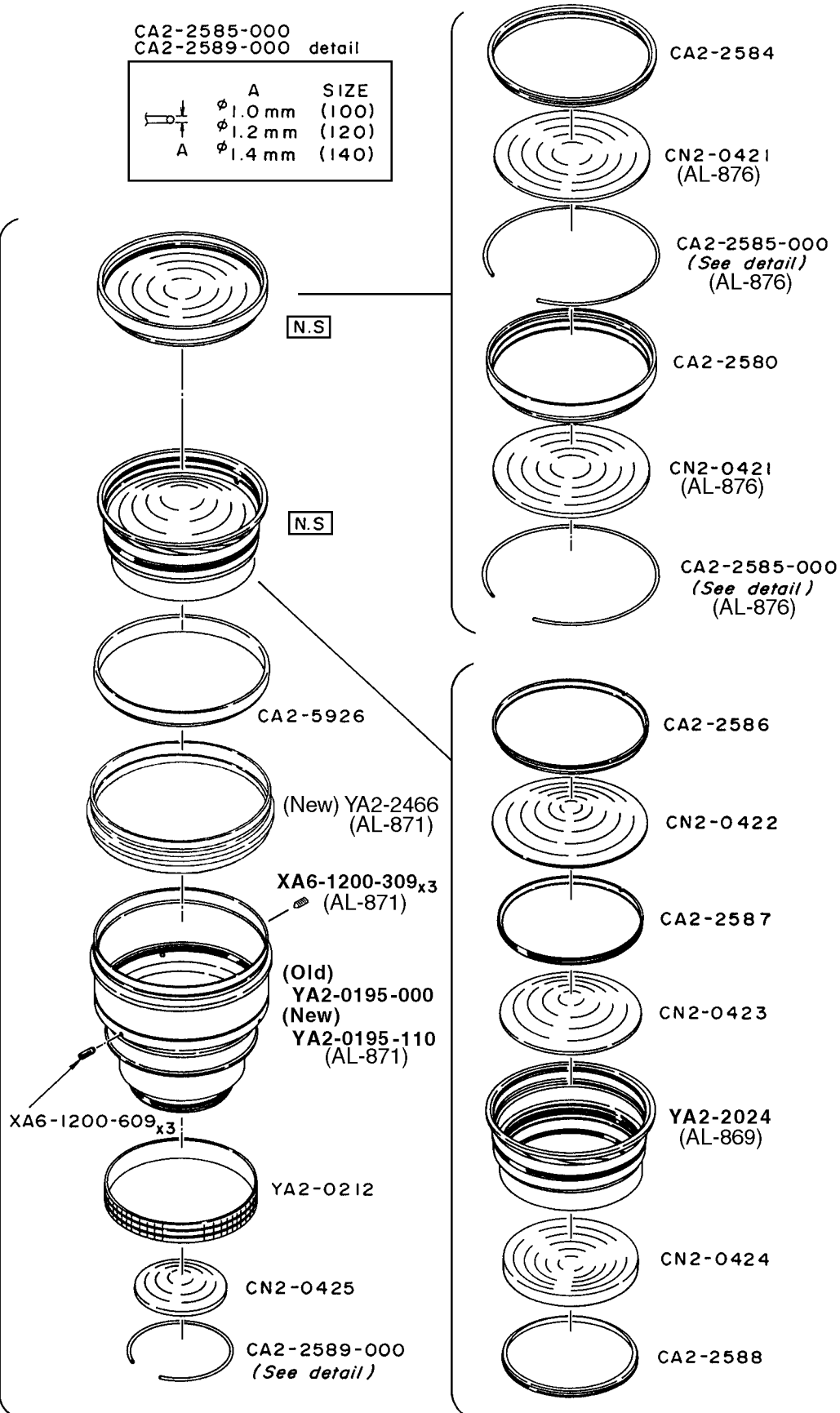
REF.NO. C21-8282

CA2-2585-000
CA2-2589-000 detail

	A	SIZE
	φ 1.0 mm	(100)
	φ 1.2 mm	(120)
	φ 1.4 mm	(140)

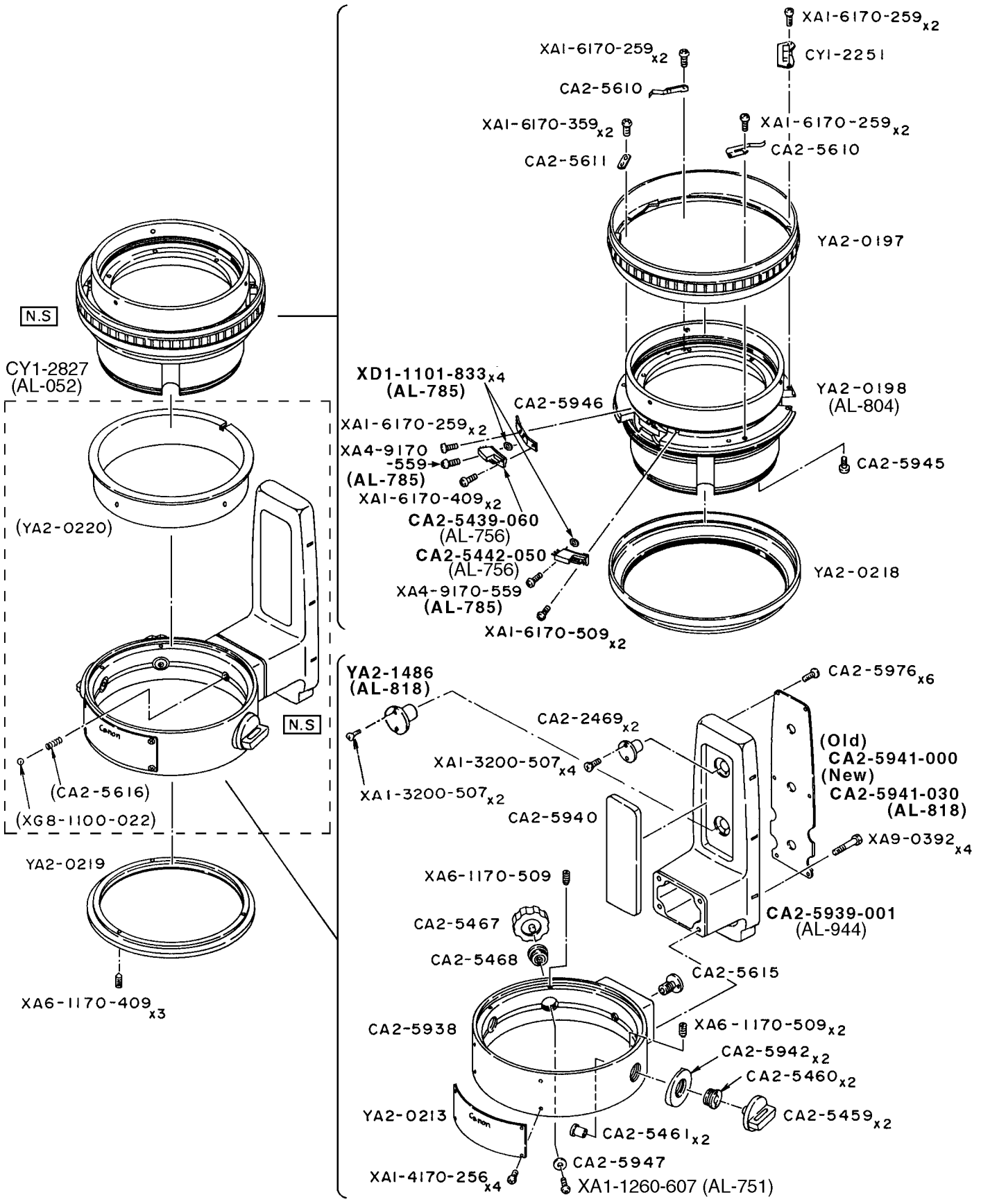


N.S



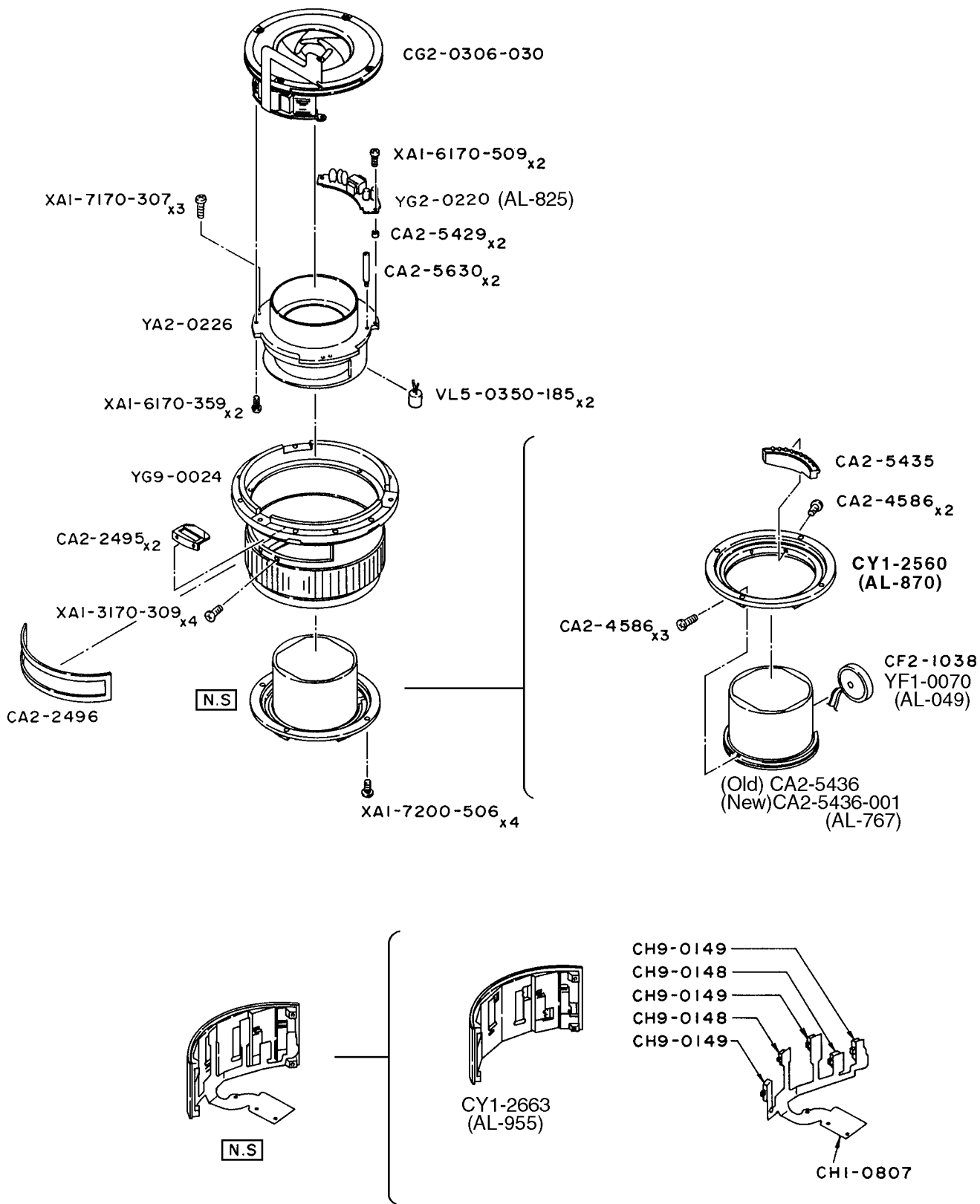
CANON LENS EF 400mm 1:2.8 L USM

REF.NO. C21-8282



CANON LENS EF 400mm 1:2.8 L USM

REF.NO. C21-8282



PARTS LIST

REF.No. C21-8282 EF400mm 1:2.8L USM

NEW	PARTS NO.	CLASS	QTY	DESCRIPTION	PAGE
	CA2-2469-000	D	2	SOCKET, TRIPOD	3
	CA2-2495-000	D	2	GUIDE, FILTER	4
	CA2-2496-000	C	1	SEAL, RUBBER	4
	CA2-2580-000	E	1	FRAME, LENS	2
	CA2-2584-000	E	1	FRAME, LENS	2
	CA2-2585-000 (XXX)	E	2	RING, SNAP	2
	CA2-2586-000	E	1	COLLAR, ASSEMBLY	2
	CA2-2587-000	E	1	COLLAR, ASSEMBLY	2
	CA2-2588-000	E	1	COLLAR, ASSEMBLY	2
	CA2-2589-000 (XXX)	E	1	RING, SNAP	2
	CA2-2598-000	E	1	COLLAR, ASSEMBLY	1
	CA2-4586-000	E	5	SCREW, CROSS-RECESS, PH	4
	CA2-5429-000	E	2	SPACER	4
	CA2-5435-000	D	1	CONTACT ASS'Y	4
	CA2-5436-000	D	1	COVER, BACK	4
	CA2-5436-001	D	1	COVER, BACK	4
	CA2-5439-060	E	1	CONTACT L	3
	CA2-5442-050	E	1	CONTACT R	3
	CA2-5459-000	D	2	LUG, STRAP	3
	CA2-5460-000	E	2	NUT	3
	CA2-5461-000	E	2	NUT, SLEEVE	3
	CA2-5467-000	D	1	KNOB	3
	CA2-5468-000	E	1	NUT, LOCK	3
	CA2-5610-000	E	2	SPRING, PLATE	3
	CA2-5611-000	E	1	STOPPER, F.P. RING	3
	CA2-5615-000	E	1	HOLDER, BALL	3
	CA2-5616-000	E	1	SPRING, COIL	3
	CA2-5630-000	E	2	STUD	4
	CA2-5926-000	D	1	PROTECTOR	2
	CA2-5933-000	E	1	RUBBER, MANUAL RING	1
	CA2-5938-000	D	1	RING, TRIPOD	3
	CA2-5939-001	D	1	BASE, TRIPOD	3
	CA2-5940-000	E	1	GRIP	3
	CA2-5941-000	D	1	PLATE, BASE (Old)	3
	CA2-5941-030	D	1	PLATE, BASE (New)	3
	CA2-5942-000	E	2	GUARD, LUG	3
	CA2-5945-000	E	1	SCREW	3
	CA2-5946-000	E	1	BASE, CONTACT L	3
	CA2-5947-000	E	1	WASHER	3
	CA2-5976-000	D	6	SCREW, SLSUM	3

PARTS LIST

REF.No. C21-8282 EF400mm 1:2.8L USM

NEW	PARTS NO.	CLASS	QTY	DESCRIPTION	PAGE
	CA2-5978-000	D	6	SCREW, SLSUM	1
	CA4-2113-000	D	1	HOLDER, GELATIN	1
	CF2-1038-000	E	1	BEEPER	4
	CG2-0306-030	D	1	POWER DIAPHRAGM UNIT	4
	CH1-0807-000	E	1	SW-FLEX	4
	CH9-0148-000	E	2	SWITCH, SLIDE	4
	CH9-0149-000	E	3	SWITCH, SLIDE	4
	CN2-0421-000	E	2	LENS, G1, G2	2
	CN2-0422-000	E	1	LENS, G3	2
	CN2-0423-000	E	1	LENS, G4	2
	CN2-0424-000	E	1	LENS, G5	2
	CN2-0425-000	E	1	LENS, G6	2
	CP2-0427-000	E	1	LENS, G7/8	1
	CP2-0429-000	E	1	LENS, G9/10	1
	CY1-2251-000	E	1	PRESET SWITCH UNIT	3
	CY1-2256-000	D	1	FOCUSING CONTACT UNIT	1
	CY1-2385-000	D	1	RING, MANUAL FOCUSING	1
	CY1-2387-000	E	1	FOCUSING UNIT (Old)	1
	CY1-2395-000	D	1	FILTER HOLDER UNIT	1
	CY1-2551-000	E	1	FOCUSING UNIT (New)	1
	CY1-2559-000 (XXX)	E	1	RING, SNAP	1
	CY1-2560-000	D	1	MOUNT, LENS	4
	CY1-2663-000	E	1	SWITCH PANEL UNIT	4
	CY1-2827-000	E	1	RING ASS'Y, TRIPOD	3
	VL5-0350-185	E	2	COIL	4
	VV1-8168-102	E	1	RESISTOR, 1KW 1/16W	1
	X99-0640-000		4	SCREW, CROSS-RECESS, PH	1
	XA1-1170-169		5	SCREW, CROSS-RECESS, PH	1
	XA1-1260-607		1	SCREW, CROSS-RECESS, PH	3
	XA1-3170-309		4	SCREW, CROSS-RECESS, PH	4
	XA1-3200-507		6	SCREW, CROSS-RECESS, PH	3
	XA1-4170-256		4	SCREW, CROSS-RECESS, PH	3
	XA1-6170-259		10	SCREW, CROSS-RECESS, PH	1,3
	XA1-6170-359		6	SCREW, CROSS-RECESS, PH	1,3,4
	XA1-6170-409		2	SCREW, CROSS-RECESS, PH	3
	XA1-6170-509		4	SCREW, CROSS-RECESS, PH	3,4
	XA1-6200-707		6	SCREW, CROSS-RECESS, PH	1
	XA1-6260-609		10	SCREW, CROSS-RECESS, PH	1
	XA1-7170-307		3	SCREW, CROSS-RECESS, PH	4
	XA1-7200-506		4	SCREW, CROSS-RECESS, PH	4

PARTS LIST

REF.No. C21-8282 EF400mm 1:2.8L USM

NEW	PARTS NO.	CLASS	QTY	DESCRIPTION	PAGE
	XA4-9170-559		2	SCREW, CROSS-RECESS, PH	3
	XA6-1170-409		3	SETSCREW, SLOTTED, HLCP	3
	XA6-1170-509		3	SETSCREW, SLOTTED, HLCP	3
	XA6-1200-309		3	SETSCREW, SLOTTED, HLCP	2
	XA6-1200-609		3	SETSCREW, SLOTTED, HLCP	2
	XA9-0392-000		4	BOLT, HEXAGON SOCKET	3
	XB6-1300-408		3	SCREW, HEX SOCKET	1
	XD1-1101-833		4	WASHER	3
	XG8-1100-022		1	BALL, STEEL	3
	YA2-0195-000	D	1	BARREL, FRONT LENS (Old)	2
	YA2-0195-110	D	1	BARREL, FRONT LENS (New)	2
	YA2-0197-000	D	1	RING, FOCUS PRESET	3
	YA2-0198-000	E	1	BARREL, INTERMEDIATE	3
	YA2-0205-000	D	1	SLEEVE, INDICATOR	1
	YA2-0212-000	D	1	RING, RUBBER	2
	YA2-0213-000	D	1	PLATE, NAME	3
	YA2-0215-000	E	1	BAFFLE	1
	YA2-0216-000	E	1	SEAL, MASK	1
	YA2-0217-000	E	1	HOLDER, BRUSH	1
	YA2-0218-000	E	1	RING	3
	YA2-0219-000	E	1	COLLAR, ASSEMBLY	3
	YA2-0220-000	E	1	RING, CLICK	3
	YA2-0226-000	E	1	SLEEVE, IRIS	4
	YA2-0228-000 (XXX)	E	1	RING, SNAP	1
	YA2-1486-000	D	1	SOCKET, TRIPOD	3
	YA2-2024-000	E	1	BARREL, FRONT	2
	YA2-2466-000	E	1	RING, PROTECTION	2
	YA2-2515-000	E	1	WINDOW, DEPTH OF FIELD	1
	YF1-0070-000	E	1	BEEPER	4
	YG2-0030-000	D	1	FPC ASS'Y, MAIN	1
	YG2-0220-000	D	1	CONVERTER, DC/DC	4
	YG9-0024-000	D	1	BARREL, FIXED	4
	YH1-0254-000	D	1	CONTACT BOARD, M-FOCUS	1

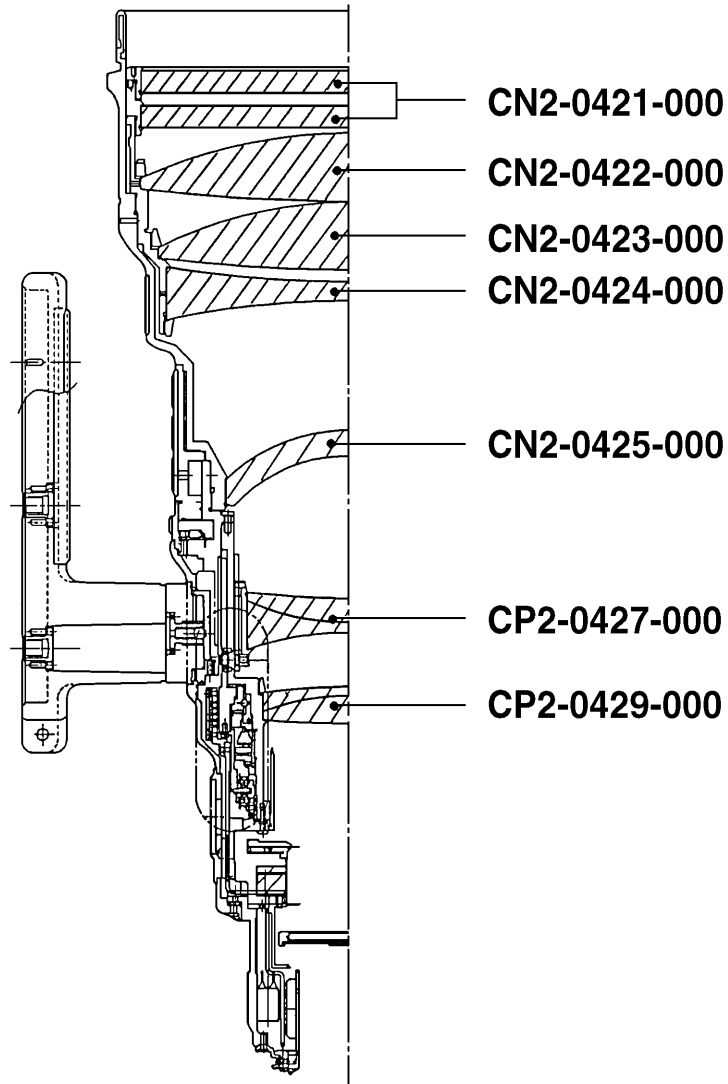
CANON LENS EF 400mm 1:2.8 L USM

REF.NO. C21-8282

Pg 9

CANON LENS EF 400 mm 1:2.8 L USM

REF.NO. C21-8282



CANON LENS HOOD

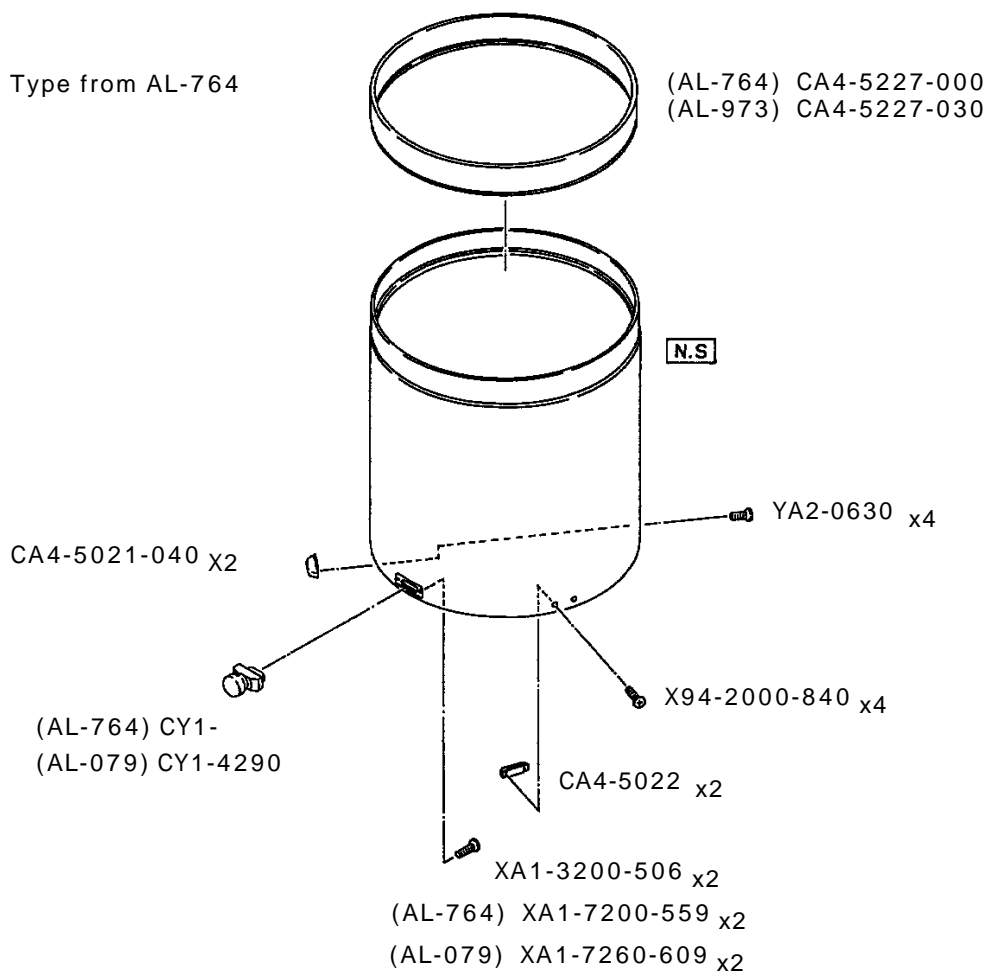
ET-161B For EF 400 mm 1:2.8 L

C44-8151

ET-161B II For EF 400 mm 1:2.8 L

C44-8152

*161B II Type from AL-764



PARTS LIST

REF.No. C44-8151
C44-8152

LENS HOOD
ET-161B, ET-161B II

NEW	PART NO.	CLASS	QTY	DESCRIPTION	PAGE
	CA4-5021-040	E	2	TAB-1, HOOD	8
	CA4-5022-000	E	2	TAB-2, HOOD	8
	CA4-5227-000	D	1	PROTECTOR	8
	CA4-5227-030	D	1	PROTECTOR	8
	CY1-4189-000	D	1	LOCK UNIT	8
	CY1-4290-000	D	1	LOCK UNIT	8
	X94-2000-840		4	SCREW	8
	XA1-3200-506		2	SCREW	8
	XA1-7200-559		2	SCREW	8
	XA1-7260-609		2	SCREW	8
	YA2-0630-000		4	SCREW	8