

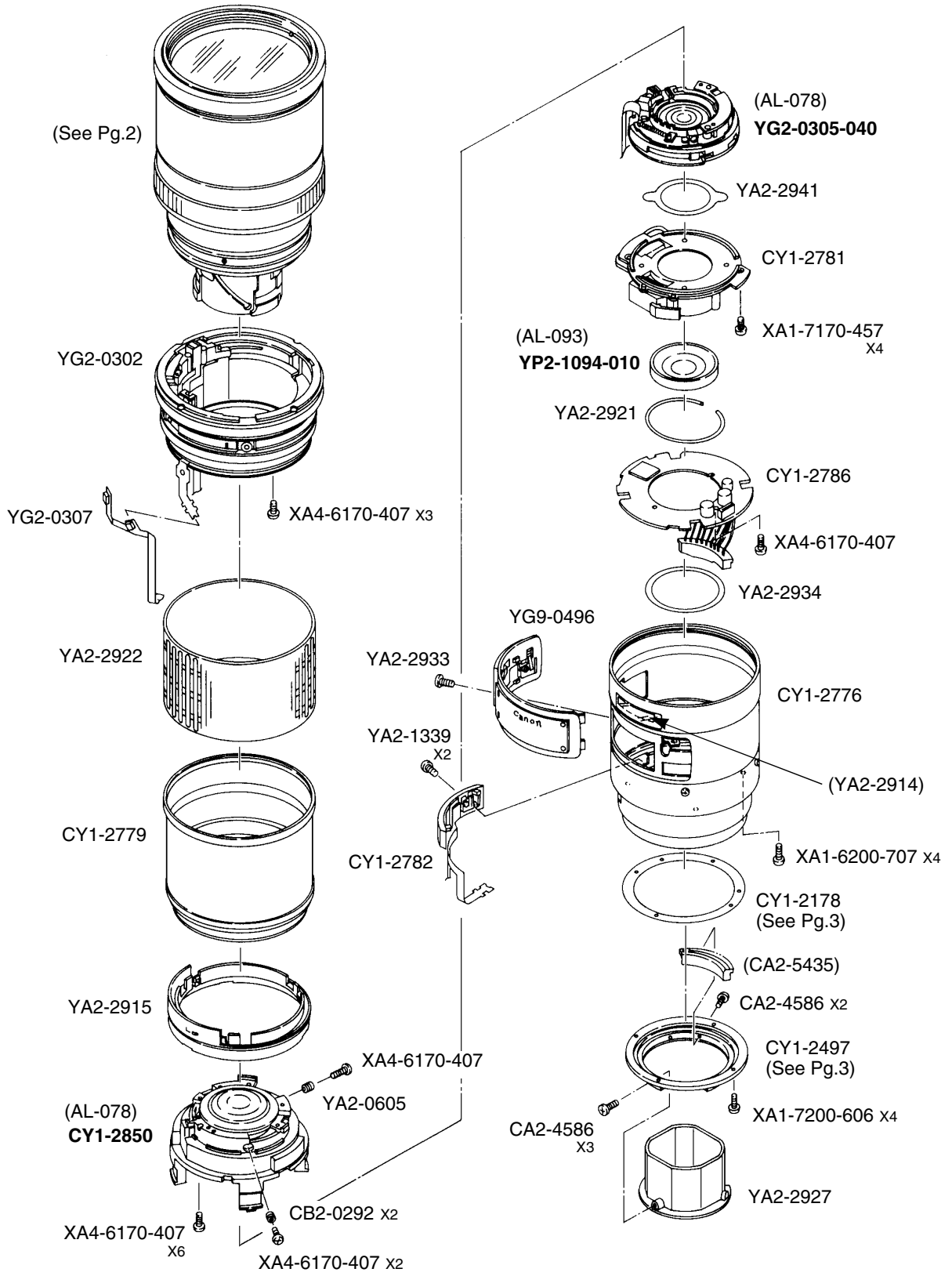
**Canon**

**EF 300mm 1:4.0 L IS USM  
REF.NO. C21-8401**

**PARTS  
CATALOG**

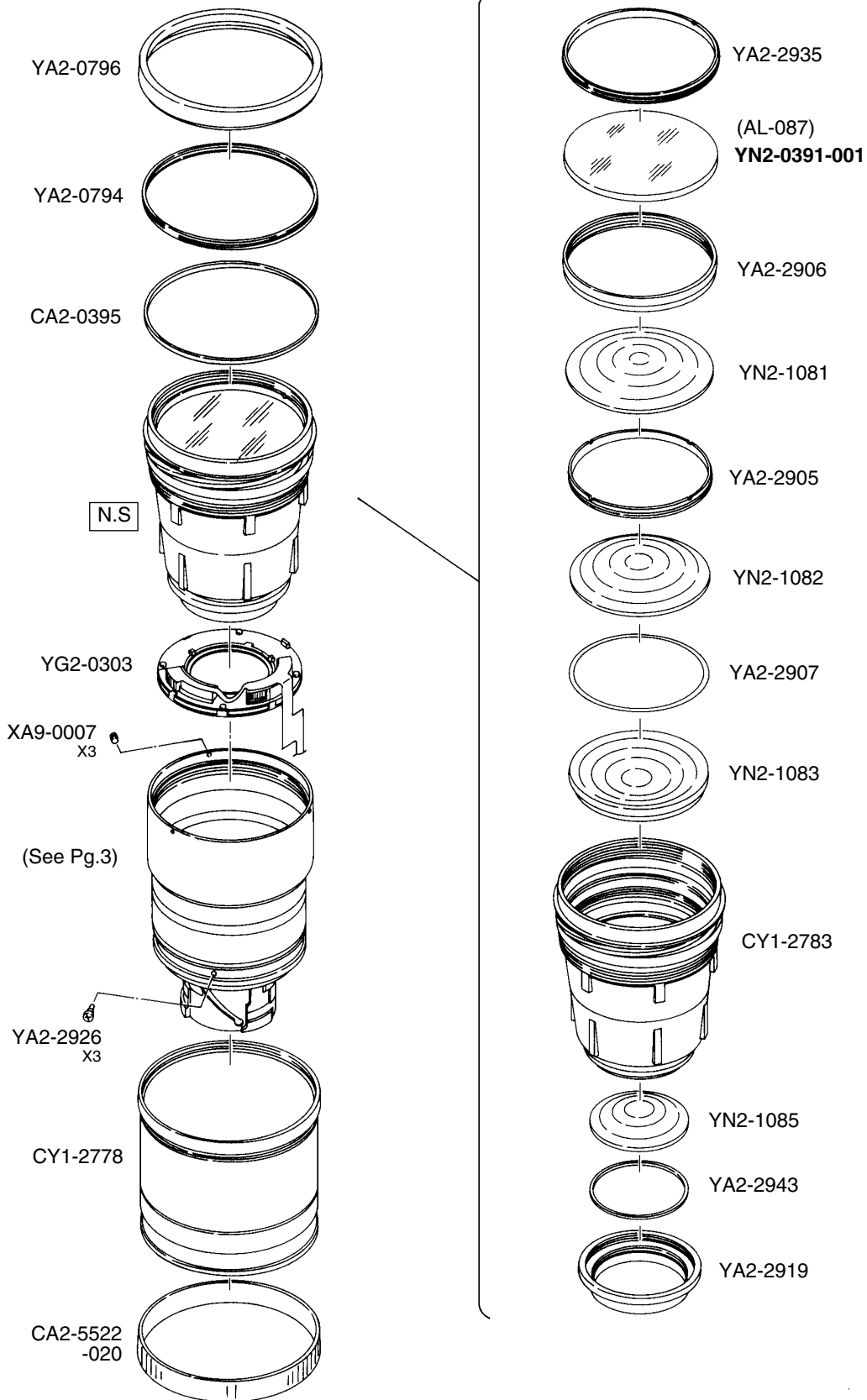
# CANON LENS EF 300 mm 1:4.0 L IS USM

REF. C21-8401



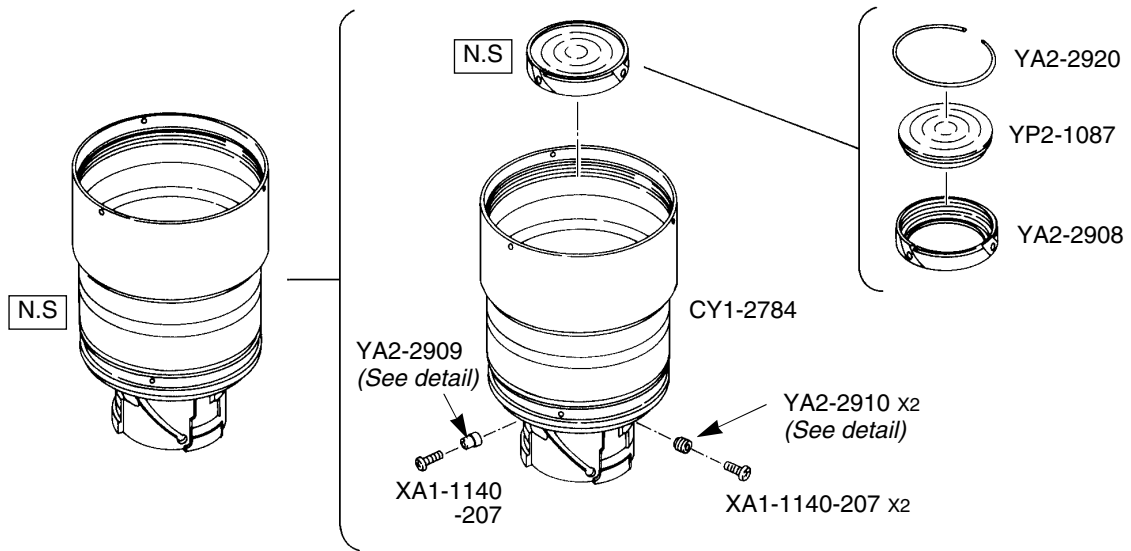
# CANON LENS EF 300 mm 1:4.0 L IS USM

REF. C21-8401



# CANON LENS EF 300 mm 1:4.0 L IS USM

REF. C21-8401



CY1-2909-000(XXX) detail

A	SIZE
∅ 3.99 mm (399)	
∅ 4.00 mm (400)	
∅ 4.01 mm (401)	
∅ 4.02 mm (402)	

CY1-2910-000(XXX) detail

A	SIZE
∅ 3.99 mm (399)	
∅ 4.00 mm (400)	
∅ 4.01 mm (401)	
∅ 4.02 mm (402)	

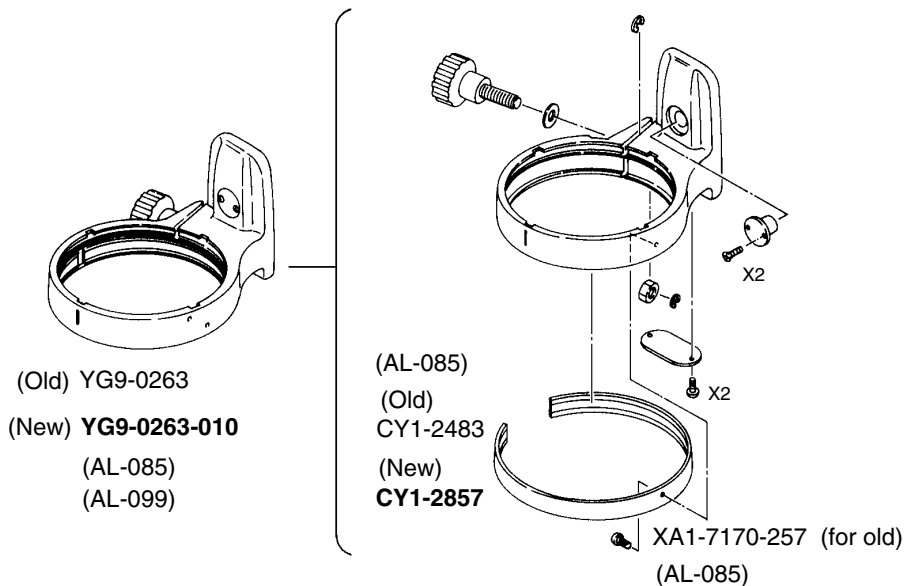
CY1-2497-000(XXX) detail

A	SIZE	A	SIZE
2.0 mm (200)		2.5 mm (250)	
2.1 mm (210)		2.6 mm (260)	
2.2 mm (220)		2.7 mm (270)	
2.3 mm (230)		2.8 mm (280)	
2.4 mm (240)			

CY1-2178-000(XXX) detail

Service Use Only.

A	SIZE
0.02 mm (002)	
0.05 mm (005)	



# PARTS LIST

REF.No.C21-8401 EF300mm 1:4.0 L IS USM

NEW	PARTS NO.	CLASS	QTY	DESCRIPTION	PAGE
	CA2-0395-000	E	1	STOPPER, FOOD	2
	CA2-4586-000		5	SCREW, CROSS-RECESS, PH	1
	CA2-5435-000	D	1	CONTACT, LENS	1
	CA2-5522-020	D	1	RING, RUBBER	2
	CB2-0292-000	E	2	COLLAR, ECCENTRIC	1
	CY1-2178-000(xxx)	E	1	WASHER, MOUNT	1
	CY1-2483-000	E	1	BELT (old)	3
	CY1-2497-000(xxx)	C	1	MOUNT, LENS	1
	CY1-2776-000	E	1	BARREL ASS'Y, FIXED	1
	CY1-2778-000	C	1	LENS HOOD ASS'Y	2
	CY1-2779-000	D	1	RING ASS'Y, FOCUSING	1
	CY1-2781-000	C	1	GYRO SENSOR UNIT	1
	CY1-2782-000	C	1	A/M SWITCH ASS'Y	1
	CY1-2783-000	D	1	BARREL ASS'Y, FRONT	2
	CY1-2784-000	D	1	BARREL ASS'Y, CAM	3
	CY1-2786-000	C	1	PCB ASS'Y, MAIN	1
	CY1-2850-000	D	1	IS HOLDER UNIT	1
	CY1-2857-000	E	1	BELT (new)	3
	XA1-1140-207		3	SCREW, CROSS-RECESS, PH	3
	XA1-6200-707		4	SCREW, CROSS-RECESS, PH	1
	XA1-7170-257		1	SCREW, CROSS-RECESS, PH	3
	XA1-7170-457		4	SCREW, CROSS-RECESS, PH	1
	XA1-7200-606		4	SCREW, CROSS-RECESS, PH	1
	XA4-6170-407		13	SCREW, CROSS-RECESS, PH	1
	XA9-0007-000		3	SETSCREW, SLOTTED, HLCP	2
	YA2-0605-000	E	1	COLLAR	1
	YA2-0794-000	E	1	COLLAR, ASSEMBLY	2
	YA2-0796-000	D	1	RING, RUBBER	2
	YA2-1339-000		2	SCREW, CROSS-RECESS, PH	1
	YA2-2905-000	E	1	COLLAR, ASSEMBLY	2
	YA2-2906-000	E	1	RING, SPACER	2
	YA2-2907-000	E	1	SPACER	2
	YA2-2908-000	E	1	BARREL, LENS	3
	YA2-2909-000(XXX)	E	1	COLLAR	3
	YA2-2910-000(XXX)	E	2	COLLAR	3
	YA2-2914-000	C	1	WINDOW, SCALE	1
	YA2-2915-000	E	1	SCALE, FOCUSING	1
	YA2-2919-000	E	1	COLLAR, ASSEMBLY	2
	YA2-2920-000	E	1	RING, SNAP	3
	YA2-2921-000	E	1	RING, SNAP	1

# PARTS LIST

REF.No.C21-8401 EF300mm 1:4.0 L IS USM

NEW	PARTS NO.	CLASS	QTY	DESCRIPTION	PAGE
	YA2-2922-000	D	1	RING, RUBBER	1
	YA2-2926-000	E	3	SCREW,	2
	YA2-2927-000	D	1	COVER, BACK	1
	YA2-2933-000		1	SCREW, CROSS-RECESS, PH	1
	YA2-2934-000	E	1	SHEET, LIGHT SHIELD	1
	YA2-2935-000	E	1	COLLAR, ASSEMBLY	2
	YA2-2941-000	E	1	SHEET, LIGHT SHIELD	1
	YA2-2943-000	E	1	SPACER, RUBBER	2
	YG2-0302-000	C	1	FOCUSING UNIT	1
	YG2-0303-000	C	1	POWER DIAPHRAGM UNIT	2
	YG2-0305-040	C	1	IS LENS UNIT	1
	YG2-0307-000	E	1	FPC, CONNECTING	1
	YG9-0263-000	D	1	TRIPOD SOCKET UNIT (old)	3
	YG9-0263-100	D	1	TRIPOD SOCKET UNIT (new)	3
	YG9-0496-000	C	1	IS SWITCH ASS'Y	1
	YN2-0391-001	D	1	LENS, PROTECT	2
	YN2-1081-000	E	1	LENS, G1	2
	YN2-1082-000	E	1	LENS, G2	2
	YN2-1083-000	E	1	LENS, G3	2
	YN2-1085-000	E	1	LENS, G5	2
	YP2-1087-000	E	1	LENS, G6/7	3
	YP2-1094-010	D	1	LENS, G13/14	1

CANON LENS EF 300 mm 1:4.0 L IS USM

REF. C21-8401

