

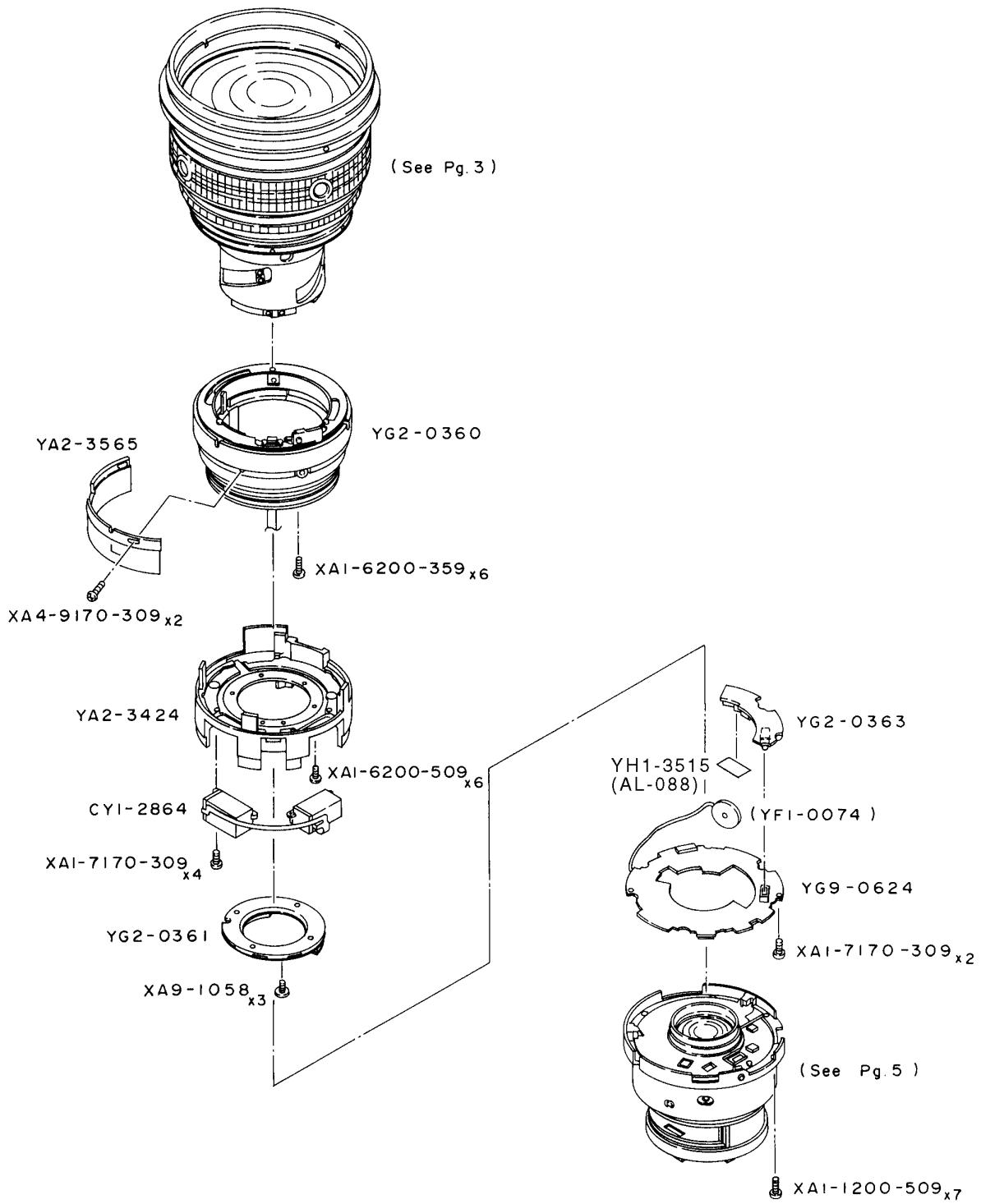
Canon

**EF 300mm 1:2.8L IS (ULTRASONIC)
REF.NO. C21-8461**

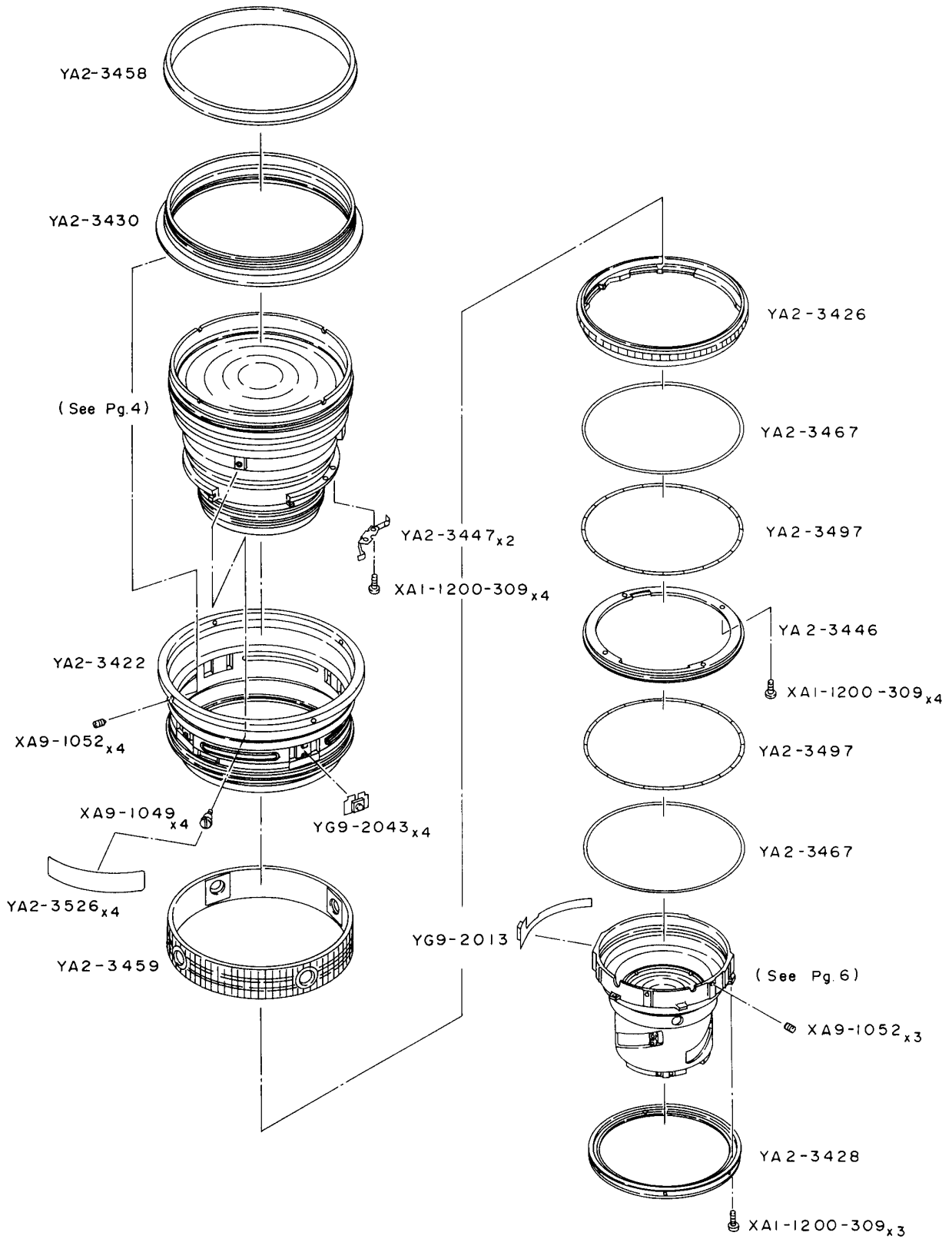
LENS HOOD ET-120 C44-8301

**PARTS
CATALOG**

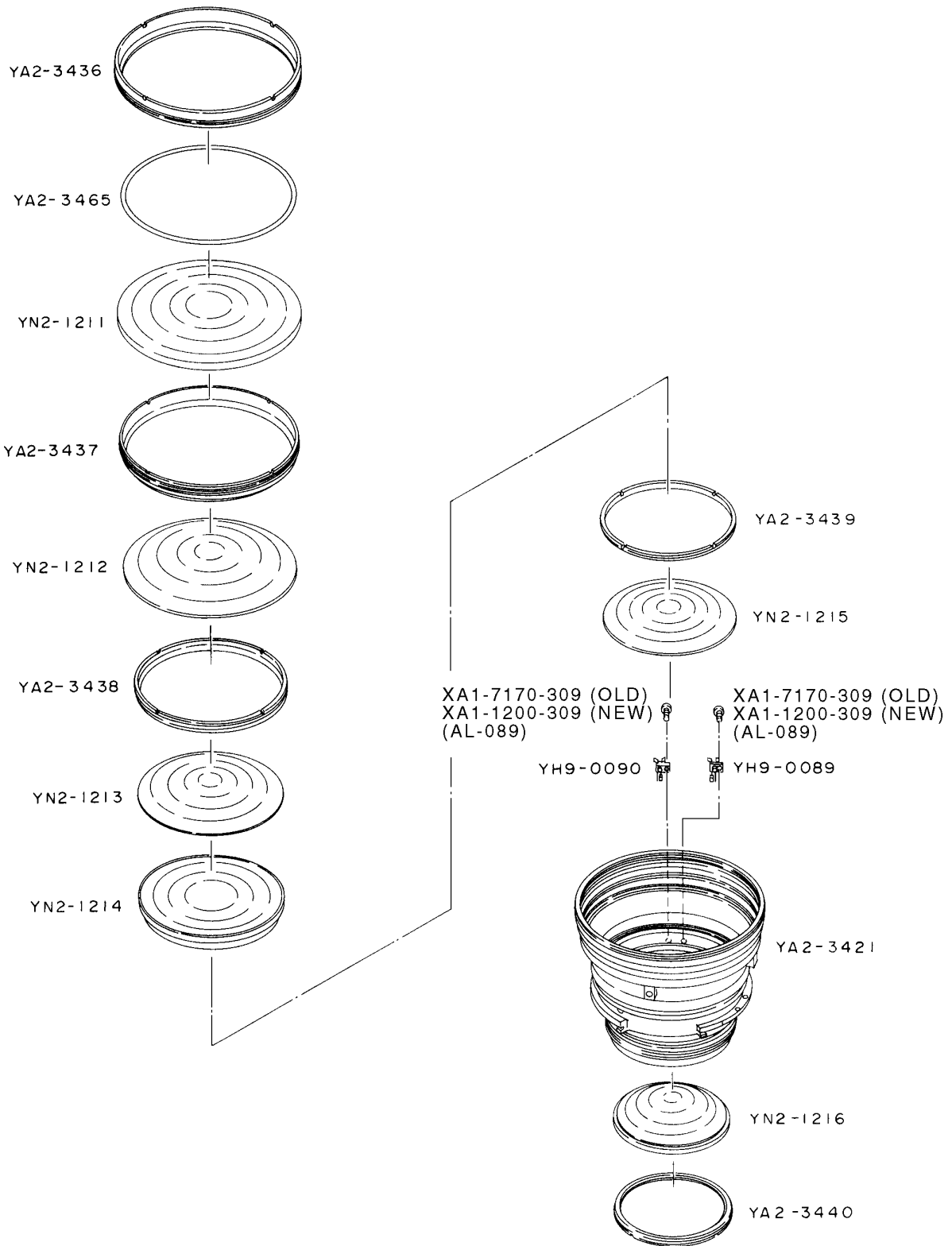
CANON LENS EF 300 mm 1:2.8L IS USM



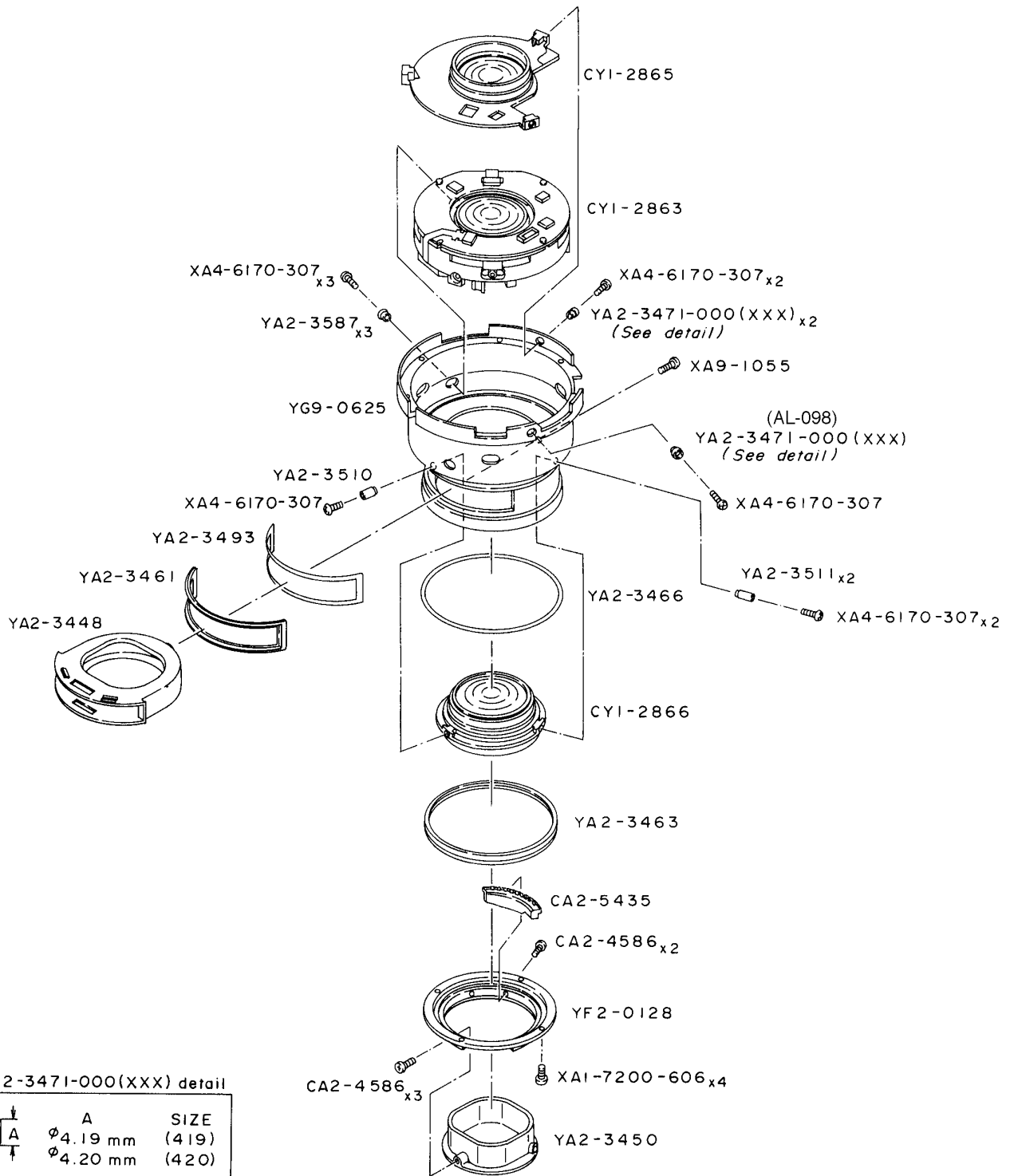
CANON LENS EF 300 mm 1:2.8L IS USM



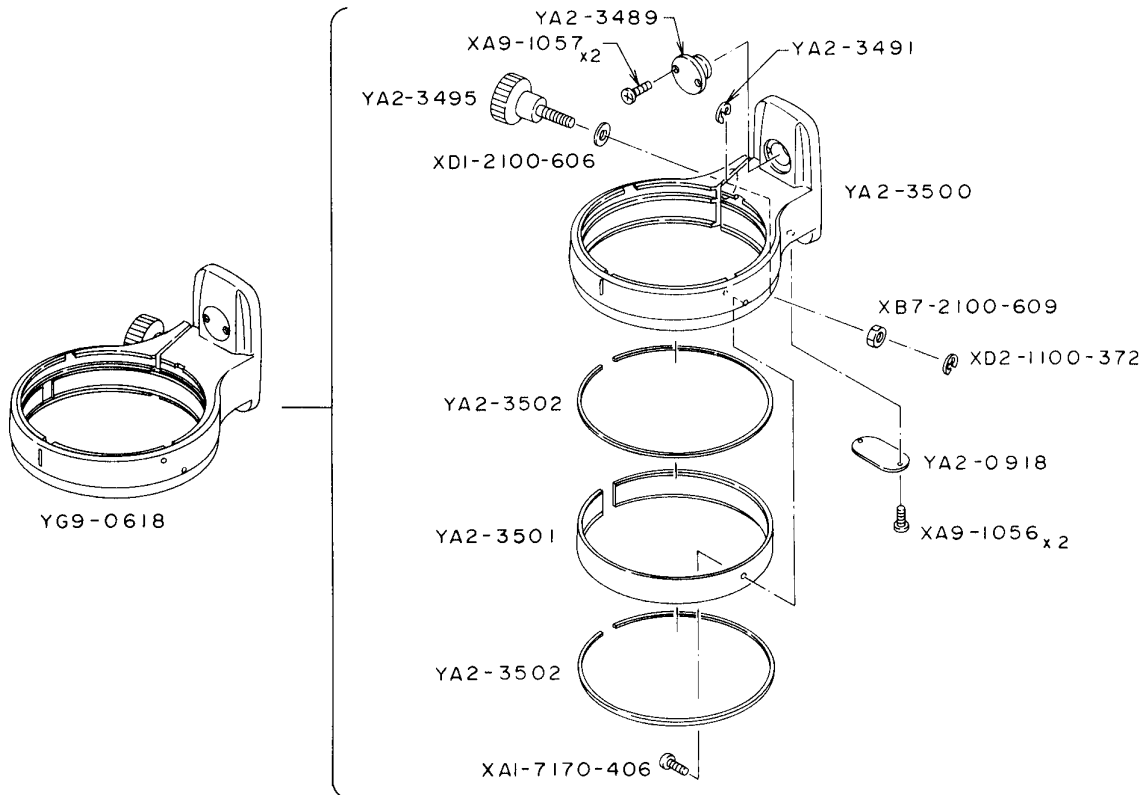
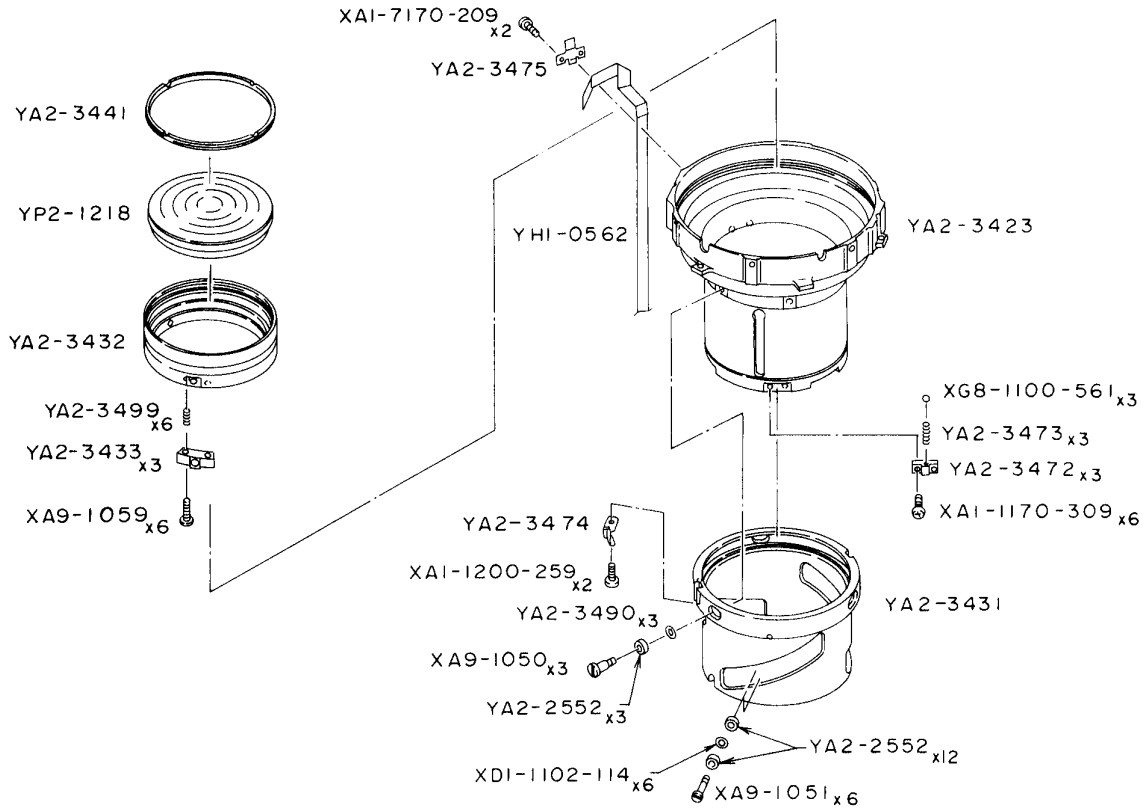
CANON LENS EF 300 mm 1:2.8L IS USM



CANON LENS EF 300 mm 1:2.8L IS USM



CANON LENS EF 300 mm 1:2.8L IS USM



PARTS LIST

REF.NO. C21-8461

NEW	PARTS NO.	CLASS	QTY	DESCRIPTION	PAGE
	CA2-4586-000	E	5	SCREW	5
	CA2-5435-000	D	1	CONTACT ASS'Y	5
	CY1-2863-000	C	1	IS LENS UNIT	5
	CY1-2864-000	C	1	GYRO SENSOR UNIT	2
	CY1-2865-000	D	1	LENS ASS'Y, 3RD GROUP	5
	CY1-2866-000	D	1	LENS ASS'Y, 5TH GROUP	5
	XA1-1170-309		6	SCREW, CROSS-RECESS, PH	6
	XA1-1200-259		5	SCREW, CROSS-RECESS, PH	1,6
	XA1-1200-309		13	SCREW, PH2X3	3,4
	XA1-1200-509		7	SCREW, MACHINE M2X5	2
	XA1-1260-506		4	SCREW, CROSS-RECESS, PH	1
	XA1-4170-256		4	SCREW, CROSS-RECESS, OCH	1
	XA1-6200-359		6	SCREW, CROSS-RECESS, PH	2
	XA1-6200-509		6	SCREW, CROSS-RECESS, PH	2
	XA1-7170-209		2	SCREW, CROSS-RECESS, PH	6
	XA1-7170-309		6	SCREW, CROSS-RECESS, PH, M1.7X3	2
	XA1-7170-406		1	SCREW, CROSS-RECESS, PH	6
	XA1-7200-606		4	SCREW, CROSS-RECESS, PH	5
	XA4-6170-307		9	SCREW, CROSS-RECESS, PH	5
	XA4-9170-309		2	SCREW, CROSS-RECESS, PH	2
	XA9-1047-000		4	SCREW	1
	XA9-1048-000		3	SCREW	1
	XA9-1049-000		4	SCREW	3
	XA9-1050-000		3	SCREW	6
	XA9-1051-000		6	SCREW	6
	XA9-1052-000		7	SCREW	3
	XA9-1053-000		4	SCREW	1
	XA9-1054-000		6	SCREW	1
	XA9-1055-000		1	SCREW	5
	XA9-1056-000		2	SCREW	6
	XA9-1057-000		2	SCREW	6
	XA9-1058-000		3	SCREW	2
	XA9-1059-000		6	SCREW	6
	XB7-2100-609	E	1	NUT, HEX M6	6
	XD1-1102-114	F	6	WASHER	6
	XD1-2100-606	F	1	WASHER, S	6
	XD2-1100-372	F	1	RETAINING RING (E-TYPE)	6
	XG8-1100-561	D	3	BALL, CLICK	6
	YA2-0918-000	D	1	COVER	6
	YA2-1727-001	E	3	PLATE, STOPPER	1

PARTS LIST

REF.NO. C21-8461

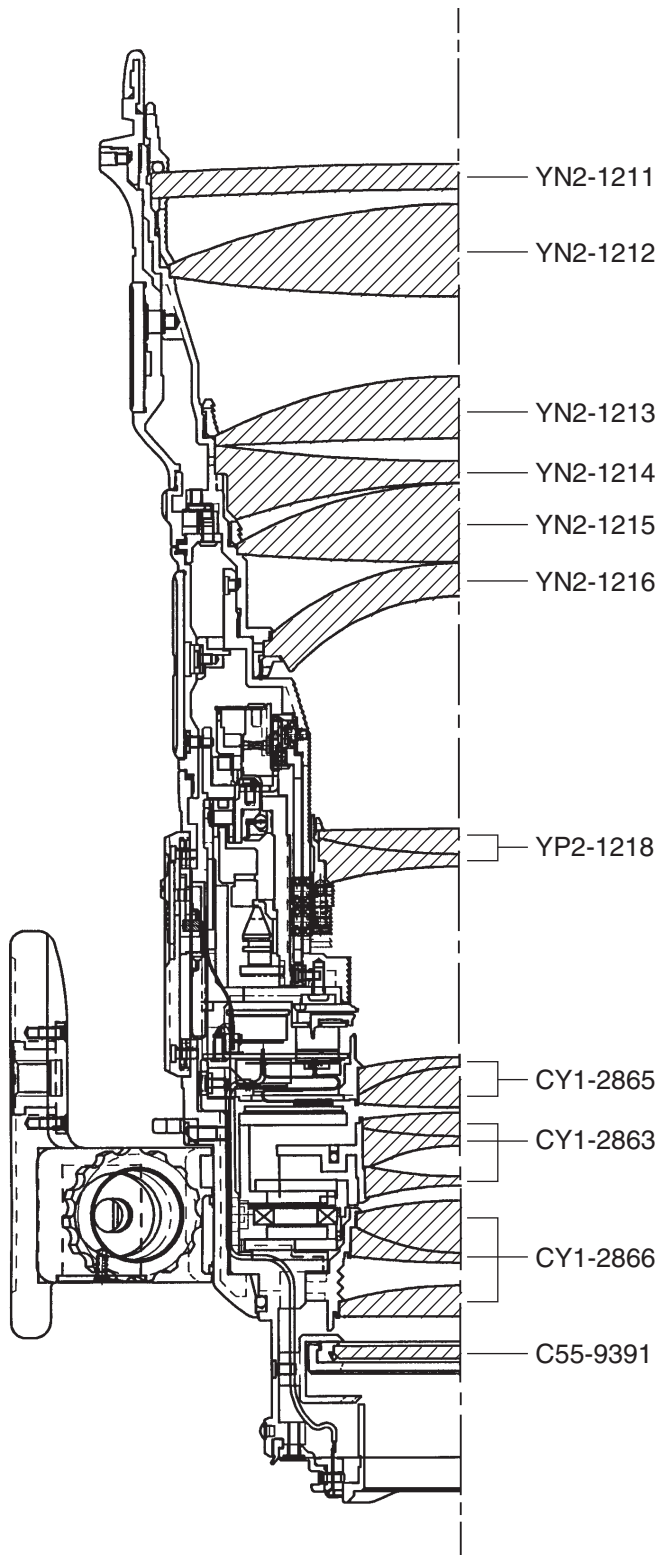
NEW	PARTS NO.	CLASS	QTY	DESCRIPTION	PAGE
	YA2-2552-000	D	15	BEARING, BALL 682	6
	YA2-3421-000	D	1	BARREL, FRONT LENS	4
	YA2-3422-000	C	1	RING, AF SWITCH	3
	YA2-3423-000	D	1	BARREL, GUIDE	6
	YA2-3424-000	D	1	SLEEVE	2
	YA2-3426-000	C	1	RING, FOCUS PRESET	3
	YA2-3427-000	C	1	RING, FOCUSING	1
	YA2-3428-000	D	1	RING, FOCUS FRICTION	3
	YA2-3429-000	C	1	SLEEVE, INDICATOR	1
	YA2-3430-000	C	1	RING, PROTECTION	3
	YA2-3431-000	D	1	BARREL, CAM	6
	YA2-3432-000	D	1	BARREL, 2ND LENS GROUP	6
	YA2-3433-000	D	3	GUIDE, FRICTION	6
	YA2-3436-000	D	1	COLLAR, ASSEMBLY (G1)	4
	YA2-3437-000	D	1	COLLAR, ASSEMBLY (G2)	4
	YA2-3438-000	D	1	COLLAR, ASSEMBLY (G3)	4
	YA2-3439-000	D	1	COLLAR, ASSEMBLY (G5)	4
	YA2-3440-000	D	1	COLLAR, ASSEMBLY (G6)	4
	YA2-3441-000	D	1	COLLAR, ASSEMBLY (G7)	6
	YA2-3446-000	D	1	HOLDER, F.P. RING	3
	YA2-3447-000	D	2	SPRING, PLATE	3
	YA2-3448-000	D	1	BOX, FILTER	5
	YA2-3450-000	D	1	COVER, BACK	5
	YA2-3456-000	C	1	PLATE, NAME	1
	YA2-3457-000	C	1	WINDOW, SCALE	1
	YA2-3458-000	C	1	RING, RUBBER	3
	YA2-3459-000	D	1	RUBBER RING, AF SWITCH	3
	YA2-3460-000	D	1	RUBBER RING, FOCUSING	1
	YA2-3461-000	C	1	SEAL, RUBBER	5
	YA2-3463-000	C	1	RUBBER, MOUNT	5
	YA2-3465-000	C	1	O RING, SHIELD (100)	4
	YA2-3466-000	C	1	O RING, SHIELD (67)	5
	YA2-3467-000	C	2	WASHER (97)	3
	YA2-3468-000	C	1	WASHER (94)	1
	YA2-3469-000	C	2	LUG, STRAP	1
	YA2-3471-000(XXX)	D	3	COLLAR, ECCENTRIC	5
	YA2-3472-000	D	3	HOLDER, SPRING	6
	YA2-3473-000	D	3	SPRING, COIL	6
	YA2-3474-000	D	1	SPRING, PLATE	6
	YA2-3475-000	D	1	HOLDER, FLX	6

PARTS LIST

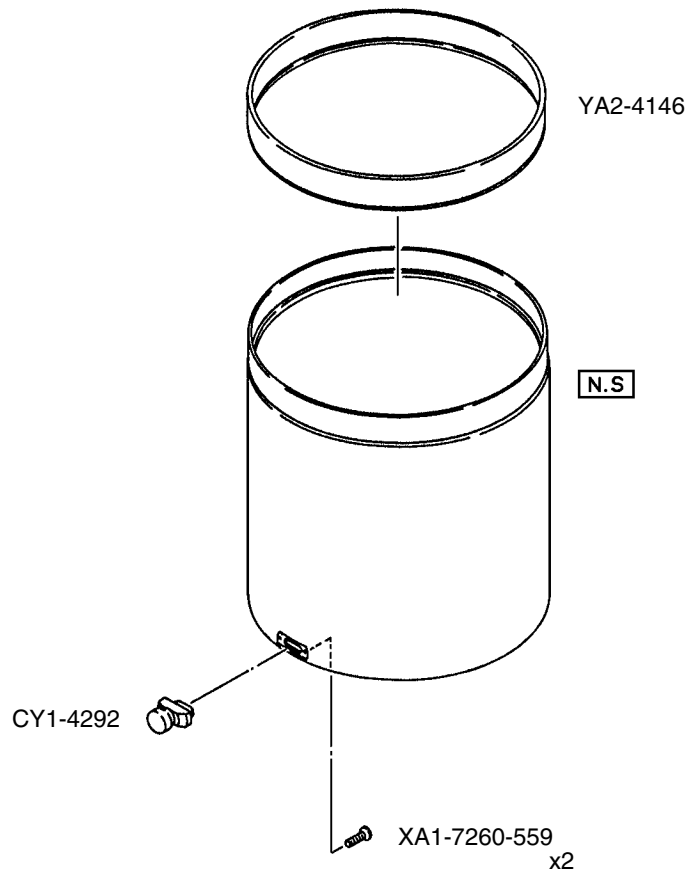
REF.NO. C21-8461

NEW	PARTS NO.	CLASS	QTY	DESCRIPTION	PAGE
	YA2-3476-000	C	4	COLLAR, TRIPOD	1
	YA2-3489-000	E	1	SOCKET, TRIPOD	6
	YA2-3490-000	E	3	WASHER	6
	YA2-3491-000	E	1	SPACER	6
	YA2-3492-000	C	1	TAPE, DOUBLE SIDED	1
	YA2-3493-000	C	1	TAPE, DOUBLE SIDED	5
	YA2-3495-000	D	1	KNOB, LOCK	6
	YA2-3497-000	C	2	WASHER, WAVE (97)	3
	YA2-3498-000	C	1	WASHER, WAVE (94)	1
	YA2-3499-000	D	6	SPRING, COIL	6
	YA2-3500-000	D	1	BASE, TRIPOD	6
	YA2-3501-000	C	1	BAND	6
	YA2-3502-000	C	2	RING, BAND	6
	YA2-3510-000	D	1	COLLAR	5
	YA2-3511-000	D	2	COLLAR, ECCENTRIC	5
	YA2-3526-000	D	4	PLATE, REINFORCEMENT	3
	YA2-3565-000	D	1	SCALE, FOCUSING	2
	YA2-3587-000	D	3	COLLAR, ECCENTRIC	5
	YF1-0074-000	C	1	BEEPER	2
	YF2-0128-000	C	1	MOUNT, LENS	5
	YG2-0360-000	C	1	FOCUSING UNIT	2
	YG2-0361-000	C	1	POWER DIAPHRAGM UNIT	2
	YG2-0363-000	C	1	PCB ASS'Y, DC/DC	2
	YG2-0373-000	C	1	SWITCH PANEL UNIT	1
	YG9-0618-000	D	1	TRIPOD RING UNIT	6
	YG9-0624-000	C	1	PCB ASS'Y, MAIN	2
	YG9-0625-000	C	1	BARREL ASS'Y, FIXED	5
	YG9-2013-000	C	1	FPC ASS'Y, C3	3
	YG9-2043-000	C	4	FPC ASS'Y, ST	3
	YH1-0562-000	D	1	FPC, C1	6
	YH1-3515-000	C	1	TAPE, SHIELD	2
	YH9-0089-000	C	1	SWITCH, LEAF (LEFT)	4
	YH9-0090-000	C	1	SWITCH, LEAF (RIGHT)	4
	YN2-1211-000	D	1	LENS, G1	4
	YN2-1212-000	D	1	LENS, G2	4
	YN2-1213-000	D	1	LENS, G3	4
	YN2-1214-000	D	1	LENS, G4	4
	YN2-1215-000	D	1	LENS, G5	4
	YN2-1216-000	D	1	LENS, G6	4
	YP2-1218-000	D	1	LENS, G7/8	6

CANON LENS EF 300mm 1:2.8L IS USM



CANON LENS HOOD ET-120



PARTS LIST

REF.NO. C44-8301

NEW	PARTS NO.	CLASS	QTY	DESCRIPTION	PAGE
Ñ	CY1-4292-000	D	1	LOCK UNIT	11
Ñ	XA1-7260-559	F	2	SCREW, CROSS-RECESS, PH	11
Ñ	YA2-4146-000	D	1	RUBBER, PROTECTOR	11