

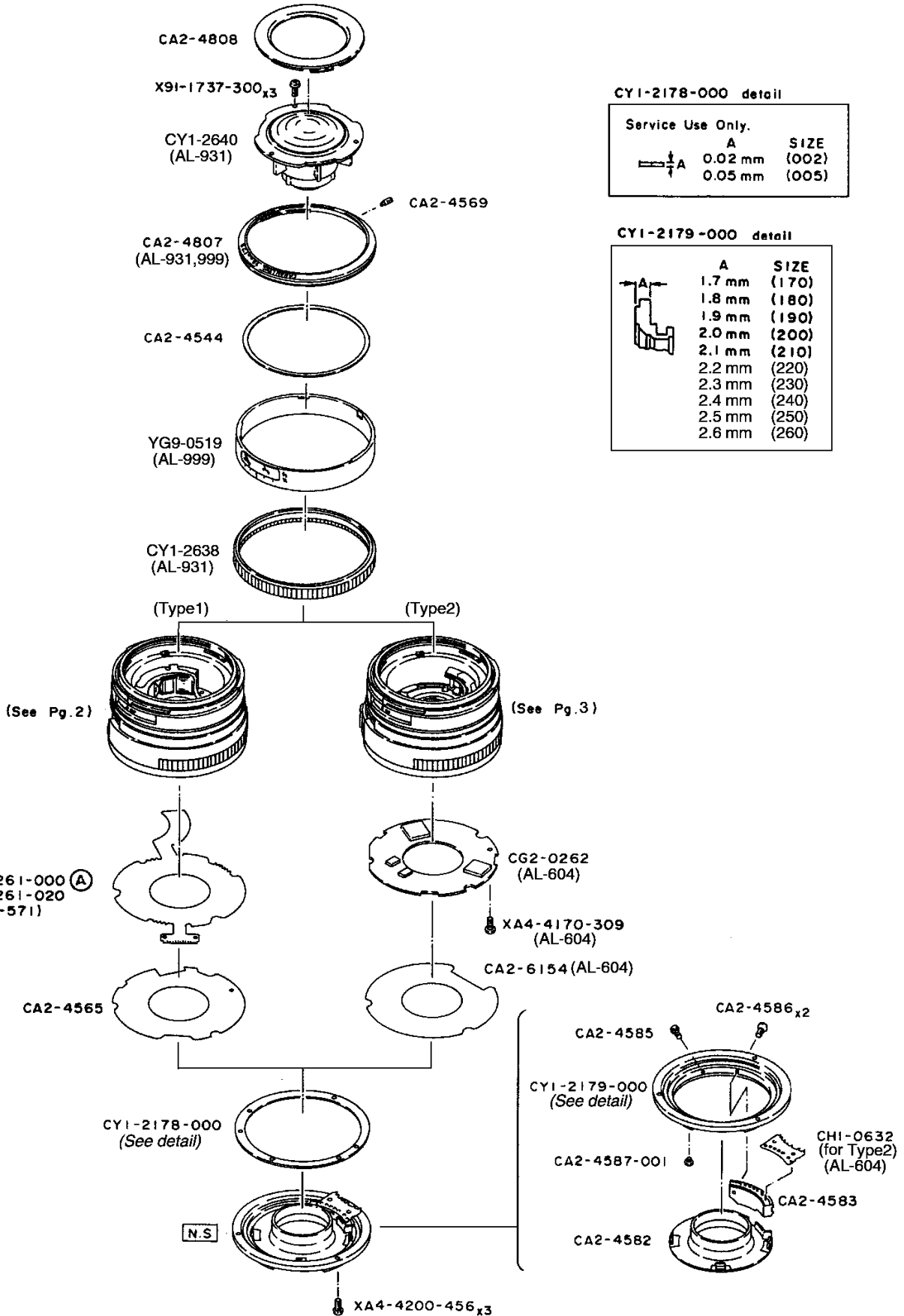
Canon

EF 28mm 1:2.8
REF.NO.C21-5281

PARTS
CATALOG

CANON LENS EF 28 mm 1:2.8

(Type1 : LENS NO. 100001 - 200000)
 (Type2 : LENS NO. 200001 -)

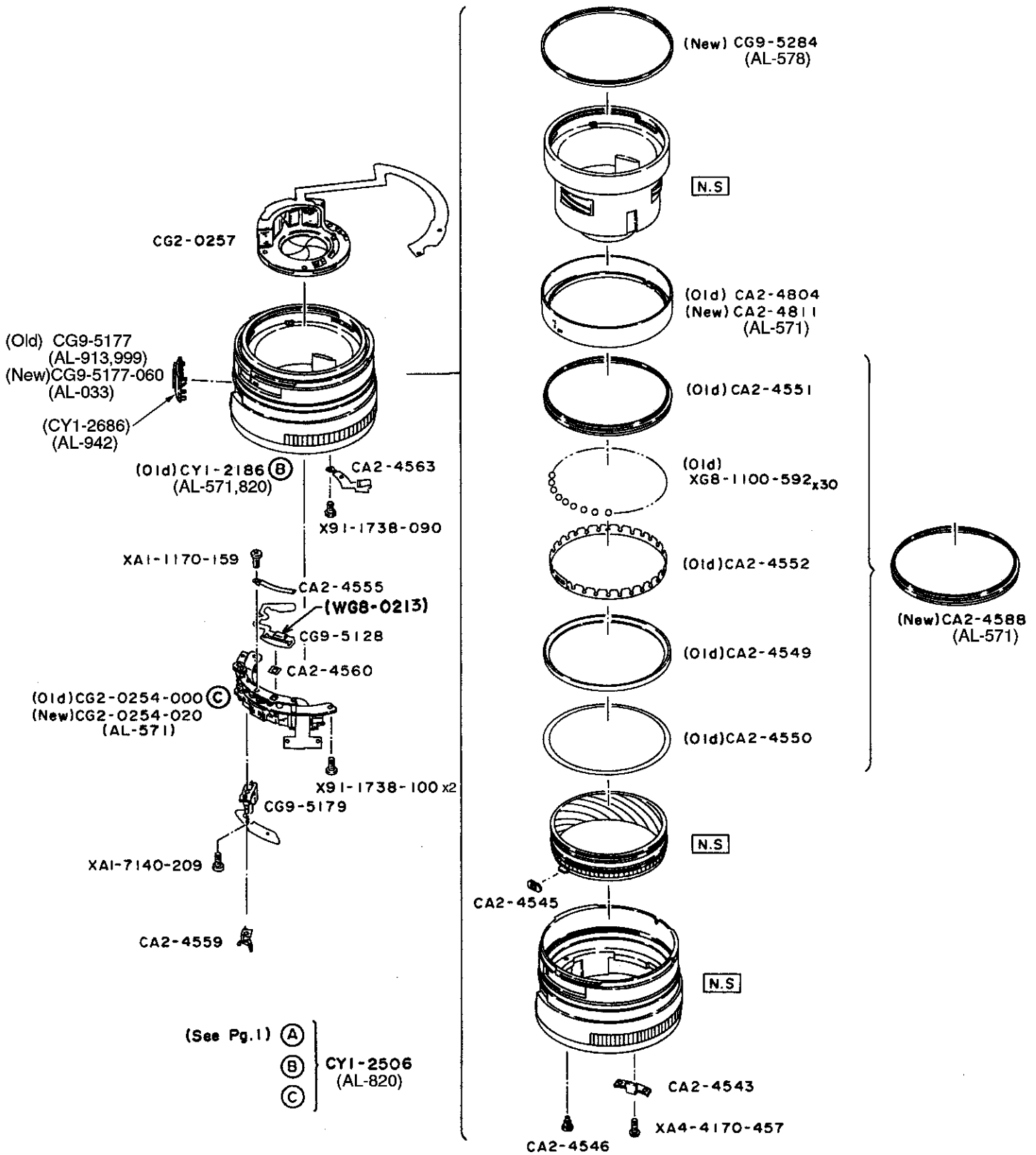


PARTS LIST

REF.No.C21-5281

NEW	PART.NO.	CLASS	QTY	DESCRIPTION
	CA2-4544-000	E	1	WASHER, DUST SHIELD
	CA2-4565-000	E	1	SHEET, SHIELD
	CA2-4569-000	E	1	SCREW
	CA2-4582-000	D	1	COVER, BACK
	CA2-4583-000	D	1	CONTACT ASS'Y
	CA2-4585-000	E	1	SCREW, MOUNT STOPPER
	CA2-4586-000	E	2	SCREW
	CA2-4587-001	E	1	SCREW, BLIND
	CA2-4807-000	D	1	RING, NAME
	CA2-4808-000	D	1	RING, FRONT
	CA2-6154-000	E	1	SHEET, SHIELD
	CG2-0261-000	E	1	MAIN FLEX CBA (Old)
	CG2-0261-020	E	1	MAIN FLEX CBA (New)
	CG2-0262-000	E	1	MIAN CBA
	CH1-0632-000	E	1	M-FLEX
	CY1-2178-000(002)	E	1	WASHER, MOUNT
	CY1-2178-000(005)	E	1	WASHER, MOUNT
	CY1-2179-000(170)	E	1	MOUNT, LENS
	CY1-2179-000(180)	E	1	MOUNT, LENS
	CY1-2179-000(190)	E	1	MOUNT, LENS
	CY1-2179-000(200)	E	1	MOUNT, LENS
	CY1-2179-000(210)	E	1	MOUNT, LENS
	CY1-2179-000(220)	E	1	MOUNT, LENS
	CY1-2179-000(230)	E	1	MOUNT, LENS
	CY1-2179-000(240)	E	1	MOUNT, LENS
	CY1-2179-000(250)	E	1	MOUNT, LENS
	CY1-2179-000(260)	E	1	MOUNT, LENS
	CY1-2638-000	D	1	RING, MANUAL FOCUSING
	CY1-2640-000	C	1	FRONT LENS UNIT
	X91-1737-300		3	SCREW, CROSS-RECESS, PH
	XA4-4170-309		1	SCREW, CROSS-RECESS, PH
	XA4-4200-456		3	SCREW, CROSS-RECESS, PH
	YG9-0519-000	D	1	RING, INDEX

CANON LENS EF 28 mm 1:2.8
(Type1 : LENS NO. 100001 - 200000)



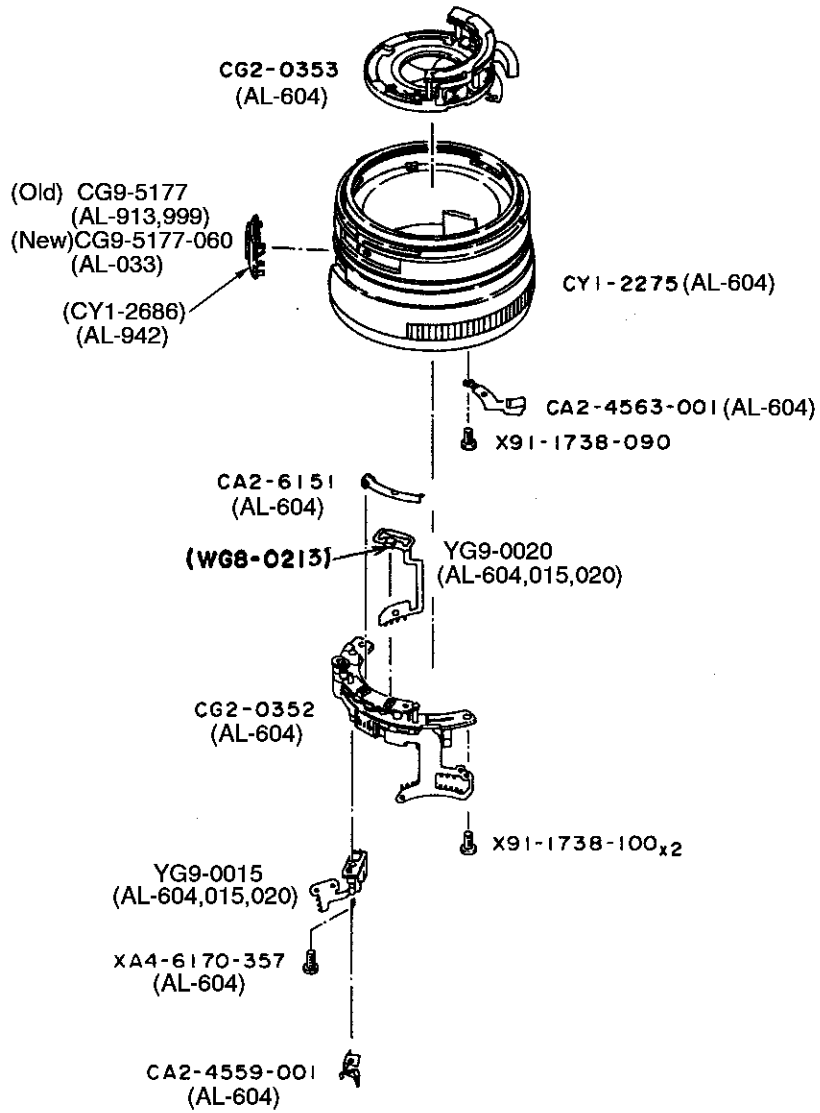
PARTS LIST

REF.No.C21-5281

NEW	PART.NO.	CLASS	QTY	DESCRIPTION
	CA2-4543-000	D	1	KEY, HELICOID
	CA2-4545-000	D	1	RUBBER, STOPPER
	CA2-4546-000	D	1	SCREW, HELICOID STOPPER
	CA2-4549-000	D	1	RACE, BALL (Old)
	CA2-4550-000	E	1	WASHER, CUPPED (Old)
	CA2-4551-000	D	1	RACE, THREADED (Old)
	CA2-4552-000	D	1	RETAINER (Old)
	CA2-4555-000	E	1	HOLDER, SENSOR
	CA2-4559-000	E	1	LEVER, CLUTCH
	CA2-4560-000	E	1	SPACER
	CA2-4563-000	E	1	HOLDER, FLEX
	CA2-4588-000	E	1	HELICOID, OUTER (New)
	CA2-4804-000	E	1	RING, SCALE (Old)
	CA2-4811-000	E	1	RING, SCALE (New)
	CG2-0254-000	D	1	AF DRIVE UNIT (Old)
	CG2-0254-020	D	1	AF DRIVE UNIT (New)
	CG2-0257-000	D	1	POWER, DIAPHRAGM
	CG9-5128-000	E	1	PHOTO REFLECTOR CBA
	CG9-5177-000	D	1	FRAME, SWITCH KNOB (Old)
	CG9-5177-060	D	1	A/M SWITCH ASS'Y (New)
	CG9-5179-000	E	1	SWITCH UNIT
	CG9-5284-000	E	1	RING
	CY1-2186-000	D	1	FOCUSING UNIT (Old)
	CY1-2506-000	D	1	FOCUSING PARTS SET
	CY1-2686-000	D	1	COVER, A/M SWITCH
	WG8-0213-000	E	1	PHOTO REFLECTOR
	X91-1738-090		1	SCREW, CROSS-RECESS, PH
	X91-1738-100		2	SCREW, CROSS-RECESS, PH
	XA1-1170-159		1	SCREW, CROSS-RECESS, PH
	XA1-7140-209		1	SCREW, CROSS-RECESS, PH
	XA4-4170-457		1	SCREW, CROSS-RECESS, PH
	XG8-1100-592		30	BALL, STEEL (Old)

CANON LENS EF 28 mm 1:2.8

(Type2 : LENS NO. 200001 -)



PARTS LIST

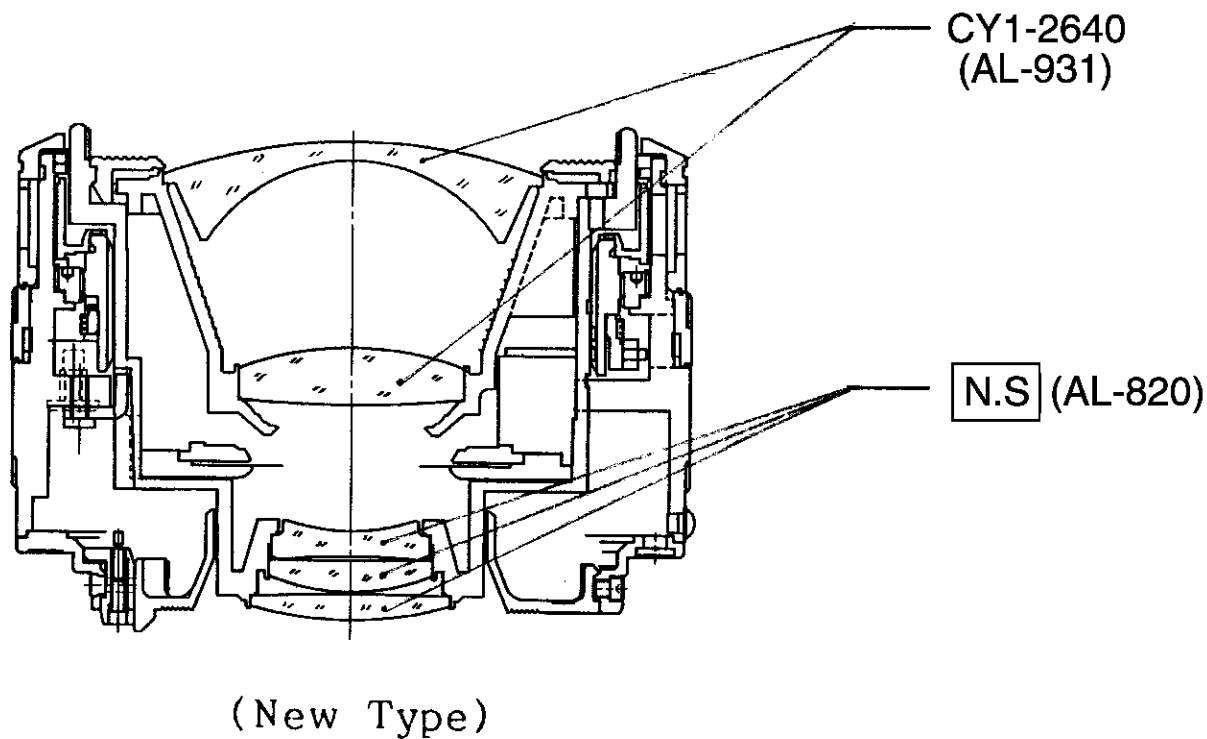
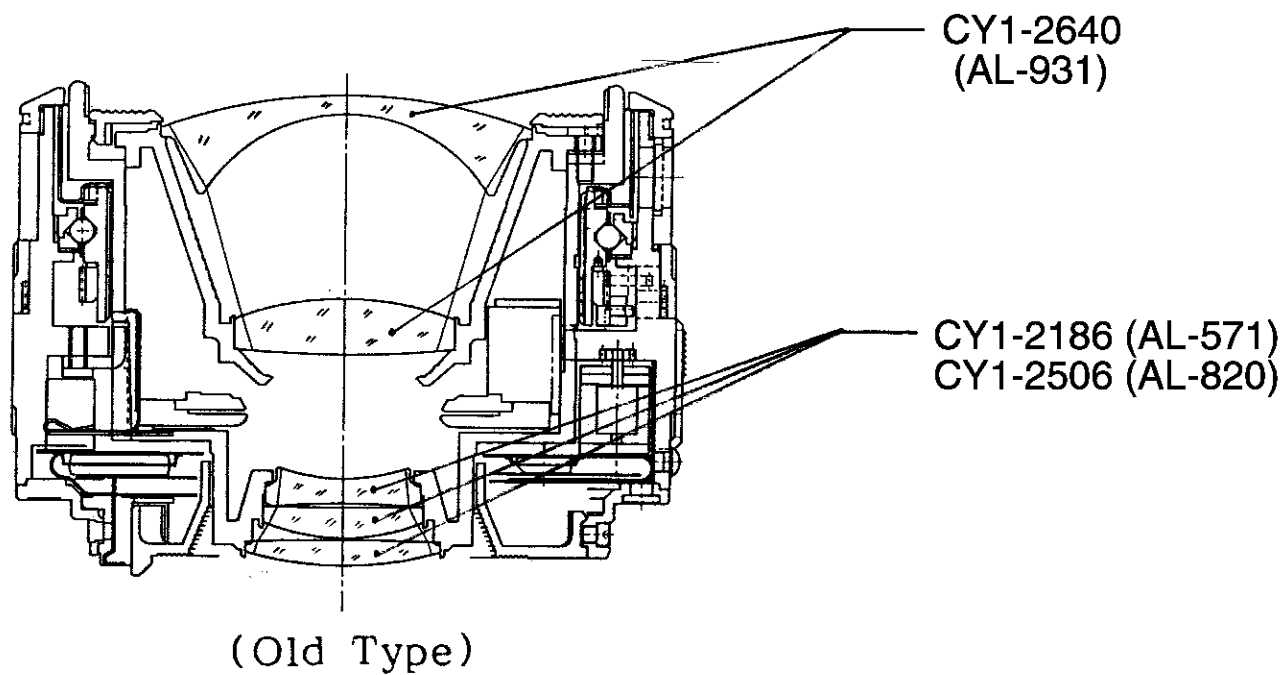
REF.No.C21-5281

NEW	PART.NO.	CLASS	QTY	DESCRIPTION
	CA2-4559-001	E	1	LEVER, CLUTCH
	CA2-4563-001	E	1	HOLDER, FLEX
	CA2-6151-000	E	1	SPACER
	CG2-0352-000	D	1	AF DRIVE UNIT
	CG2-0353-000	D	1	POWER DIAPHRAGM UNIT
	CG9-5177-000	D	1	FRAME, SWITCH KNOB (Old)
	CG9-5177-060	D	1	A/M SWITCH ASS'Y (New)
	CY1-2275-000	D	1	FOCUSING UNIT
	CY1-2686-000	D	1	COVER, A/M SWITCH
	WG8-0213-000	E	1	PHOTO REFLECTOR
	X91-1738-090		1	SCREW, CROSS-RECESS, PH
	X91-1738-100		2	SCREW, CROSS-RECESS, PH
	XA4-6170-357		1	SCREW, CROSS-RECESS, PH
	YG9-0015-000	E	1	SWITCH UNIT
	YG9-0020-000	E	1	PHOTO REFLECTOR CBA

CANON LENS EF 28 mm 1:2.8

(Type1 : LENS NO. 100001 - 200000)

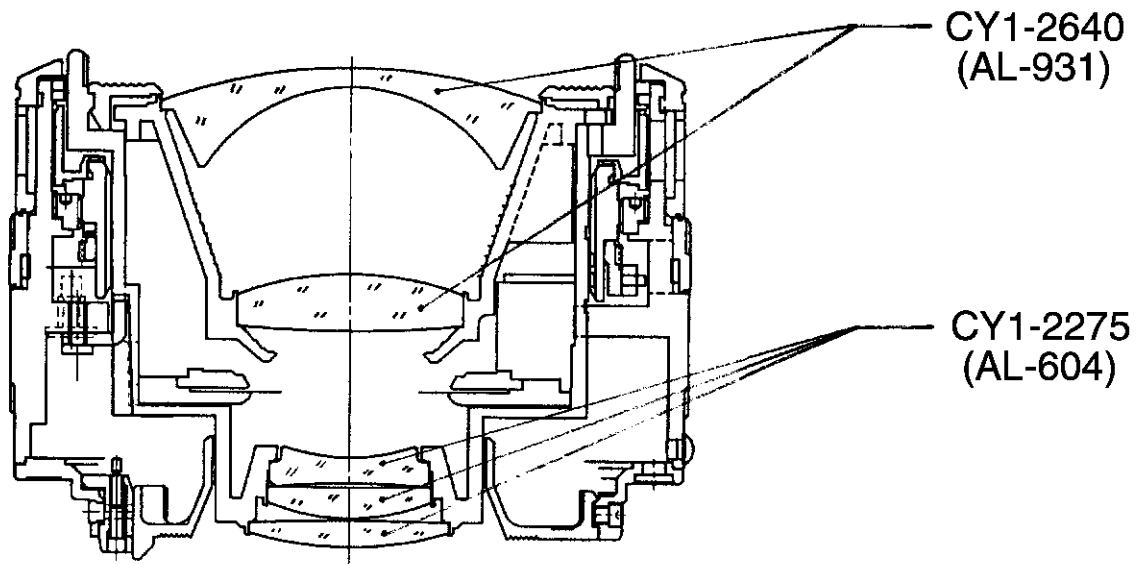
REF. NO. C21-5281



CANON LENS EF 28 mm 1:2.8

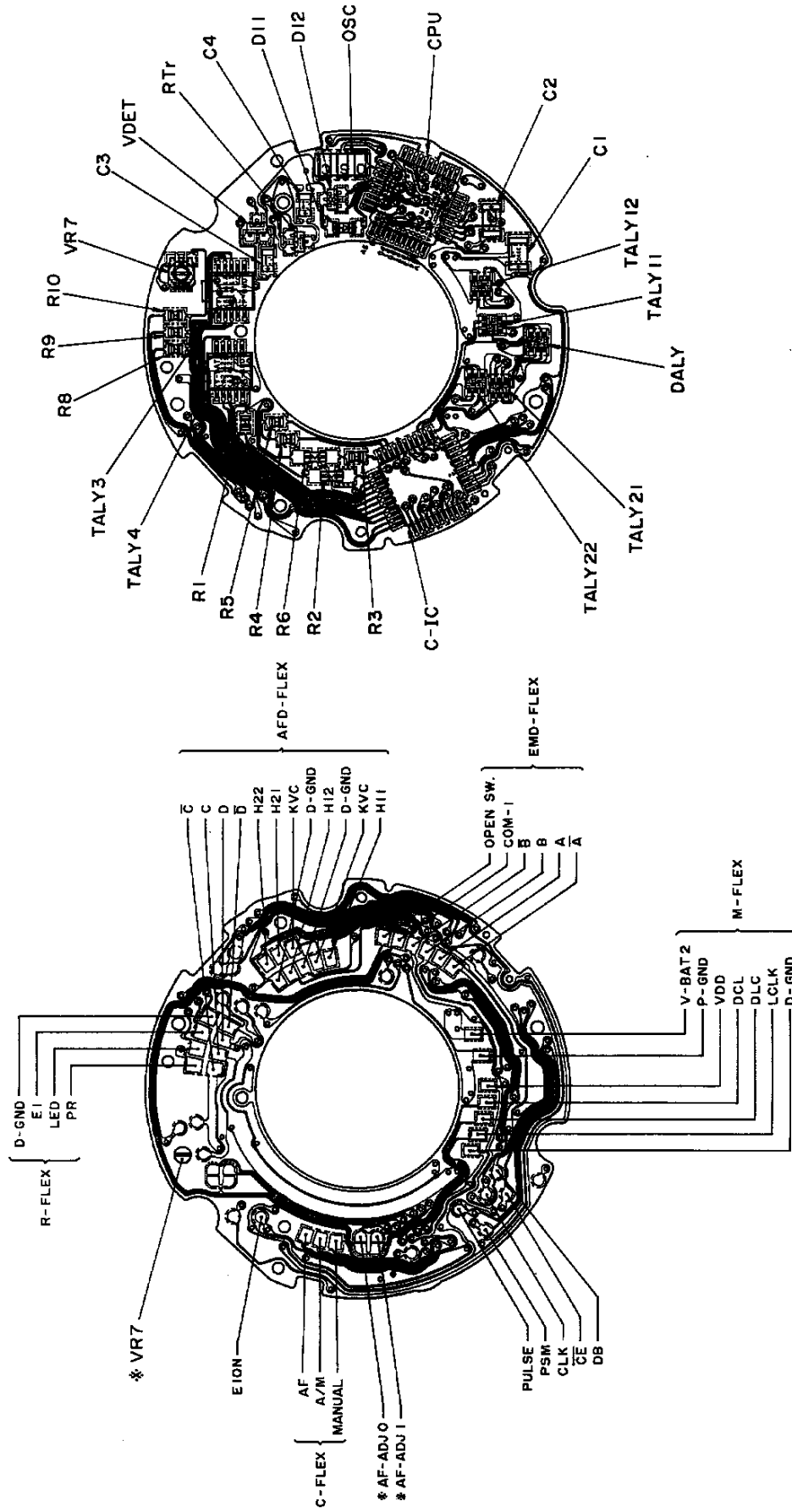
(Type2 : LENS NO. 200001 -)

REF. NO. C21-5281



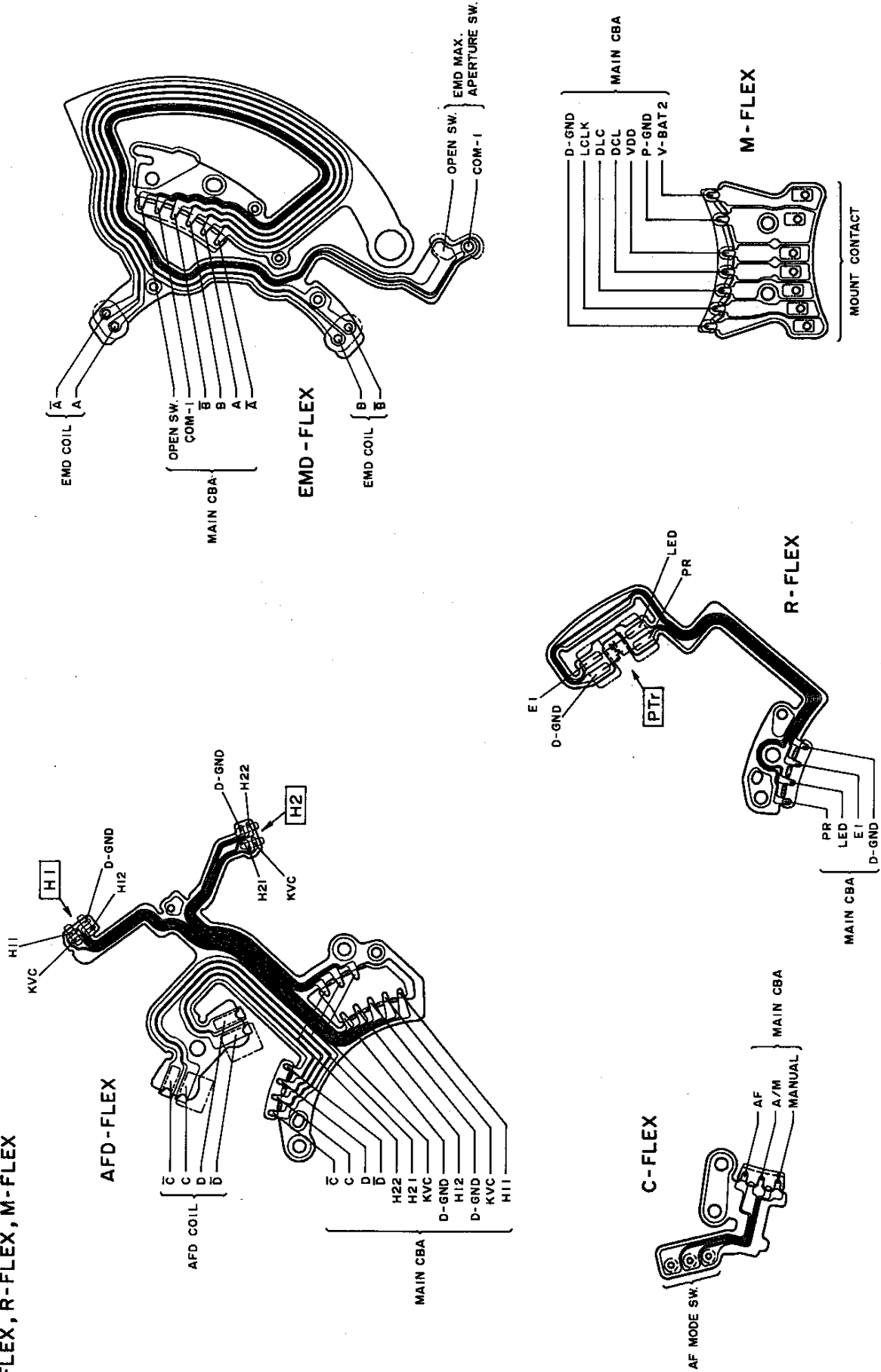
CANON LENS EF 50 mm 1:1.8 (LENS NO. 2000001~)
EF 28 mm 1:2.8 (LENS NO. 200001~)

P.C.B. DIAGRAM (2nd Type)
MAIN CBA



CANON LENS EF 50mm 1:1.8 (LENS NO. 2000001~)
EF 28mm 1:2.8 (LENS NO. 200001~)

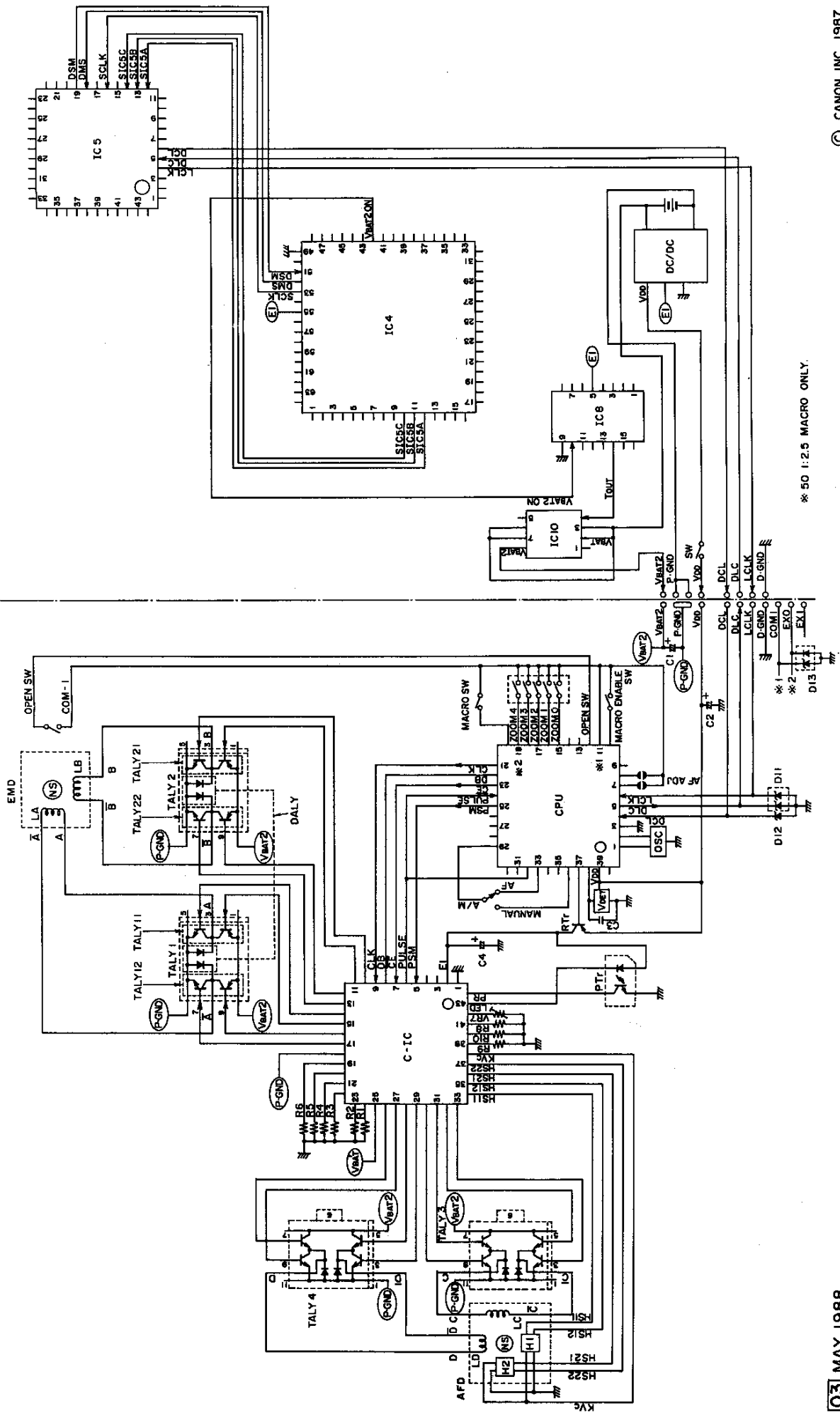
P.C.B. DIAGRAM (2nd Type)
AFD-FLEX, EMD-FLEX
C-FLEX, R-FLEX, M-FLEX



CANON EF LENS (AFD TYPE)

SCHEMATIC DIAGRAM

LENS ← → CAMERA



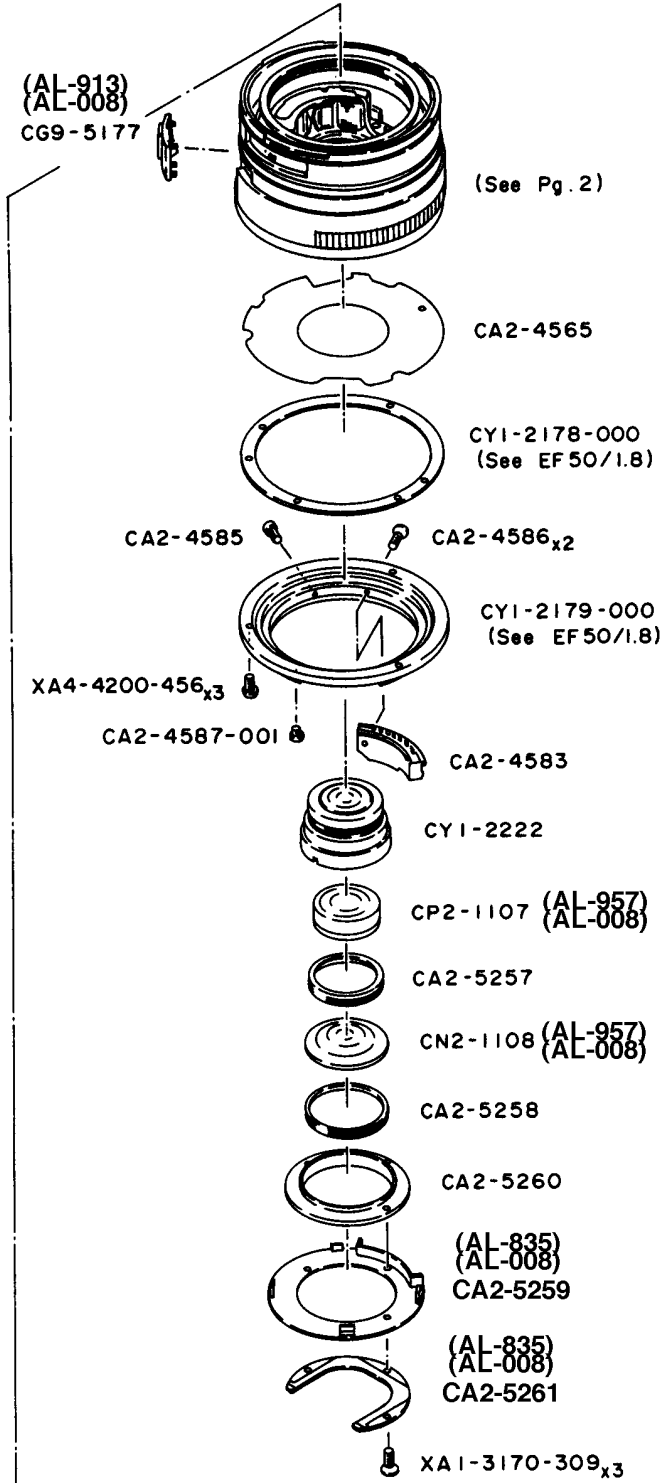
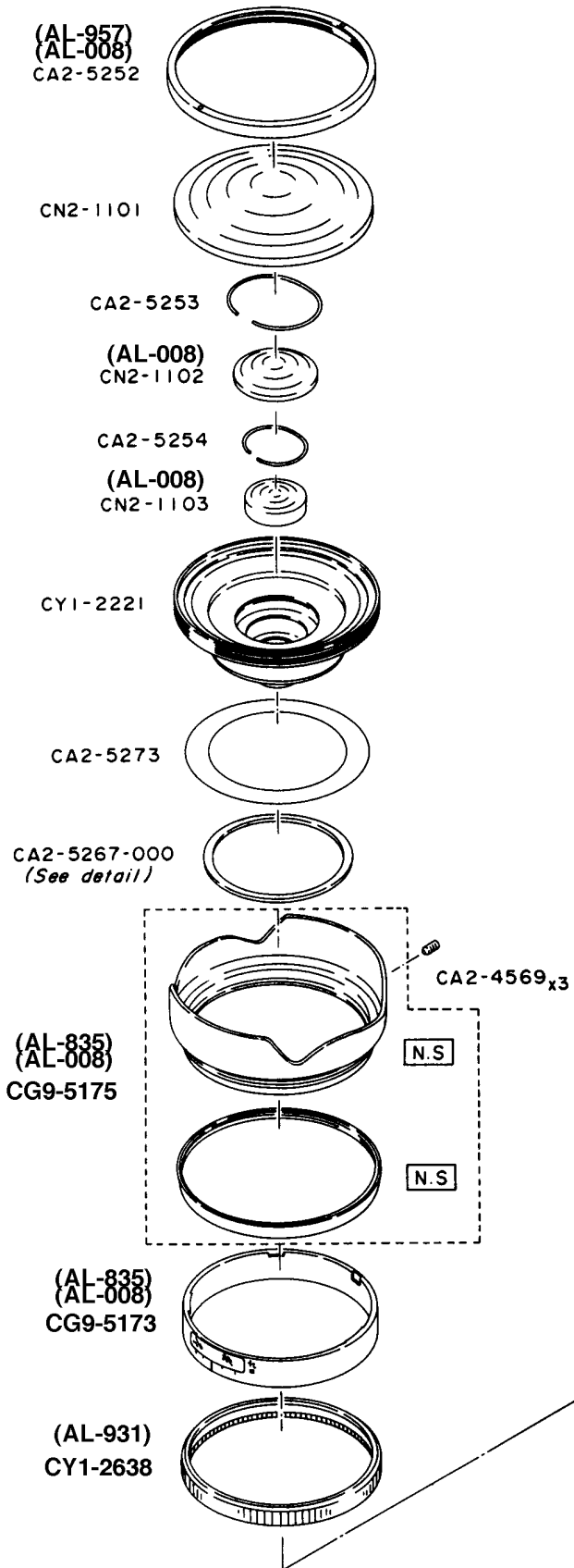
Canon

FISH-EYE EF15mm 1:2.8
REF.NO.C21-5291

(Classification No.end : to 05)

PARTS
CATALOG

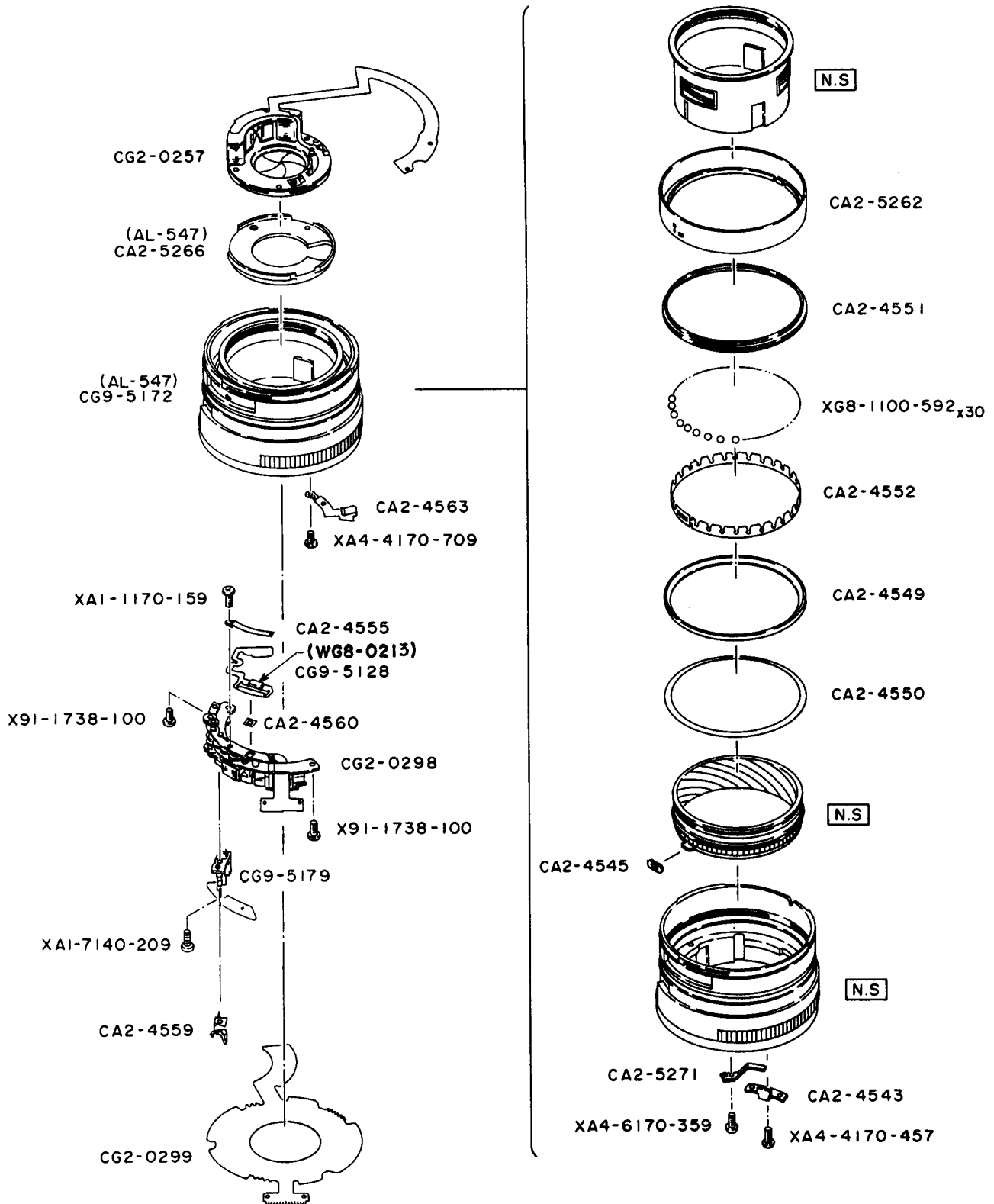
CANON LENS FISH-EYE EF 15 mm 1:2.8



CA2-5267-000 detail

	A	SIZE	A	SIZE
	1.45 mm	(145)	1.65 mm	(165)
	1.50 mm	(150)	1.70 mm	(170)
	1.55 mm	(155)	1.75 mm	(175)
	1.60 mm	(160)		

CANON LENS FISH-EYE EF 15 mm 1:2.8



P A R T S L I S T

REF.No.C21-5291 EF15/2.8

NEW	PART NO.	CLASS	QTY	DESCRIPTION	PAGE
	CA2-4543-000	D	1	KEY, HERICOID	2
	CA2-4545-000	D	1	RUBBER, STOPPER	2
	CA2-4549-000	D	1	RACE, BALL	2
	CA2-4550-000	E	1	WASHER, CUPPED	2
	CA2-4551-000	D	1	RACE, THREADED	2
	CA2-4552-000	D	1	RATAINER	2
	CA2-4555-000	E	1	HOLDER, SENSOR	2
	CA2-4559-000	E	1	LEVER, CLUTCH	2
	CA2-4560-000	E	1	SPACER	2
	CA2-4563-000	E	1	HOLDER, FLEX	2
	CA2-4565-000	E	1	SHEET, SHIELD	1
	CA2-4569-000	E	3	SCREW	1
	CA2-4583-000	D	1	CONTACT ASSY	1
	CA2-4585-000	E	1	SCREW, MOUNT STOPPER	1
	CA2-4586-000	E	2	SCREW	1
	CA2-4587-001	E	1	SCREW, BLIND	1
	CA2-5252-000	D	1	COLLAR, ASSEMBLY	1
	CA2-5253-000	E	1	RING, SNAP	1
	CA2-5254-000	E	1	RING, SNAP	1
	CA2-5257-000	E	1	COLLAR, ASSEMBLY	1
	CA2-5258-000	D	1	COLLAR, ASSEMBLY	1
	CA2-5259-000	D	1	COVER, BACK(1)	1
	CA2-5260-000	D	1	COVER, BACK(2)	1
	CA2-5261-000	D	1	HOLDER, FILTER	1
	CA2-5262-000	E	1	RING, SCALE	2
	CA2-5266-000	E	1	SPACER	2
	CA2-5267-000(xxx)	E	1	WASHER, ADJUSTING	1
	CA2-5271-000	D	1	STOPPER, HELICOID	2
	CA2-5273-000	E	1	WASHER, DUST SHIELD	1
	CG2-0257-000	D	1	POWER, DIAPHRAGM UNIT	2
	CG2-0298-000	D	1	AF DRIVE UNIT	2
	CG2-0299-000	E	1	MAIN FLEX CBA	2
	CG9-5128-000	E	1	PHOTO REFLECTOR CBA	2
	CG9-5172-000	D	1	FOCUSING UNIT	2
	CG9-5173-000	D	1	RING, INDEX	1
	CG9-5175-000	C	1	NAME RING UNIT	1
	CG9-5177-000	D	1	FRAME, SWITCH KNOB	1
	CG9-5179-000	E	1	SWITCH UNIT	2
	CN2-1101-000	C	1	LENS, G1	1
	CN2-1102-000	E	1	LENS, G2	1
	CN2-1103-000	E	1	LENS, G3	1
	CN2-1108-000	C	1	LENS, G8	1
	CP2-1107-000	E	1	LENS, G6/7	1
	CY1-2178-000(xxx)	E	1	WASHER, MOUNT	1
	CY1-2179-000(xxx)	E	1	MOUNT, LENS	1

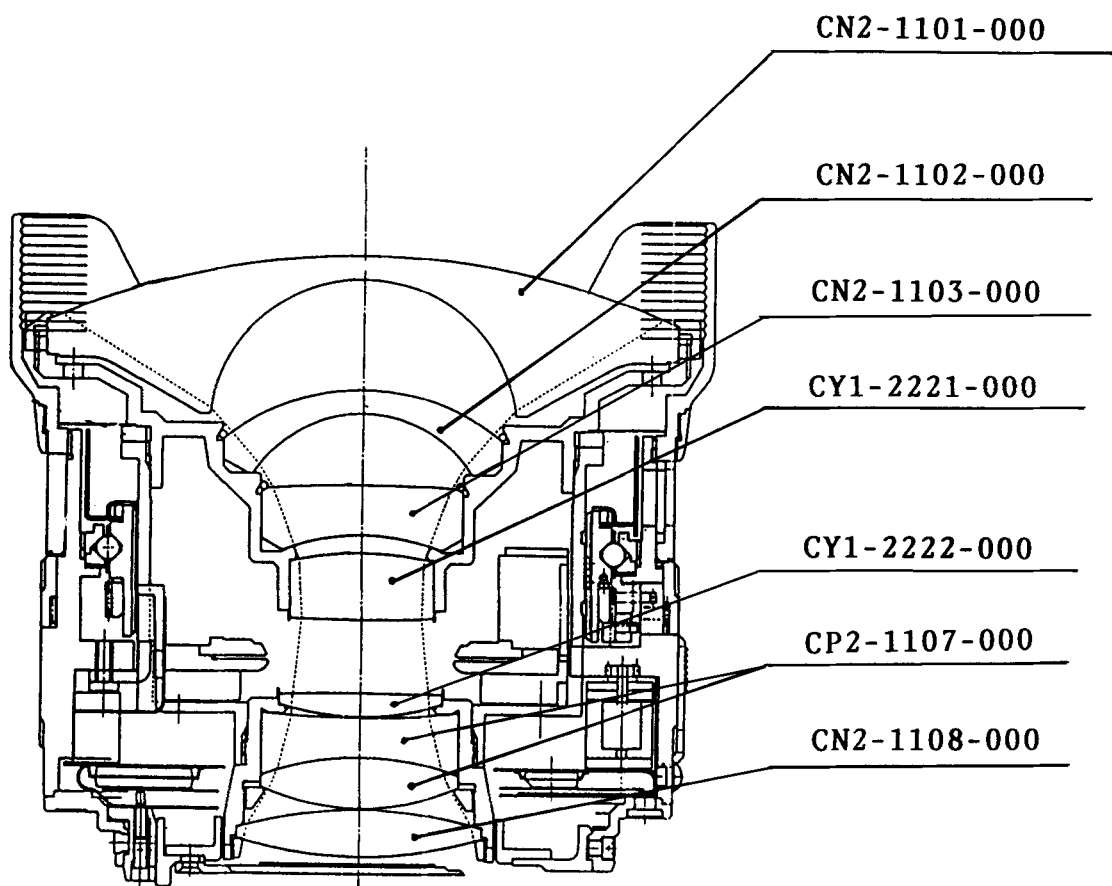
PARTS LIST

REF.No.C21-5291 EF15/2.8

NEW	PART NO.	CLASS	QTY	DESCRIPTION	PAGE
	CY1-2221-000	D	1	LENS/BARREL	1
	CY1-2222-000	D	1	LENS/BARREL	2
	CY1-2638-000	D	1	RING, MANUAL FOCUSING	1
	WG8-0213-000	E	1	PHOTO REFLECTOR	2
	X91-1738-100		2	SCREW, CROSS-RECESS, PH	2
	XA1-1170-159		1	SCREW, CROSS-RECESS, PH	1
	XA1-3170-309		3	SCREW, CROSS-RECESS, FCH	2
	XA1-7140-209		1	SCREW, CROSS-RECESS, PH	2
	XA4-4170-457		1	SCREW, CROSS-RECESS, PH	1
	XA4-4170-709		1	SCREW, CROSS-RECESS, PH	2
	XA4-4200-456		3	SCREW, CROSS-RECESS, PH	2
	XA4-6170-359		1	SCREW, CROSS-RECESS, PH	2
	XG8-1100-592		30	BALL, STEEL	2

CANON LENS FISH-EYE EF 15 mm 1:2.8

REF. NO. C21-5291



Canon

**FISH-EYE EF15mm 1:2.8
REF.NO.C21-5291**

(Classification No.end : to 05)

**PARTS
CATALOG**