

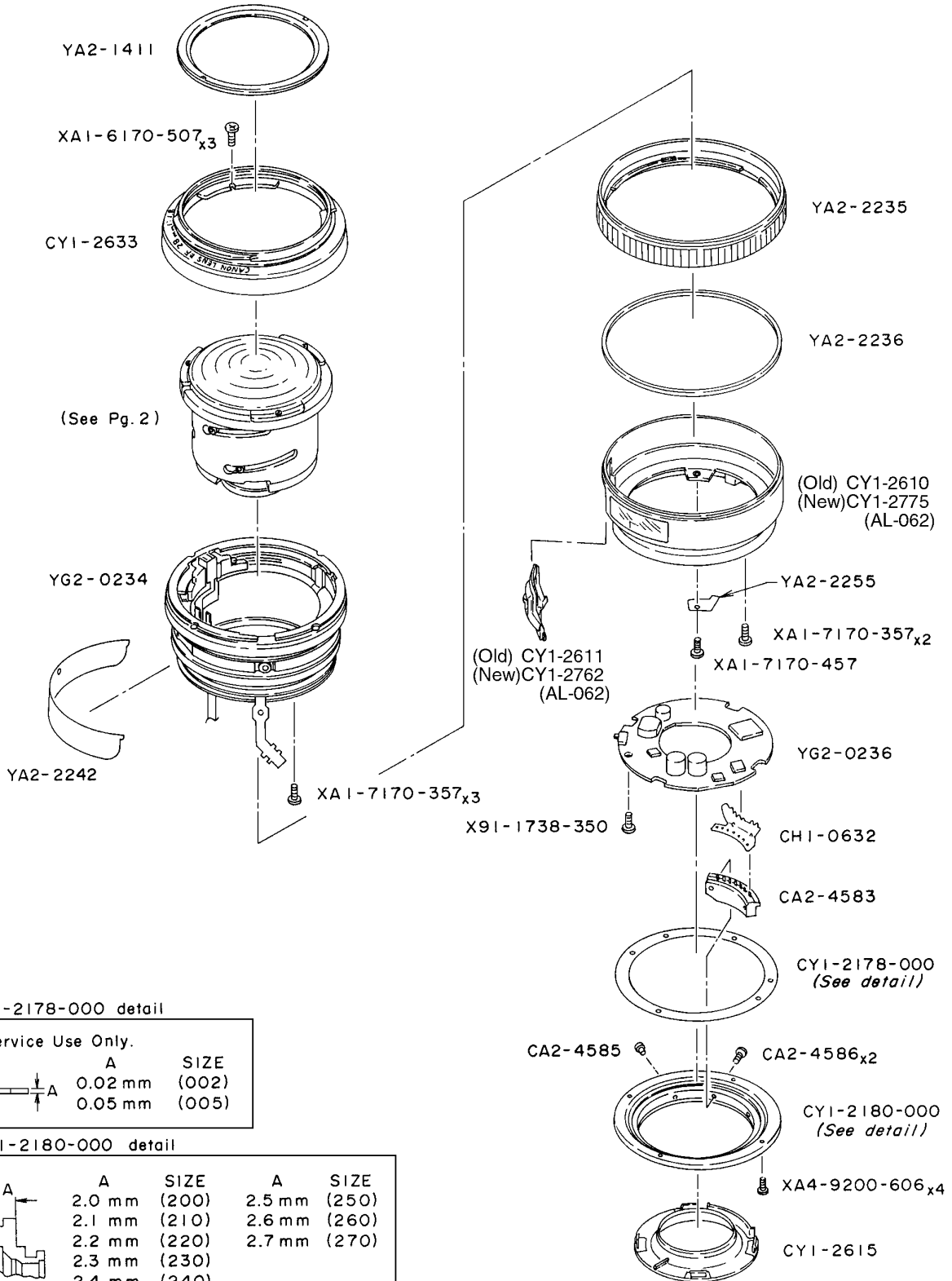
**Canon**

**EF 28mm 1:1.8 USM**

**REF.NO.C21-5351**

**PARTS  
CATALOG**

# CANON LENS EF 28 mm 1:1.8 USM



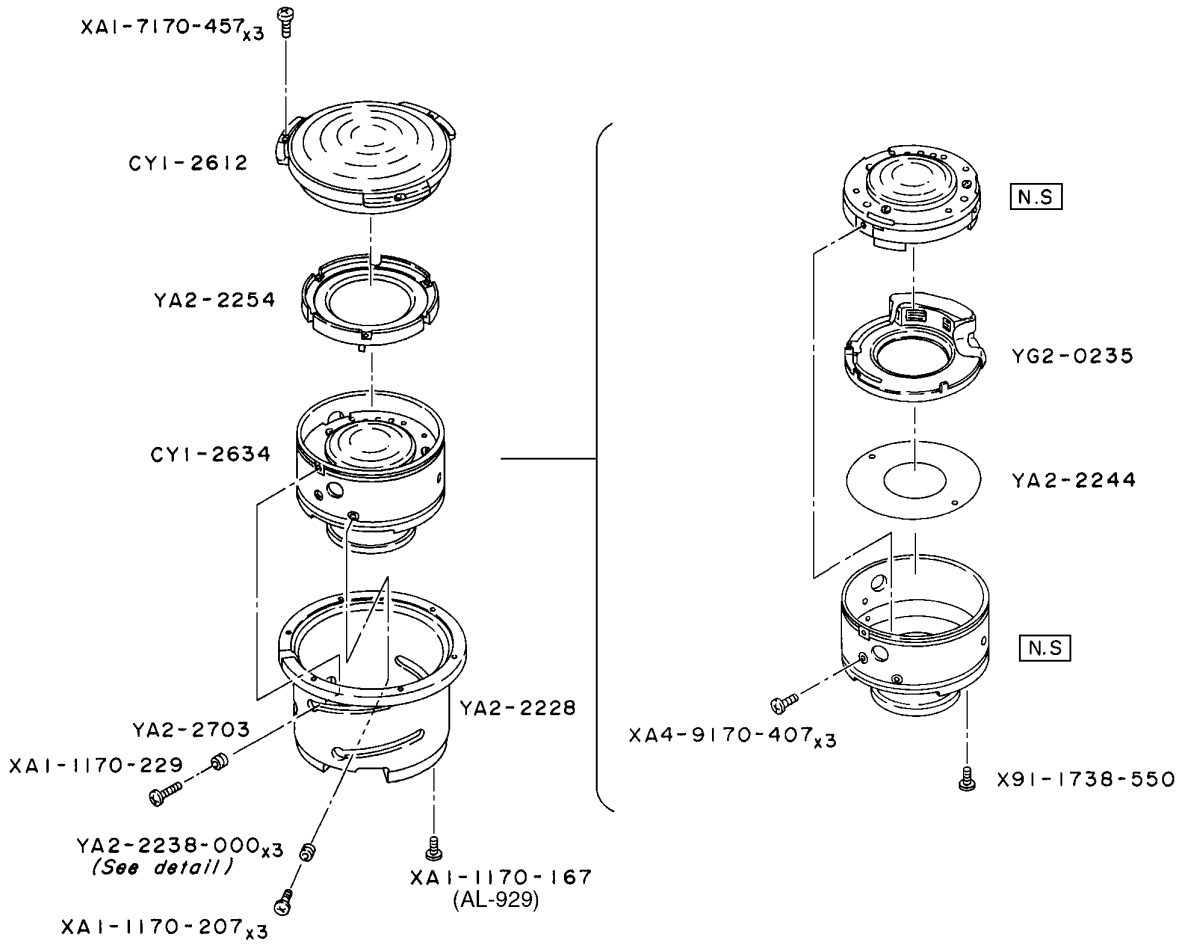
CY1-2178-000 detail

Service Use Only.		
A	SIZE	
	0.02 mm (002)	
	0.05 mm (005)	

CY1-2180-000 detail

A	SIZE	A	SIZE
	2.0 mm (200)	2.5 mm (250)	
	2.1 mm (210)	2.6 mm (260)	
	2.2 mm (220)	2.7 mm (270)	
	2.3 mm (230)		
	2.4 mm (240)		

CANON LENS EF 28 mm 1:1.8 USM



YA2-2238-000 detail

	A	SIZE
	∅ 3.99 mm	(399)
	∅ 4.00 mm	(400)
	∅ 4.01 mm	(401)

# PARTS LIST

REF.No.C21-5351

NEW	PARTS NO.	CLASS	QTY	DESCRIPTION	PAGE
	CA2-4583-000	D	1	CONTACT ASS'Y	1
	CA2-4585-000	E	1	SCREW, MOUNT STOPPER	1
	CA2-4586-000	E	2	SCREW	1
	CH1-0632-000	E	1	PCB ASS'Y, M-FLEX	1
	CY1-2178-000(XXX)	E	1	WASHER, MOUNT	1
	CY1-2180-000(XXX)	C	1	MOUNT, LENS	1
	CY1-2610-000	D	1	RING ASS'Y, INDEX (Old)	1
	CY1-2611-000	D	1	A/M SWITCH ASS'Y (Old)	1
	CY1-2612-000	D	1	LENS ASS'Y, 1st GROUP	2
	CY1-2615-000	E	1	COVER, BACK	1
	CY1-2633-000	D	1	RING UNIT, FRONT	1
	CY1-2634-000	E	1	LENS ASS'Y, REAR	2
	CY1-2762-000	D	1	A/M SWITCH ASS'Y (New)	1
	CY1-2775-000	D	1	RING ASS'Y, INDEX (New)	1
	X91-1738-350		1	SCREW, CROSS-RECESS	1
	X91-1738-550		1	SCREW, CROSS-RECESS, PH	2
	XA1-1170-167		1	SCREW, CROSS-RECESS, PH	2
	XA1-1170-207		3	SCREW, CROSS-RECESS, PH	2
	XA1-1170-229		1	SCREW, CROSS-RECESS, PH	2
	XA1-6170-507		3	SCREW, CROSS-RECESS, PH	1
	XA1-7170-357		5	SCREW, CROSS-RECESS, PH	1
	XA1-7170-457		4	SCREW, CROSS-RECESS, PH	1,2
	XA4-9170-407		3	SCREW, CROSS-RECESS, PH	2
	XA4-9200-606		4	SCREW, CROSS-RECESS, PH	1
	YA2-1411-000	D	1	COLLAR, ASSEMBLY	1
	YA2-2228-000	E	1	BARREL, GUIDE	2
	YA2-2235-000	E	1	RING, MANUAL FOCUSING	1
	YA2-2236-000	E	1	RING, REINFORCEMENT	1
	YA2-2238-000(XXX)	D	3	COLLAR	2
	YA2-2242-000	E	1	SCALE, FOCUSING	1
	YA2-2244-000	E	1	WASHER, LIGHT SHIELD	2
	YA2-2254-000	E	1	RING ASS'Y	2
	YA2-2255-000	E	1	PLATE, REINFORCEMENT	1
	YA2-2703-000	D	1	COLLAR	2
	YG2-0234-000	D	1	FOCUSING UNIT	1
	YG2-0235-000	E	1	POWER DIAPHRAGM UNIT	2
	YG2-0236-000	E	1	PCB ASS'Y, MAIN	1

CANON LENS EF 28mm 1:1.8 USM

