

Canon

EF 24-85mm 1:3.5-4.5 USM

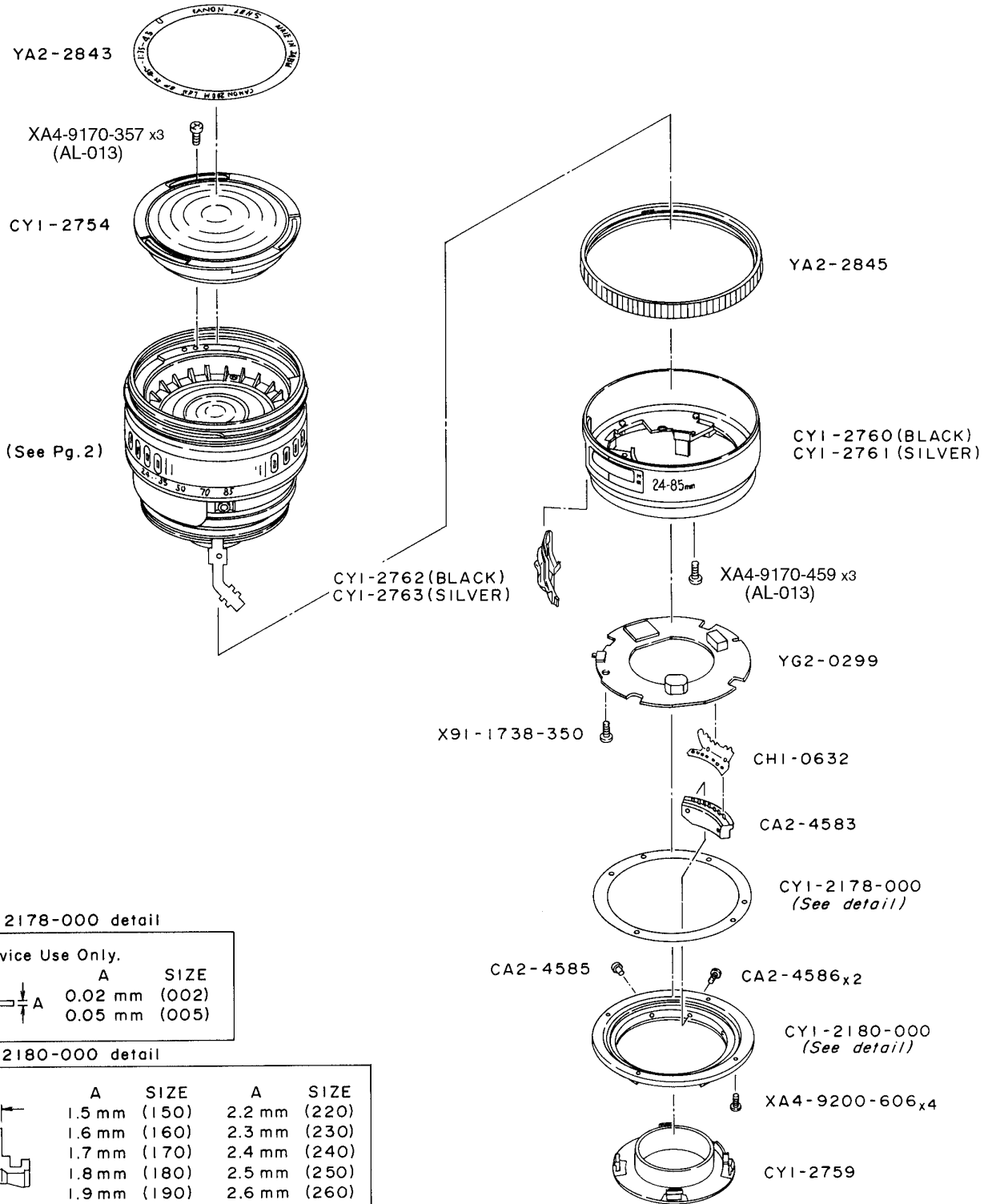
EF 24-85mm 1:3.5-4.5 USM MS

REF.NO.C21-9921

REF.NO.C21-9922

**PARTS
CATALOG**

CANON LENS EF 24-85 mm 1:3.5-4.5 USM
EF 24-85 mm 1:3.5-4.5 USM MS



CYI-2178-000 detail

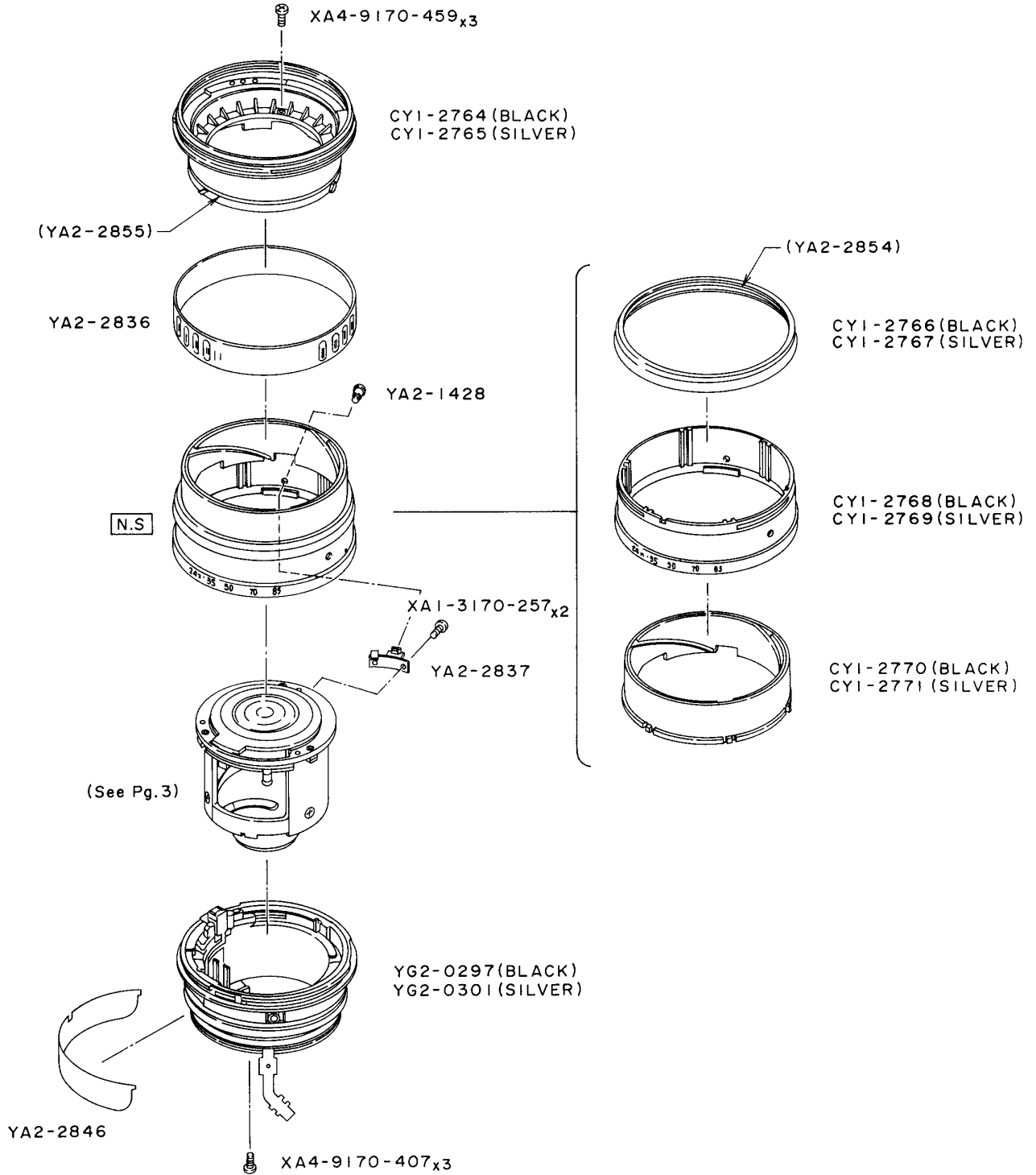
Service Use Only.

A	SIZE
0.02 mm (002)	
0.05 mm (005)	

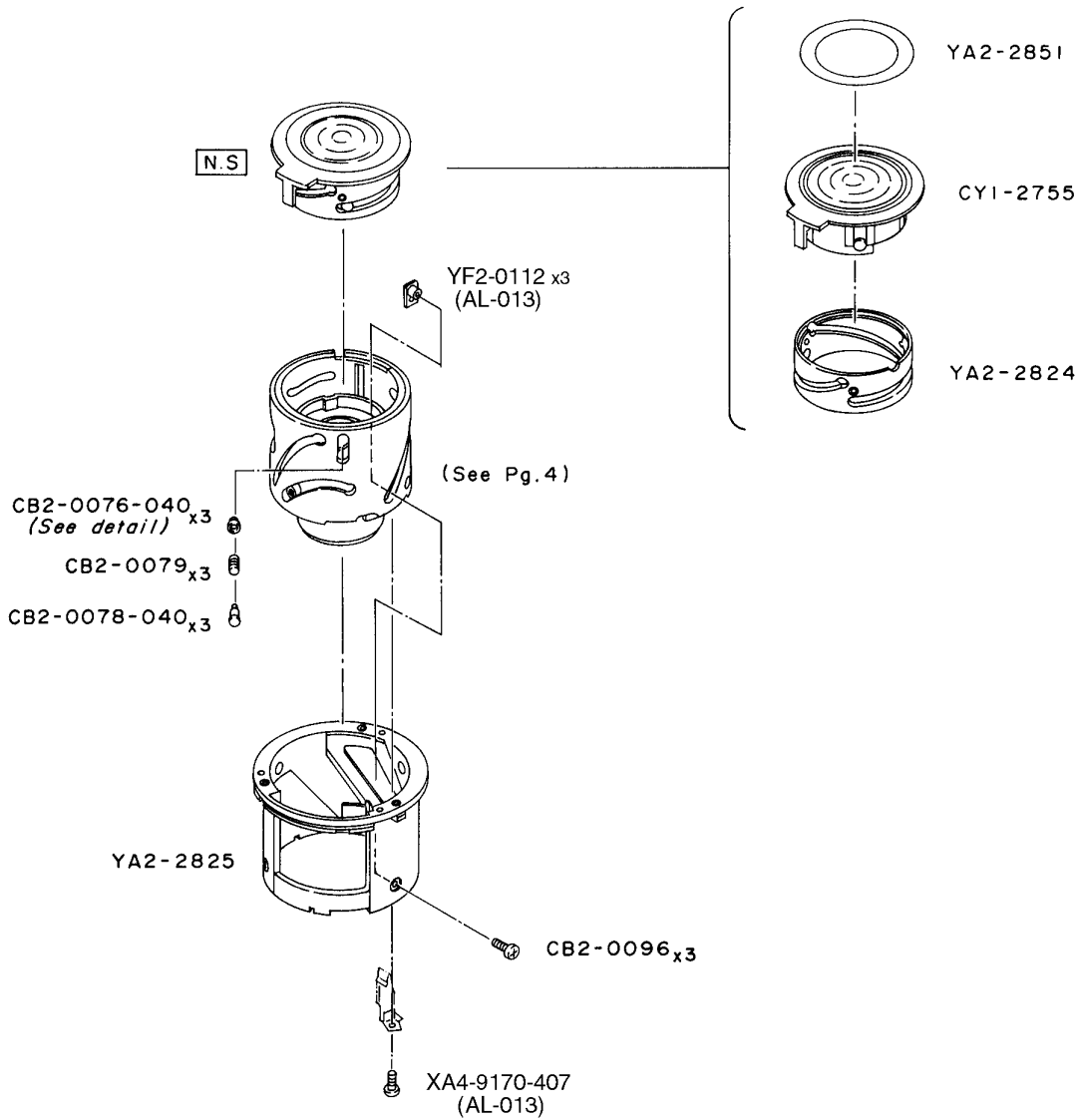
CYI-2180-000 detail

A	SIZE	A	SIZE
1.5 mm (150)		2.2 mm (220)	
1.6 mm (160)		2.3 mm (230)	
1.7 mm (170)		2.4 mm (240)	
1.8 mm (180)		2.5 mm (250)	
1.9 mm (190)		2.6 mm (260)	
2.0 mm (200)		2.7 mm (270)	
2.1 mm (210)			

CANON LENS EF 24-85 mm 1:3.5-4.5 USM
EF 24-85 mm 1:3.5-4.5 USM MS



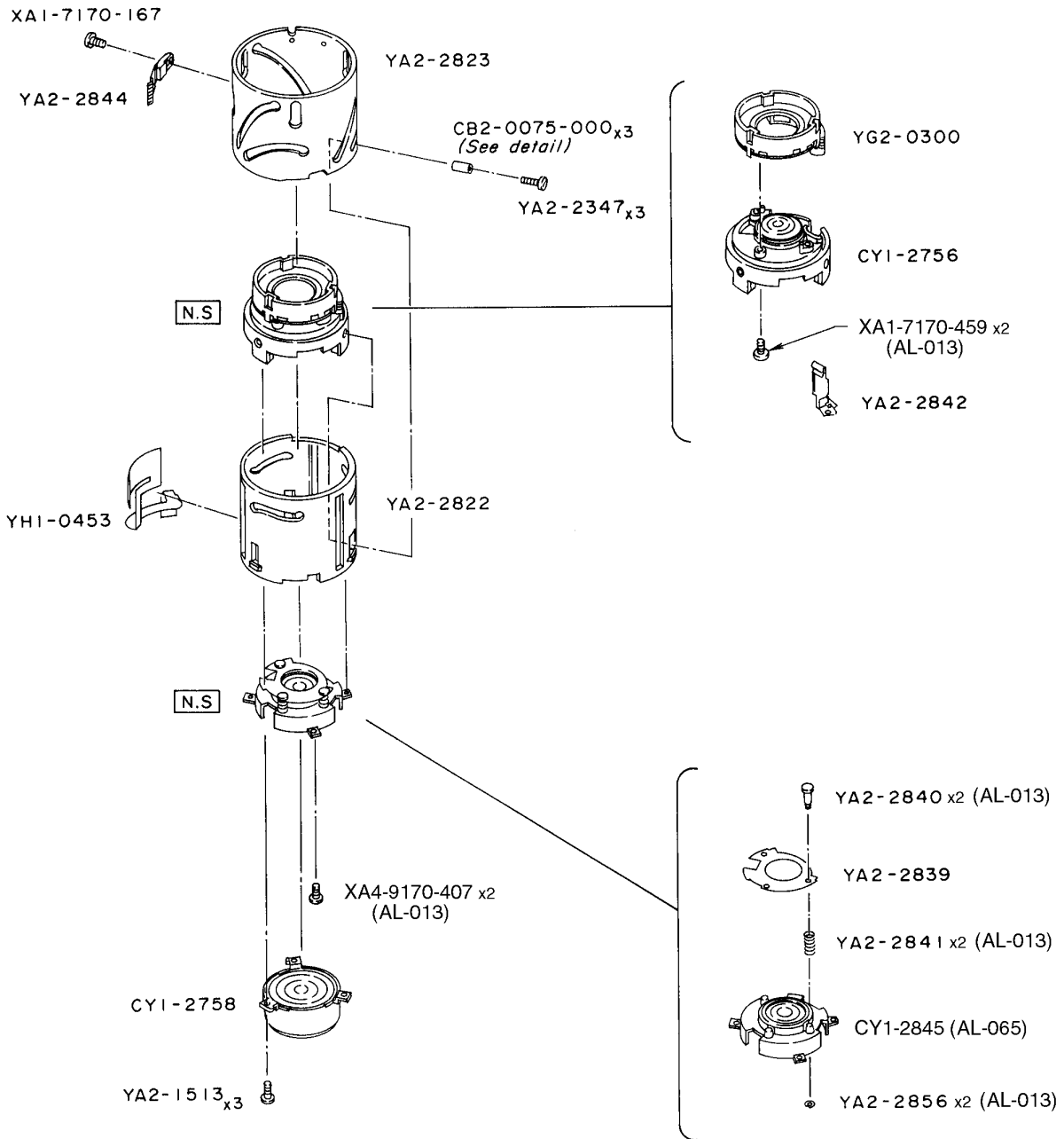
CANON LENS EF 24-85 mm 1:3.5-4.5 USM
EF 24-85 mm 1:3.5-4.5 USM MS



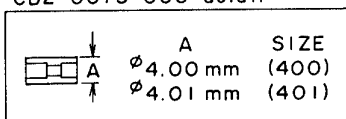
CB2-0076-040 detail

		A	SIZE
A		∅ 3.99 mm	(399)
		∅ 4.00 mm	(400)

CANON LENS EF 24-85 mm 1:3.5-4.5 USM
EF 24-85 mm 1:3.5-4.5 USM MS



CB2-0075-000 detail



PARTS LIST

REF.No.C21-9921,2

NEW	PARTS NO.	CLASS	QTY	DESCRIPTION	PAGE
	CA2-4583-000	D	1	CONTACT ASS'Y	1
	CA2-4585-000	E	1	SCREW, MOUNT STOPPER	1
	CA2-4586-000	E	2	SCREW	1
	CB2-0075-000(XXX)	E	3	COLLAR	4
	CB2-0076-040(XXX)	E	3	COLLAR, TAPER	3
	CB2-0078-040	E	3	SCREW, STUD	3
	CB2-0079-000	E	3	SPRING, COIL	3
	CB2-0096-000	E	3	SCREW, STUD	3
	CH1-0632-000	E	1	PCB ASS'Y, M-FLEX	1
	CY1-2178-000(XXX)	E	1	WASHER, MOUNT	1
	CY1-2180-000(XXX)	E	1	MOUNT, LENS	1
	CY1-2754-000	E	1	LENS ASS'Y, 1st GROUP	1
	CY1-2755-000	E	1	LENS ASS'Y, 2nd GROUP	3
	CY1-2756-000	E	1	LENS ASS'Y, 3rd GROUP	4
	CY1-2758-000	E	1	LENS ASS'Y, 5th GROUP	4
	CY1-2759-000	E	1	COVER, BACK	1
	CY1-2760-000	D	1	BARREL ASS'Y, FIXED (BLACK)	1
	CY1-2761-000	D	1	BARREL ASS'Y, FIXED (SILVER)	1
	CY1-2762-000	D	1	A/M SWITCH ASS'Y (BLACK)	1
	CY1-2763-000	D	1	A/M SWITCH ASS'Y (SILVER)	1
	CY1-2764-000	D	1	RING ASS'Y, FRONT (BLACK)	2
	CY1-2765-000	D	1	RING ASS'Y, FRONT (SILVER)	2
	CY1-2766-000	D	1	RING ASS'Y, REINFORCEMENT (BLACK)	2
	CY1-2767-000	D	1	RING ASS'Y, REINFORCEMENT (SILVER)	2
	CY1-2768-000	D	1	RING, ZOOM (BLACK)	2
	CY1-2769-000	D	1	RING, ZOOM (SILVER)	2
	CY1-2770-000	D	1	BARREL, INTERMEDIATE (BLACK)	2
	CY1-2771-000	D	1	BARREL, INTERMEDIATE (SILVER)	2
	CY1-2845-000	E	1	LENS ASS'Y, 4th GROUP	4
	X91-1738-350		1	SCREW, CROSS-RECESS	1
	XA1-3170-257		2	SCREW, CROSS-RECESS, FCH	2
	XA1-7170-167		1	SCREW, CROSS-RECESS, PH	4
	XA1-7170-459		2	SCREW, CROSS-RECESS, PH	4
	XA4-9170-357		3	SCREW, CROSS-RECESS, PH	1
	XA4-9170-407		6	SCREW, CROSS-RECESS, PH	2,3,4
	XA4-9170-459		6	SCREW, CROSS-RECESS, PH	1,2
	XA4-9200-606		4	SCREW, CROSS-RECESS, PH	1
	YA2-1428-000	F	1	SCREW	2
	YA2-1513-000	F	3	SCREW, CROSS-RECESS, PH	4
	YA2-2347-000	F	3	SCREW	4
	YA2-2822-000	E	1	BARREL, GUIDE	4
	YA2-2823-000	E	1	BARREL, CAM	4
	YA2-2824-000	E	1	BARREL, INNER CAM	3
	YA2-2825-000	E	1	BARREL, HELICOID	3
	YA2-2836-000	D	1	RING, RUBBER	2
	YA2-2837-000	E	1	BASE, ZOOMING GUIDE	2
	YA2-2839-000	E	1	RING, FLARE	4
	YA2-2840-000	E	2	SHAFT	4
	YA2-2841-000	E	2	SPRING, COIL	4
	YA2-2842-000	E	1	HOLDER, EMD-FLX	4

PARTS LIST

REF.No.C21-9921,2

NEW	PARTS NO.	CLASS	QTY	DESCRIPTION	PAGE
	YA2-2843-000	D	1	COVER, FILTER RING	1
	YA2-2844-000	E	1	BRUSH, ZOOMING	4
	YA2-2845-000	D	1	RING, MANUAL FOCUSING	1
	YA2-2846-000	E	1	SCALE, FOCUSING	2
	YA2-2851-000	D	1	RING, BLIND	3
	YA2-2854-000	D	1	SHIELD, DUST 1	2
	YA2-2855-000	D	1	SHIELD, DUST 2	2
	YA2-2856-000	E	2	RING, STOPPER	4
	YF2-0112-000	E	3	KEY	3
	YG2-0297-000	D	1	FOCUSING ASS'Y (BLACK)	2
	YG2-0299-000	E	1	PCB ASS'Y, MAIN	1
	YG2-0300-000	E	1	POWER DIAPHRAGM ASS'Y	4
	YG2-0301-000	D	1	FOCUSING ASS'Y (SILVER)	2
	YH1-0453-000	E	1	FPC, ZOOM	4

CANON LENS EF 24-85mm 1:3.5-4.5 USM
EF 24-85mm 1:3.5-4.5 USM MS

