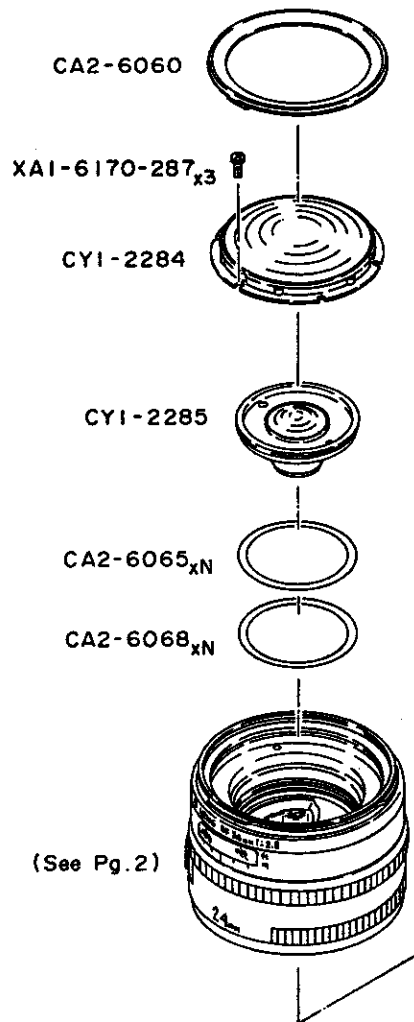


Canon

EF 24mm 1:2.8
REF.NO.C21-5301

PARTS
CATALOG

CANON LENS EF 24 mm 1:2.8



CYI-2178-000 detail

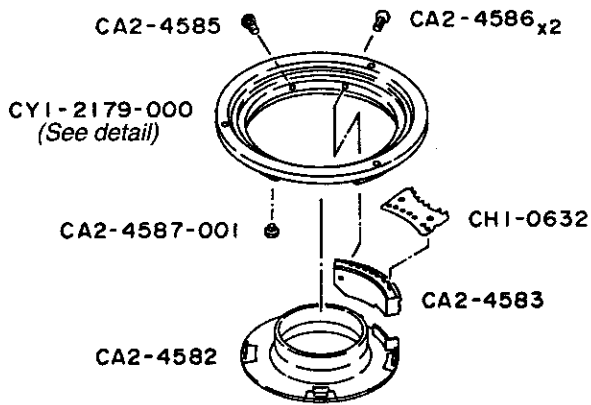
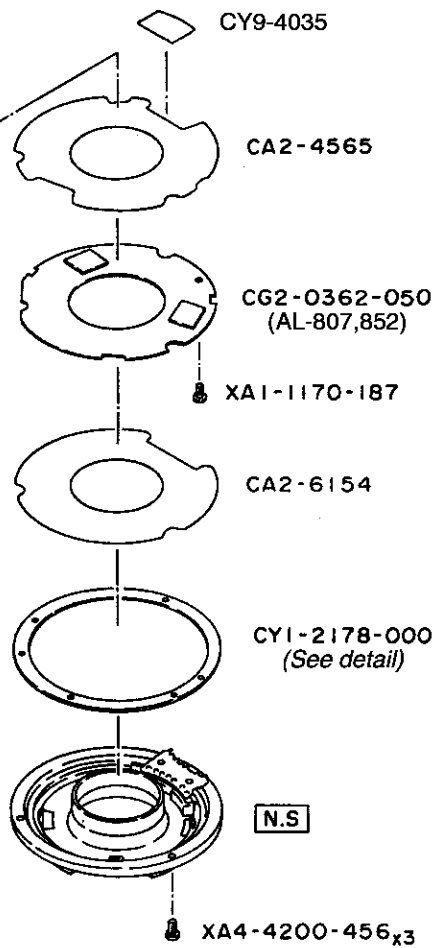
Service Use Only.

A	SIZE
0.02 mm	(002)
0.05 mm	(005)

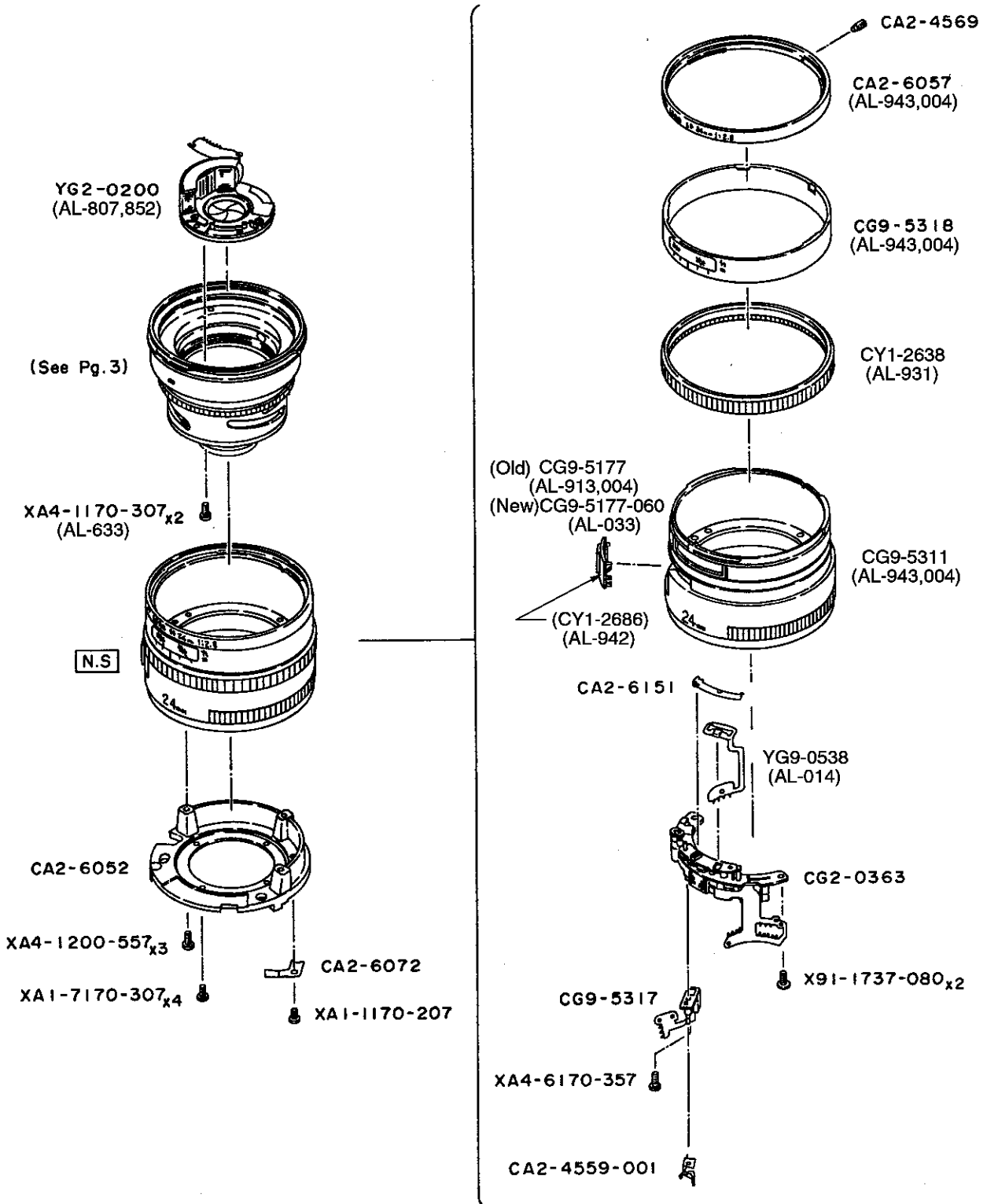
CYI-2179-000 detail

A	SIZE
1.7 mm	(170)
1.8 mm	(180)
1.9 mm	(190)
2.0 mm	(200)
2.1 mm	(210)
2.2 mm	(220)
2.3 mm	(230)
2.4 mm	(240)
2.5 mm	(250)
2.6 mm	(260)

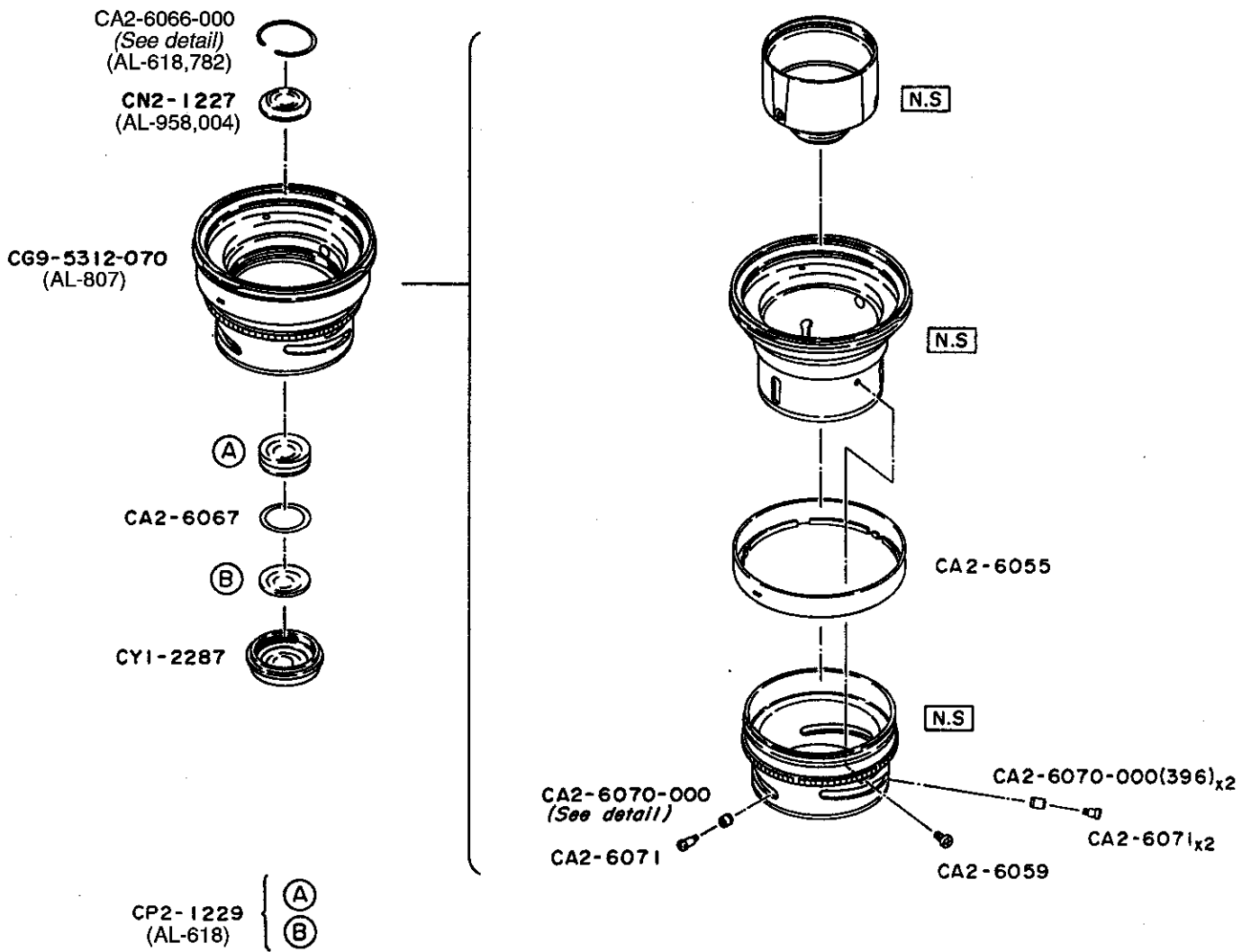
(See Pg. 2)



CANON LENS EF 24 mm 1:2.8



CANON LENS EF 24 mm 1:2.8



CA2-6070-000 detail

A	SIZE
φ4.00mm	(400)
φ4.01mm	(401)
φ4.02mm	(402)

CA2-6066-000 detail

A	SIZE
φ0.7mm	(070)
φ0.8mm	(080)

PARTS LIST

REF.No.C21-5301

NEW	PART.NO.	CLASS	QTY	DESCRIPTION	PAGE
	CA2-4559-001	F	1	LEVER, CLUTCH	2
	CA2-4565-000	E	1	SHEET, SHIELD	1
	CA2-4569-000	E	1	SCREW	2
	CA2-4582-000	D	1	COVER, BACK	1
	CA2-4583-000	D	1	CONTACT ASS'Y	1
	CA2-4585-000	E	1	SCREW, MOUNT STOPPER	1
	CA2-4586-000	E	2	SCREW	1
	CA2-4587-001	E	1	SCREW, BLIND	1
	CA2-6052-000	E	1	BASE, BARREL	2
	CA2-6055-000	E	1	RING, SCALE	3
	CA2-6057-000	D	1	RING, NAME	2
	CA2-6059-000	E	1	SCREW, FOCUS STOPPER	3
	CA2-6060-000	D	1	RING, FRONT	1
	CA2-6065-000	E	1	SPACER	1
	CA2-6066-000 (070)	E	1	RING, SNAP	3
	CA2-6066-000 (080)	E	1	RING, SNAP	3
	CA2-6067-000	E	1	SPACER, G8/9	3
	CA2-6068-000	E	1	SPACER	1
	CA2-6070-000 (396)	E	2	COLLAR	3
	CA2-6070-000 (400)	E	1	COLLAR, ADJUSTING	3
	CA2-6070-000 (401)	E	1	COLLAR, ADJUSTING	3
	CA2-6070-000 (402)	E	1	COLLAR, ADJUSTING	3
	CA2-6071-000	E	3	SCREW	3
	CA2-6072-000	E	1	HOLDER, EMD-FLEX	2
	CA2-6151-000	E	1	HOLDER, SENSOR	2
	CA2-6154-000	E	1	SHEET, SHIELD	1
	CG2-0362-050	D	1	MAIN CBA	1
	CG2-0363-000	D	1	AF DRIVE UNIT	2
	CG9-5177-000	D	1	FRAME, SWITCH KNOB (OLD)	2
	CG9-5177-060	D	1	A/M SWITCH ASS'Y (NEW)	2
	CG9-5311-000	D	1	BARREL, MAIN	2
	CG9-5312-070	D	1	FOCUSING UNIT	3
	CG9-5317-000	E	1	SWITCH UNIT	2
	CG9-5318-000	D	1	RING, INDEX	2
	CH1-0632-000	E	1	M-FLEX	1
	CN2-1227-000	E	1	LENS, G7	3
	CP2-1229-000	E	1	LENS, G8/9	3
	CY1-2178-000 (002)	E	1	WASHER, MOUNT	1
	CY1-2178-000 (005)	E	1	WASHER, MOUNT	1
	CY1-2179-000 (170)	E	1	MOUNT, LENS	1
	CY1-2179-000 (180)	E	1	MOUNT, LENS	1
	CY1-2179-000 (190)	E	1	MOUNT, LENS	1
	CY1-2179-000 (200)	E	1	MOUNT, LENS	1
	CY1-2179-000 (210)	E	1	MOUNT, LENS	1
	CY1-2179-000 (220)	E	1	MOUNT, LENS	1
	CY1-2179-000 (230)	E	1	MOUNT, LENS	1
	CY1-2179-000 (240)	E	1	MOUNT, LENS	1
	CY1-2179-000 (250)	E	1	MOUNT, LENS	1
	CY1-2179-000 (260)	E	1	MOUNT, LENS	1
	CY1-2284-000	D	1	LENS/BARREL	1
	CY1-2285-000	E	1	LENS/BARREL	1
	CY1-2287-000	D	1	LENS/BARREL	3
	CY1-2638-000	D	1	RING, MANUAL FOCUSING	2
	CY1-2686-000	D	1	COVER, A/M SWITCH	2
	CY9-4035-000		1	TAPE, INSULATOR	1

PARTS LIST

REF.No.C21-5301

NEW	PART.NO.	CLASS	QTY	DESCRIPTION	PAGE
	X91-1737-080		2	SCREW, CROSS-RECESS,PH	2
	XA1-1170-187		1	SCREW, CROSS-RECESS, PH	1
	XA1-1170-207		1	SCREW, CROSS-RECESS,PH	2
	XA1-6170-287		3	SCREW, CROSS-RECESS,PH	1
	XA1-7170-307		4	SCREW, CROSS-RECESS,PH	2
	XA4-1170-307		2	SCREW, CROSS-RECESS,PH	2
	XA4-1200-557		3	SCREW, CROSS-RECESS,PH	2
	XA4-4200-456		3	SCREW, CROSS-RECESS,PH	1
	XA4-6170-357		1	SCREW, CROSS-RECESS,PH	2
	YG2-0200-000	D	1	POWER DIAPHRAGM UNIT	2
	YG9-0538-000	E	1	PHOTO REFLECTOR CBA	2

CANON LENS EF 24 mm 1:2.8

REF. NO. C21-5301

