

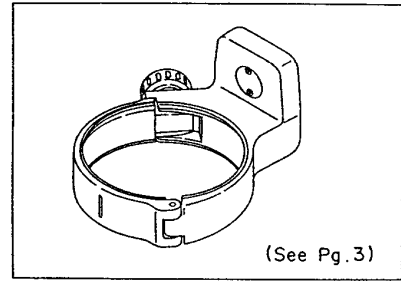
Canon

**EF 200mm 1:2.8 L
REF.NO. C21-7311**

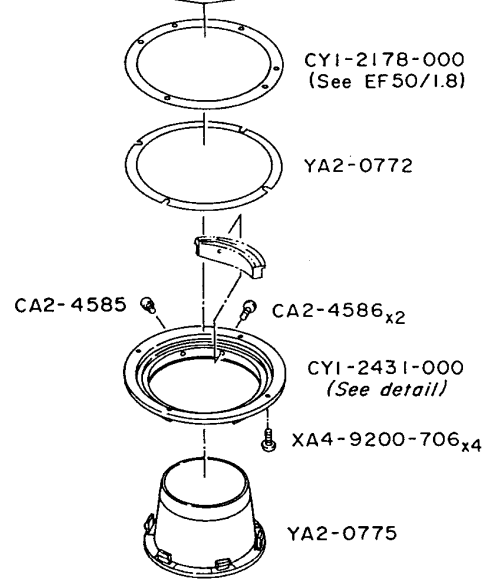
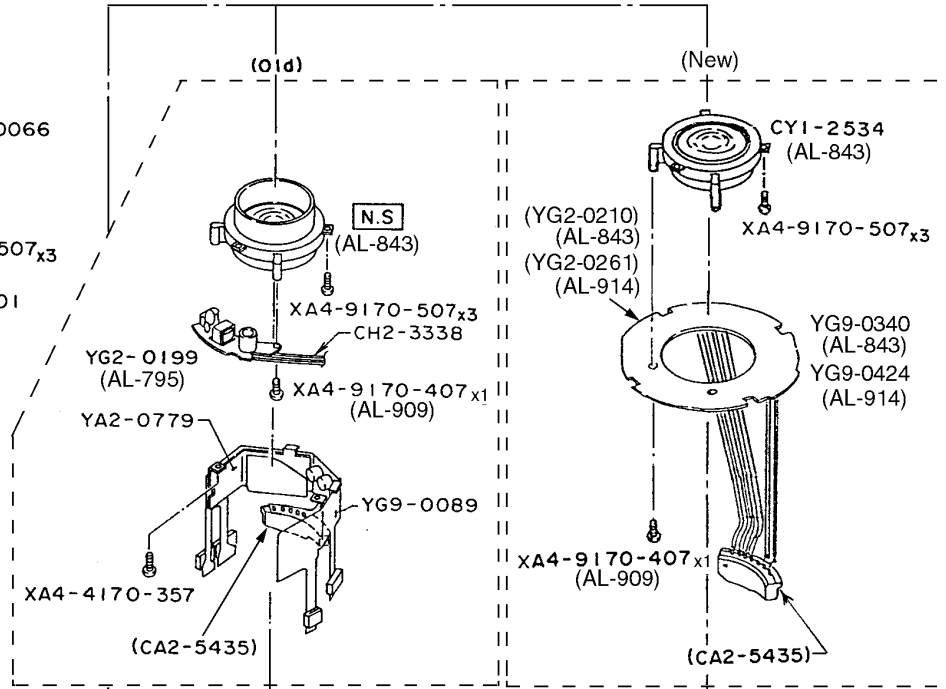
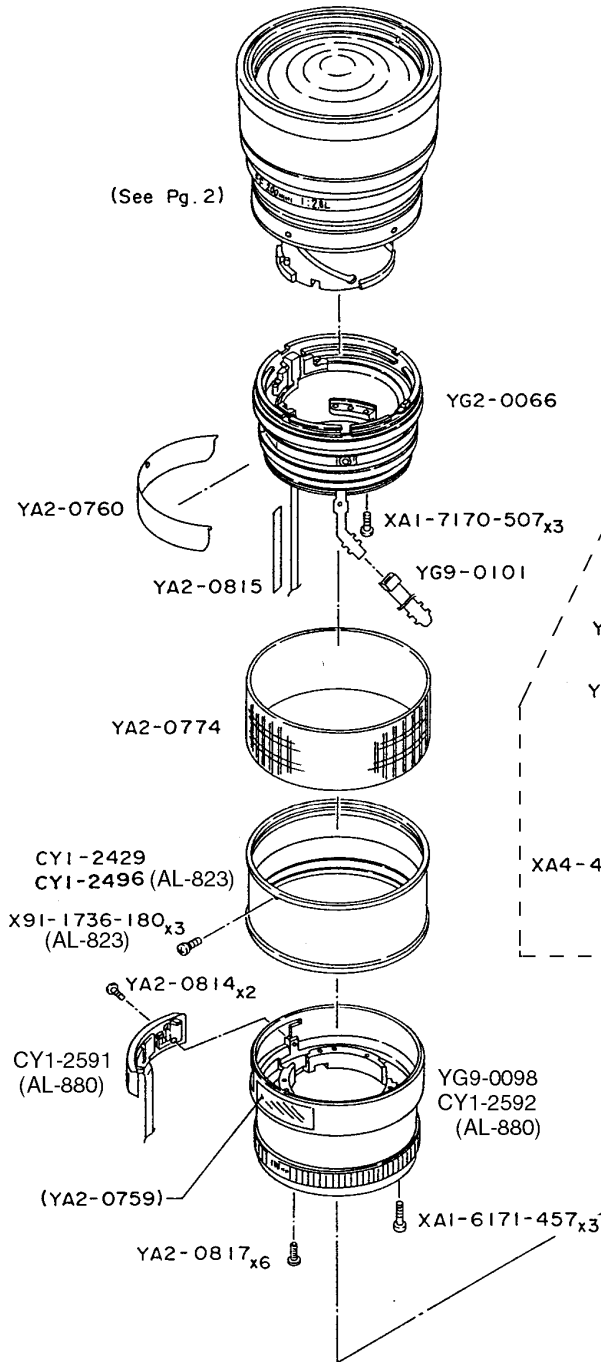
**PARTS
CATALOG**

CANON LENS EF 200 mm 1:2.8L

C54-7001 TRIPOD MOUNT RING



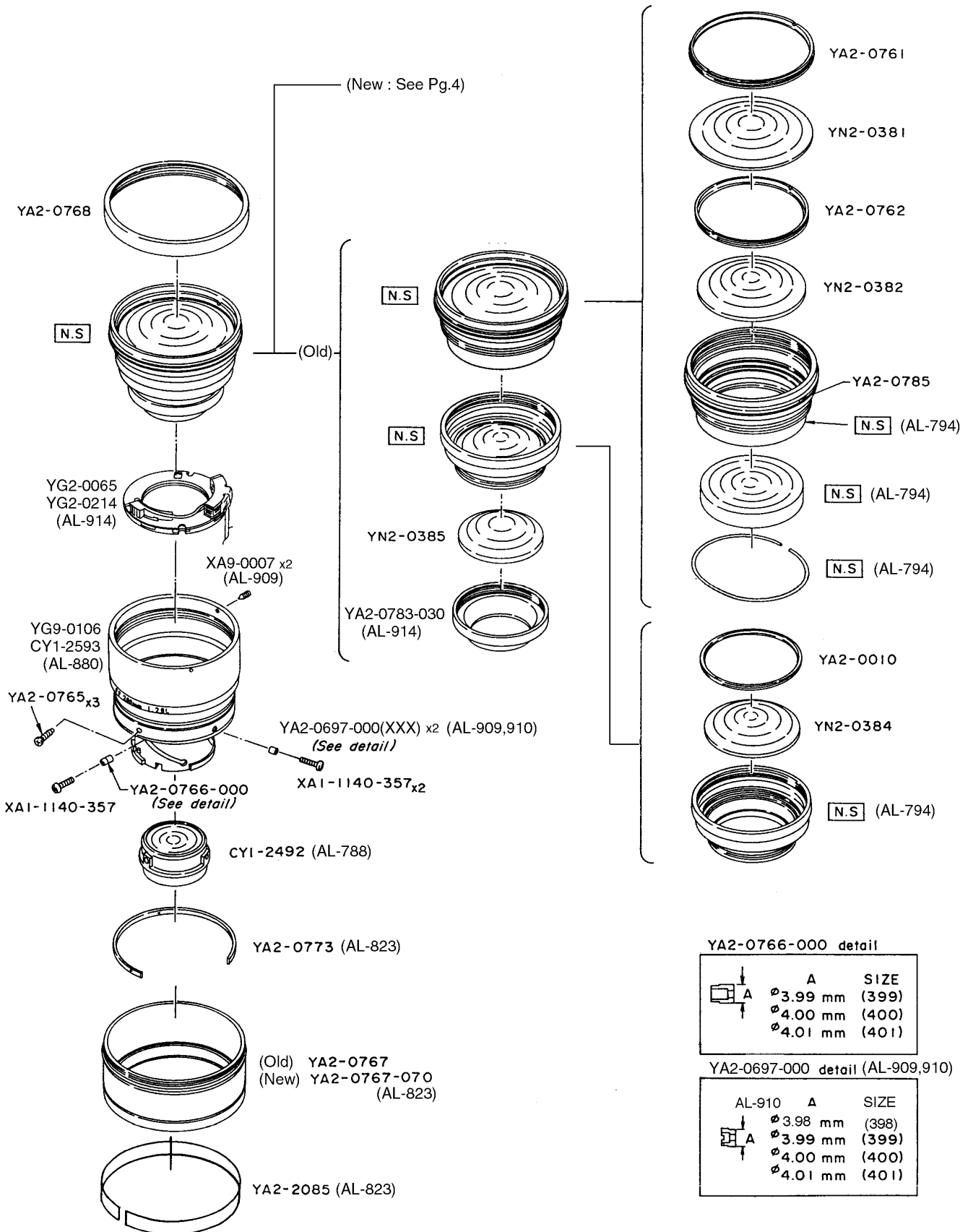
(See Pg. 2)



CY1-2431-000 detail

A		SIZE		A		SIZE	
2.0 mm (200)		2.5 mm (250)		2.1 mm (210)		2.6 mm (260)	
2.2 mm (220)		2.7 mm (270)		2.3 mm (230)		2.8 mm (280)	
2.4 mm (240)							

CANON LENS EF 200 mm 1:2.8L



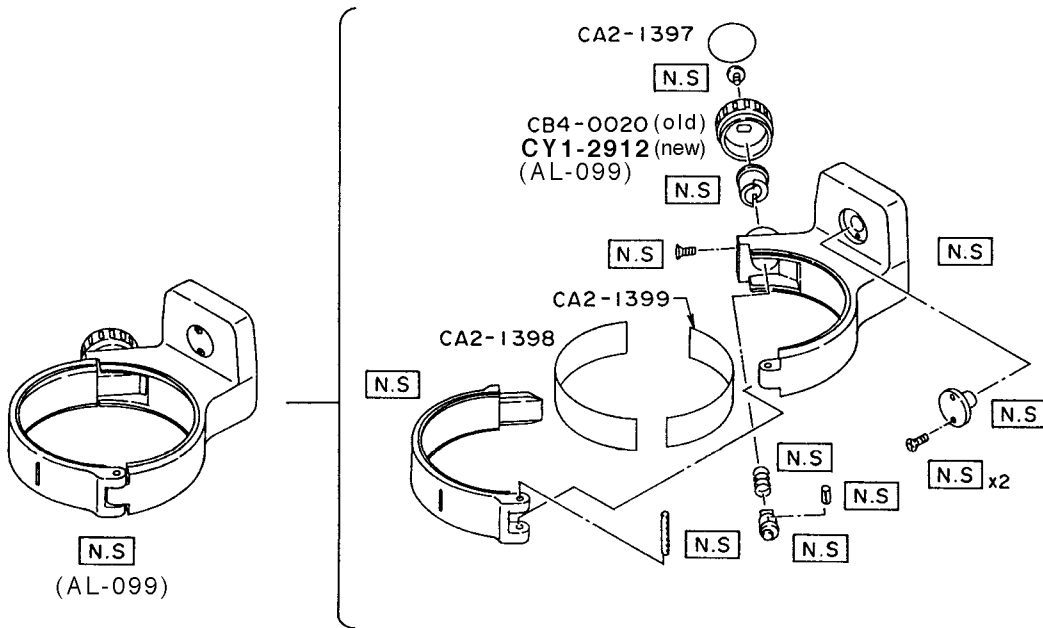
YA2-0766-000 detail

A	SIZE
φ 3.99 mm (399)	
φ 4.00 mm (400)	
φ 4.01 mm (401)	

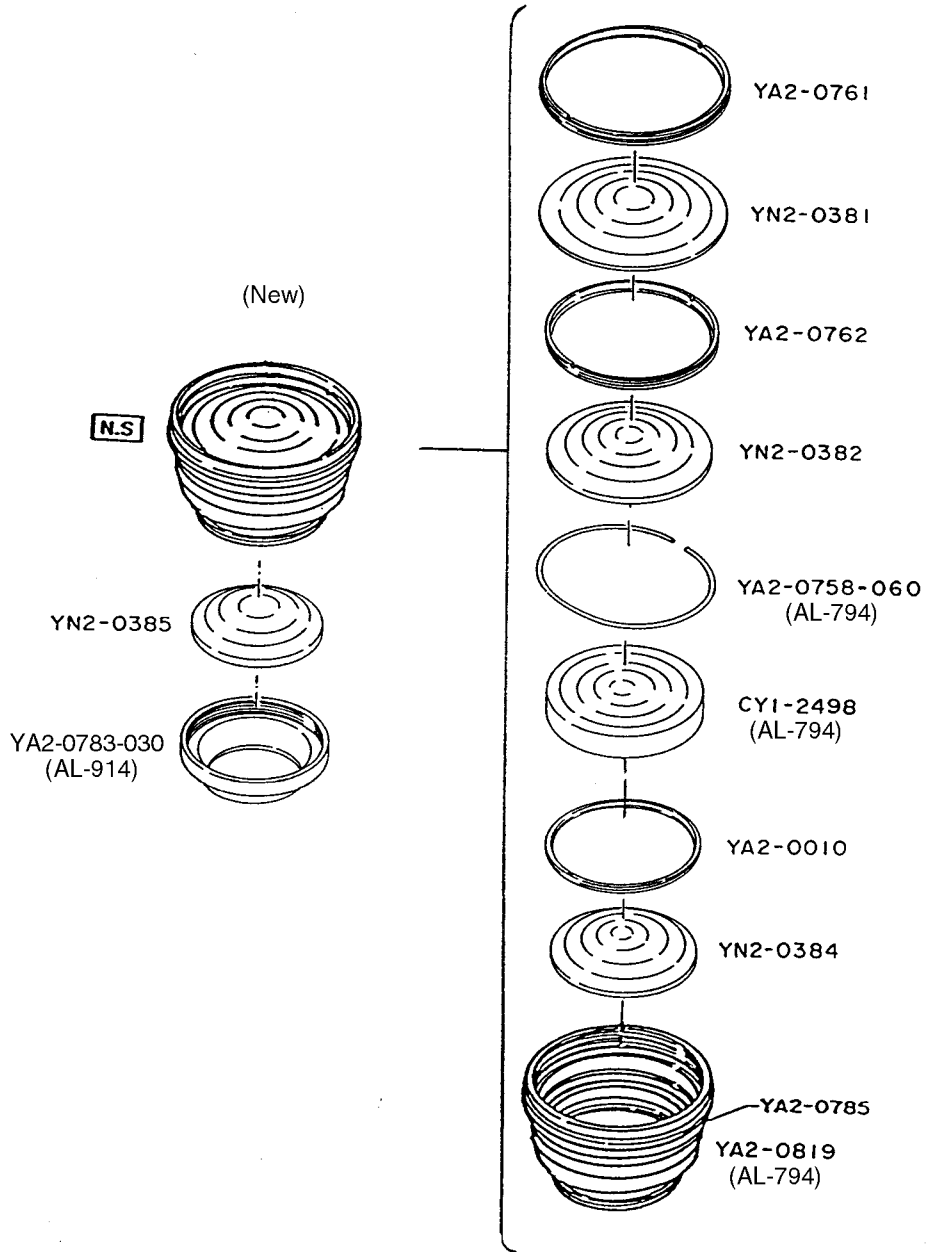
YA2-0697-000 detail (AL-909,910)

AL-910	A	SIZE
	φ 3.98 mm (398)	
	φ 3.99 mm (399)	
	φ 4.00 mm (400)	
	φ 4.01 mm (401)	

CANON LENS EF 200 mm 1:2.8L



CANON LENS EF 200 mm 1:2.8L



PARTS LIST

REF.No.C21-7311 EF200mm 1:2.8L

NEW	PARTS NO.	CLASS	QTY	DESCRIPTION	PAGE
	CA2-4585-000	E	1	SCREW, MOUNT STOPPER	1
	CA2-4586-000	E	2	SCREW	1
	CA2-5435-000	D	1	CONTACT ASS'Y	1
	CH2-3338-000	E	1	CABLE, FLAT	1
	CY1-2178-000	E	1	WASHER, MOUNT	1
	CY1-2429-000	D	1	RING, MANUAL FOCUSING	1
	CY1-2431-000(XXX)	C	1	MOUNT, LENS	1
	CY1-2492-000	E	1	BARREL, LENS G6/7	2
	CY1-2496-000	D	1	RING, MANUAL FOCUSING	1
	CY1-2498-000	E	1	LENS, G3	4
	CY1-2534-000	E	1	LENS, (G8/9)ASS'Y	1
	CY1-2591-000	D	1	A/M SWITCH ASS'Y	1
	CY1-2592-000	D	1	BARREL, FIXED	1
	CY1-2593-000	E	1	BARREL, CAM	2
	X91-1736-180		3	SCREW, CROSS-RECESS, PH	1
	XA1-1140-357		3	SCREW, CROSS-RECESS, PH	2
	XA1-6171-457		3	SCREW, CROSS-RECESS, PH	1
	XA1-7170-507		3	SCREW, CROSS-RECESS, PH	1
	XA4-4170-357		1	SCREW, CROSS-RECESS, PH	1
	XA4-9170-407		1	SCREW, CROSS-RECESS, PH	1
	XA4-9170-507		3	SCREW, CROSS-RECESS, PH	1
	XA4-9200-706		4	SCREW, CROSS-RECESS, PH	1
	XA9-0007-000		2	SETSCREW, SLOTTED, HLCP	2
	YA2-0010-000	D	1	COLLAR, ASSEMBLY	2,4
	YA2-0697-000(XXX)	E	2	COLLAR, FOCUSING	2
	YA2-0758-060	E	1	RING, SNAP	4
	YA2-0759-000	E	1	SCALE, DEPTH OF FIELD	1
	YA2-0760-000	E	1	SCALE, FOCUSING	1
	YA2-0761-000	E	1	COLLAR, ASSEMBLY	2,4
	YA2-0762-000	E	1	COLLAR, ASSEMBLY	2,4
	YA2-0765-000	E	3	SCREW	2
	YA2-0766-000(XXX)	E	1	COLLAR, FOCUSING	2
	YA2-0767-000	D	1	HOOD	2
	YA2-0767-070	D	1	HOOD	2
	YA2-0768-000	D	1	RING, HOOD RETAINING	2
	YA2-0772-000	E	1	WASHER, MOUNT	1
	YA2-0773-000	E	1	RING, COUPLING	2
	YA2-0774-000	D	1	RING, RUBBER	1
	YA2-0775-000	D	1	COVER, BACK	1
	YA2-0779-000	E	1	HOLDER, MAIN CBA	1

PARTS LIST

REF.No.C21-7311 EF200mm 1:2.8L

NEW	PARTS NO.	CLASS	QTY	DESCRIPTION	PAGE
	YA2-0783-030	E	1	COLLAR, ASSEMBLY	2,4
	YA2-0785-000	E	1	SHIELD, DUST	2,4
	YA2-0814-000		2	SCREW, CROSS-RECESS, PH	1
	YA2-0815-000	D	1	SHIELD, NOISE	1
	YA2-0817-000		6	SCREW, CROSS-RECESS, PH	1
	YA2-0819-000	E	1	BARREL, LENS	4
	YA2-2085-000	D	1	TAPE,SUEDE	2
	YG2-0065-000	D	1	POWER DIAPHRAGM UNIT	2
	YG2-0066-000	D	1	FOCUSING UNIT	1
	YG2-0199-000	D	1	CONVERTER, DC/DC	1
	YG2-0210-000	D	1	MAIN CBA	1
	YG2-0214-000	D	1	POWER DIAPHRAGM UNIT	2
	YG2-0261-000	D	1	MAIN CBA	1
	YG9-0089-000	D	1	MAIN CBA ASS'Y	1
	YG9-0098-000	D	1	BARREL, FIXED	1
	YG9-0101-000	E	1	FLEX, CONNECTING	1
	YG9-0106-000	E	1	BARREL, CAM	2
	YG9-0340-000	D	1	MAIN CBA UNIT	1
	YG9-0424-000	D	1	MAIN CBA UNIT	1
	YN2-0381-000	D	1	LENS, G1	2,4
	YN2-0382-000	E	1	LENS, G2	2,4
	YN2-0384-000	E	1	LENS, G4	2,4
	YN2-0385-000	E	1	LENS, G5	2,4

TRIPOD MOUNT RING

REF.NO. C54-7001

NEW	PARTS NO.	CLASS	QTY	DESCRIPTION	PAGE
	CA2-1397-000	C	1	COVER	3
	CA2-1398-000	E	1	SHEET, FRICTION (L)	3
	CA2-1399-000	E	1	SHEET, FRICTION (S)	3
	CB4-0020-000	D	1	KNOB	3
	CY1-2912-000	D	1	KNOB (New)	3

CANON LENS EF200mm 1:2.8L

