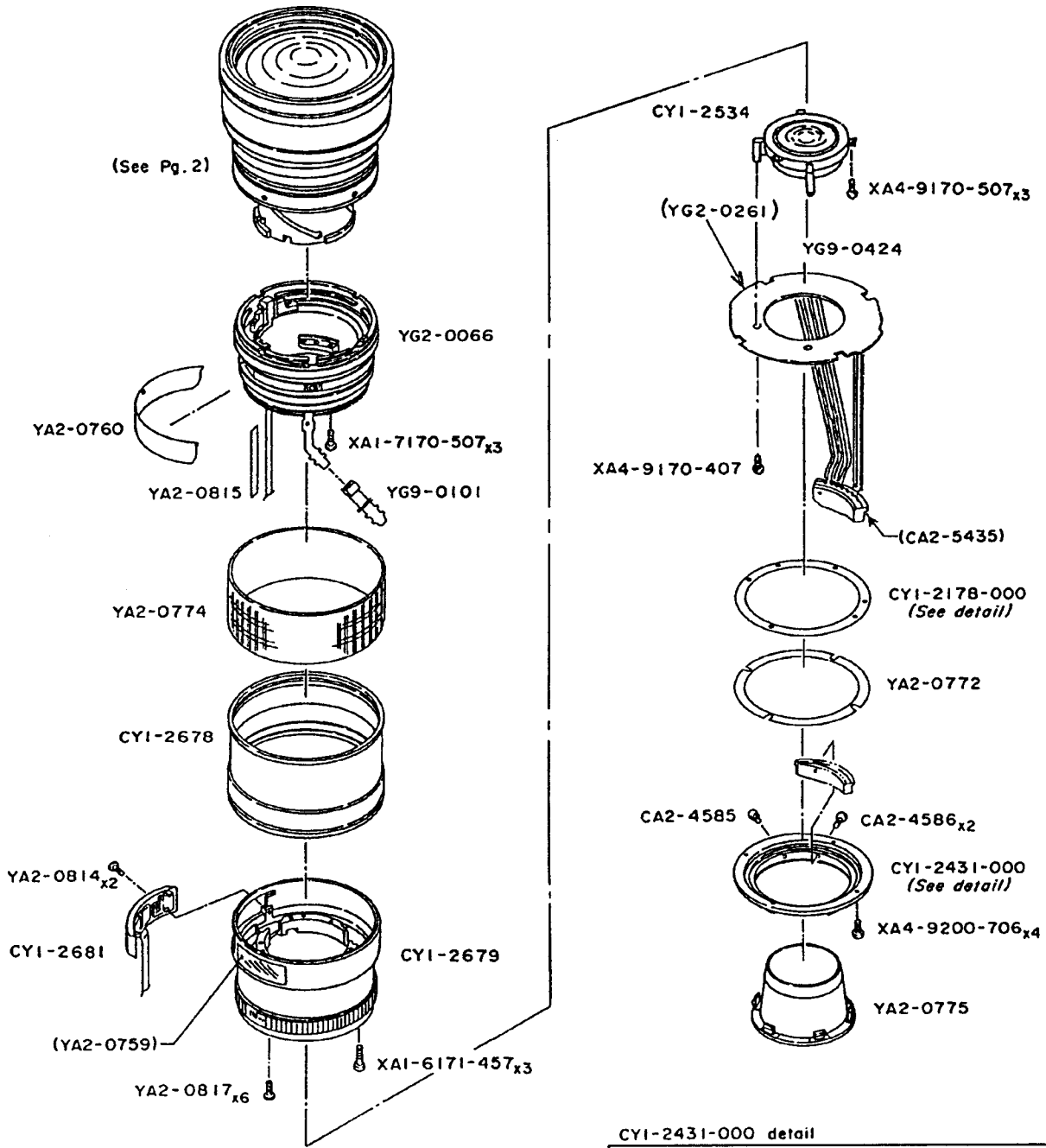


Canon

**EF 200mm 1:2.8 L II USM
REF.NO. C21-8391**

**PARTS
CATALOG**

CANON LENS EF 200 mm 1:2.8L II USM



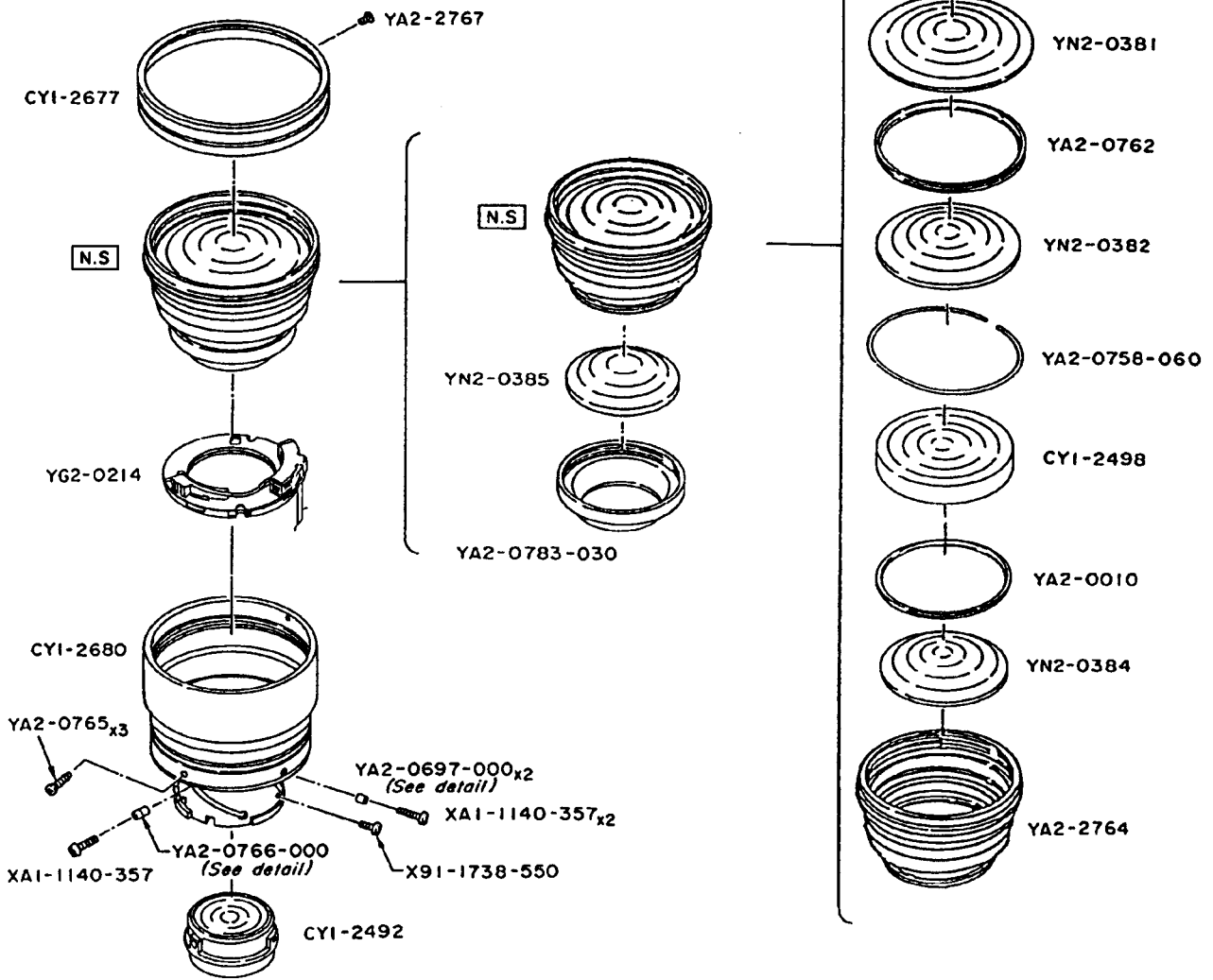
CYI-2178-000 detail

A	SIZE
0.02 mm	(002)
0.05 mm	(005)

CYI-2431-000 detail

A	SIZE	A	SIZE
2.0 mm	(200)	2.5 mm	(250)
2.1 mm	(210)	2.6 mm	(260)
2.2 mm	(220)	2.7 mm	(270)
2.3 mm	(230)	2.8 mm	(280)
2.4 mm	(240)		

CANON LENS EF 200 mm 1:2.8L II USM



YA2-0697-000 detail

A	SIZE
φ 3.98 mm (398)	
φ 3.99 mm (399)	
φ 4.00 mm (400)	
φ 4.01 mm (401)	

YA2-0766-000 detail

A	SIZE
φ 3.99 mm (399)	
φ 4.00 mm (400)	
φ 4.01 mm (401)	

PARTS LIST

REF.No.C21-8391 EF 200mm 1:2.8L II (ULTRASONIC)

NEW	PARTS NO.	CLASS	QTY	DESCRIPTION	PAGE
	CA2-4585-000	E	1	SCREW, MOUNT STOPPER	1
	CA2-4586-000		2	SCREW, CROSS-RECESS, PH	1
	CA2-5435-000	D	1	CONTACT ASS'Y	1
	CY1-2178-000 (XXX)	E	N	WASHER, MOUNT	1
	CY1-2431-000 (XXX)	C	1	MOUNT, LENS	1
	CY1-2492-000	E	1	LENS BARREL ASS'Y, G6/7	2
	CY1-2498-000	E	1	LENS, G3	2
	CY1-2534-000	E	1	REAR LENS ASS'Y	1
	CY1-2677-000	C	1	FILTER RING ASS'Y	2
	CY1-2678-000	D	1	FOCUSING RING ASS'Y	1
	CY1-2679-000	D	1	FIXED BARREL ASS'Y	1
	CY1-2680-000	E	1	BARREL, CAM	2
	CY1-2681-000	D	1	A/M SWITCH ASS'Y	1
	X91-1738-550		1	SCREW, CROSS-RECESS, PH	
	XA1-1140-357		3	SCREW, CROSS-RECESS, PH	2
	XA1-6171-457		3	SCREW, CROSS-RECESS, PH	1
	XA1-7170-507		3	SCREW, CROSS-RECESS, PH	1
	XA4-9170-407		1	SCREW, CROSS-RECESS, PH	1
	XA4-9170-507		3	SCREW, CROSS-RECESS, PH	1
	XA4-9200-706		4	SCREW, CROSS-RECESS, PH	1
	YA2-0010-000	E	1	COLLAR, ASSEMBLY	2
	YA2-0697-000 (XXX)	E	2	COLLAR	2
	YA2-0758-060	E	1	RING, SNAP	2
	YA2-0759-000	E	1	SCALE, DEPTH OF FIELD	1
	YA2-0760-000	E	1	SCALE, FOCUSING	1
	YA2-0761-000	E	1	COLLAR, ASSEMBLY	2
	YA2-0762-000	E	1	COLLAR, ASSEMBLY	2
	YA2-0765-000		3	SCREW, CROSS-RECESS, PH	2
	YA2-0766-000 (XXX)	E	1	COLLAR, FOCUSING	2
	YA2-0772-000	E	1	SPACER, MOUNT	1
	YA2-0774-000	D	1	RING, RUBBER	1
	YA2-0775-000	D	1	COVER, BACK	1
	YA2-0783-030	E	1	COLLAR, ASSEMBLY	2
	YA2-0814-000		2	SCREW, CROSS-RECESS, PH	1
	YA2-0815-000	D	1	SHEET, SHIELD	1
	YA2-0817-000		6	SCREW, CROSS-RECESS, PH	1
	YA2-2764-000	E	1	LENS BARREL, FRONT	2
	YA2-2767-000		1	SCREW, CROSS-RECESS, PH	2
	YG2-0066-000	D	1	FOCUSING UNIT	1
	YG2-0214-000	D	1	POWER DIAPHRAGM UNIT	2

PARTS LIST

REF.No.C21-8391 EF 200mm 1:2.8L II (ULTRASONIC)

NEW	PARTS NO.	CLASS	QTY	DESCRIPTION	PAGE
	YG2-0261-000	D	1	PCB, MAIN	1
	YG9-0101-000	E	1	FPC, CONNECTING	1
	YG9-0424-000	C	1	PCB ASS'Y, MAIN	1
	YN2-0381-000	E	1	LENS, G1	2
	YN2-0382-000	E	1	LENS, G2	2
	YN2-0384-000	E	1	LENS, G4	2
	YN2-0385-000	E	1	LENS, G5	2

TRIPOD MOUNT RING

REF.NO. C54-7001

NEW	PARTS NO.	CLASS	QTY	DESCRIPTION	PAGE
	CA2-1397-000	C	1	COVER	3
	CA2-1398-000	E	1	SHEET, FRICTION (L)	3
	CA2-1399-000	E	1	SHEET, FRICTION (S)	3
	CB4-0020-000	D	1	KNOB	3
	CY1-2912-000	D	1	KNOB (New)	3

CANON LENS EF 200mm 1:2.8L II USM

