

# CHAPTER 4. PARTS CATALOG

## CONTENTS

PowerShot SD100/DIGITAL IXUS II/IXY DIGITAL 30

Casing Parts .....	Pg1
Internal Parts-1 .....	Pg2
Internal Parts-2 .....	Pg3
Optical Unit .....	Pg4
Fuse .....	Pg5
Accessories-1 .....	Pg6
Accessories-2 .....	Pg7
Accessories-3 .....	Pg8
Service Tools-1 .....	Pg9
Service Tools-2 .....	Pg10

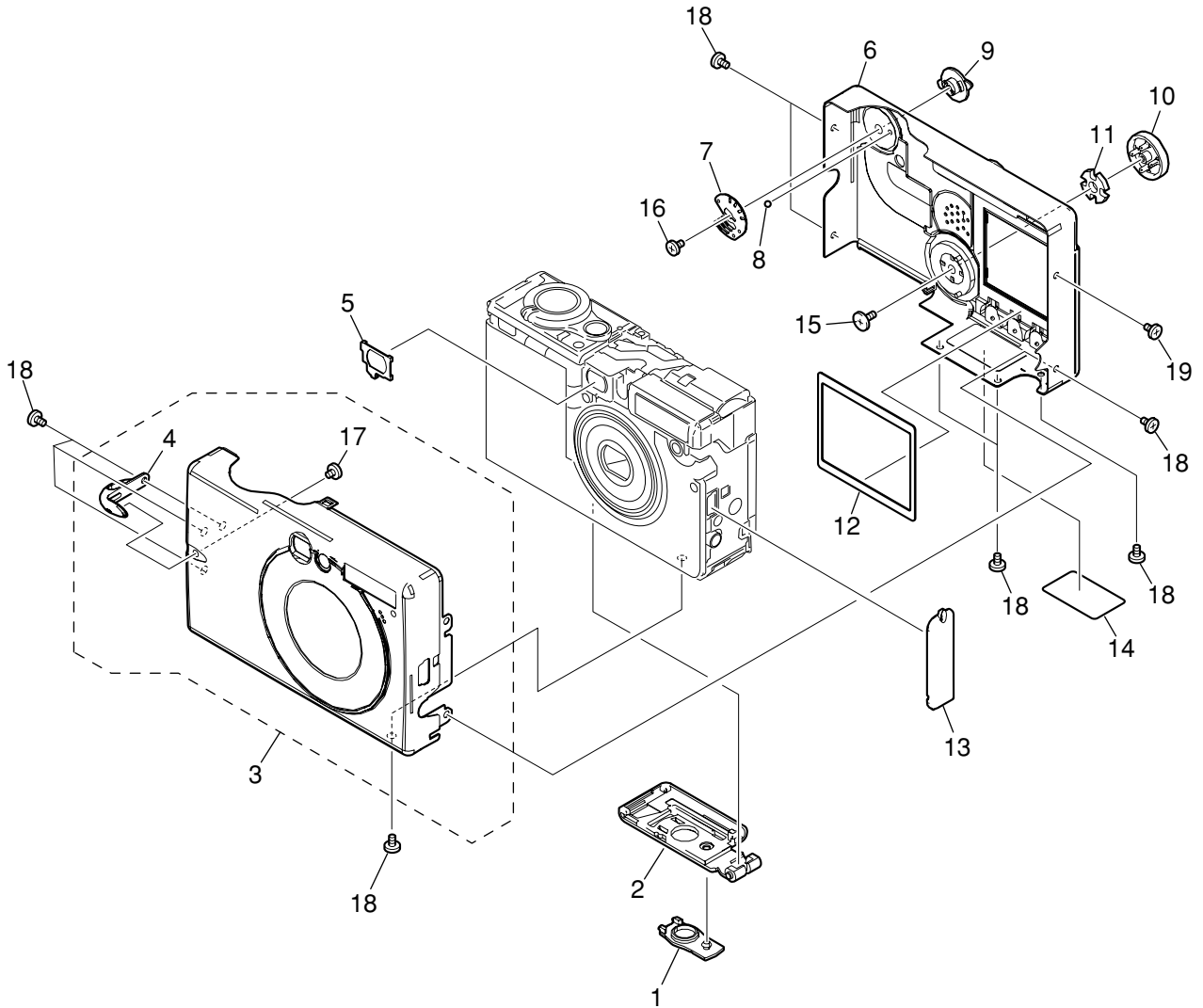
### CLASS凡例

- A: 使用頻度 高
- B: 使用頻度 中
- C: 使用頻度 低
- D: 安全規格部品
- E: 消耗部品
- F: 標準ネジ、ワッシャー
- S: 供給制限品
- Y: サービス工具

### Category of CLASS

- A: Frequency of use: High
- B: Frequency of use: Middle
- C: Frequency of use: Low
- D: Safety-related critical parts
- E: Consumable parts
- F: Standard screws and washers
- S: Supply of the parts is limited
- Y: Service Tools

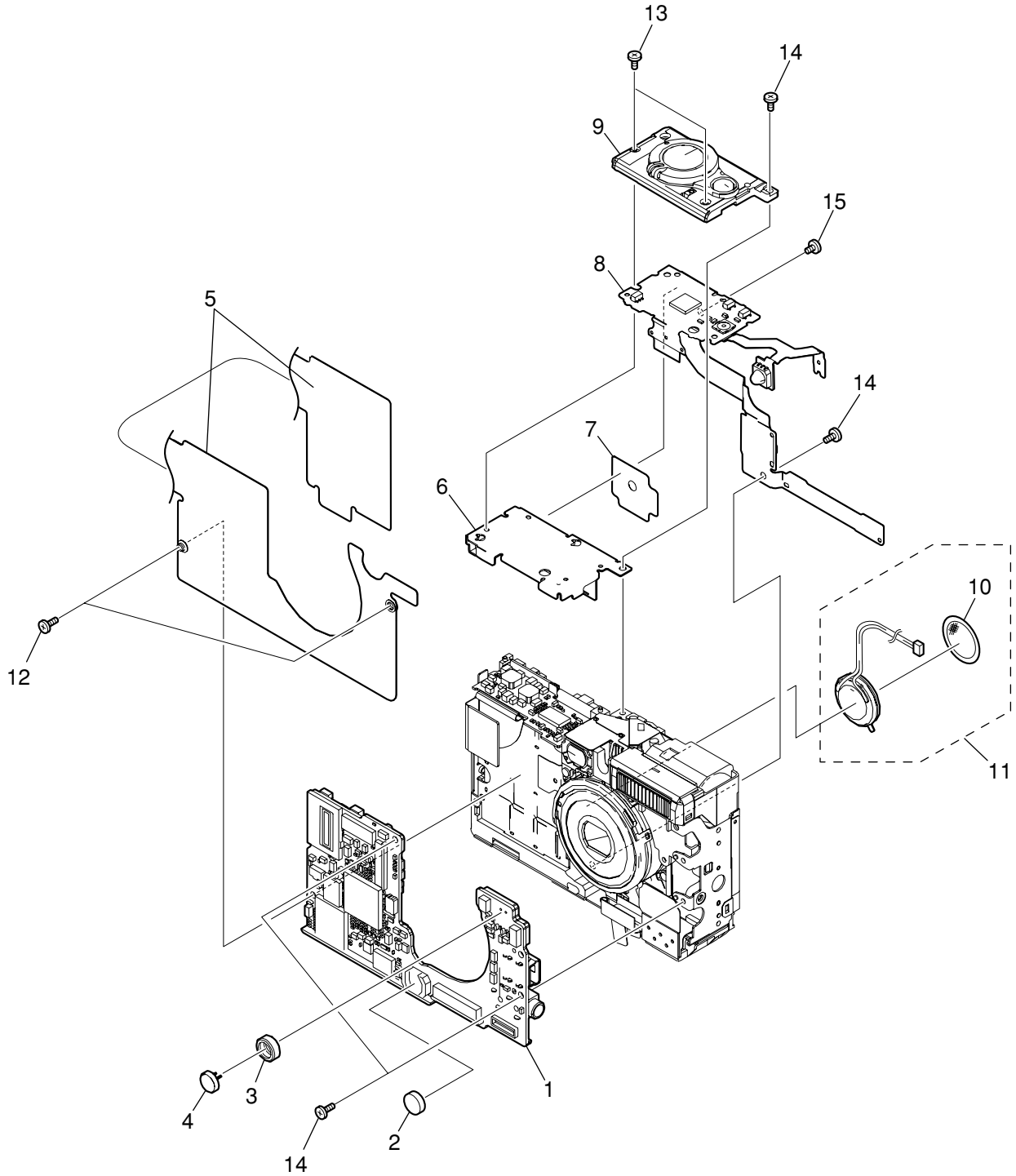
# Casing Parts



# PARTS LIST

SYMBOL	PARTS NO.	CLASS	QTY	DESCRIPTION	REMARKS
1	CD1-4691-000	B	1	COVER, DC COUPLER	
2	CD1-4683-000	B	1	COVER, BATTERY	
3	CM1-1506-000	B	1	FRONT COVER UNIT	IXY DIGITAL 30
	CM1-1507-000	B	1	FRONT COVER UNIT	PowerShot SD100
	CM1-1508-000	B	1	FRONT COVER UNIT	DIGITAL IXUS II
4	CD1-4665-000	B	1	RING, STRAP	
5	CD1-4653-000	C	1	RUBBER, FINDER	
6	CM1-1513-000	B	1	REAR COVER UNIT	
7	CD1-4710-000	C	1	BRUSH, MODE	
8	XG8-1500-551	C	1	BALL, MODE DIAL	
9	CD1-4708-000	B	1	DIAL, MODE	
10	CD1-4705-000	B	1	BUTTON, KEY (+)	
11	CD1-4727-000	C	1	CUSHION, KEY (+)	
12	CD1-4711-000	C	1	SPACER, LCD	
13	CD1-4690-000	B	1	COVER, JACK	
14	CY1-6289-000	B	1	PLATE, BODY NUMBER	#13011 xxxxx
	CY1-6293-000	B	1	PLATE, BODY NUMBER (CH), CHINA	#13651 xxxxx
15	CD1-4706-000	C	1	SCREW	
16	CD1-4729-000	C	1	SCREW	
17	XA1-7140-167	F	1	SCREW	
18	CD1-4248-000	C	10	SCREW	
19	CD1-4731-000	C	1	SCREW	

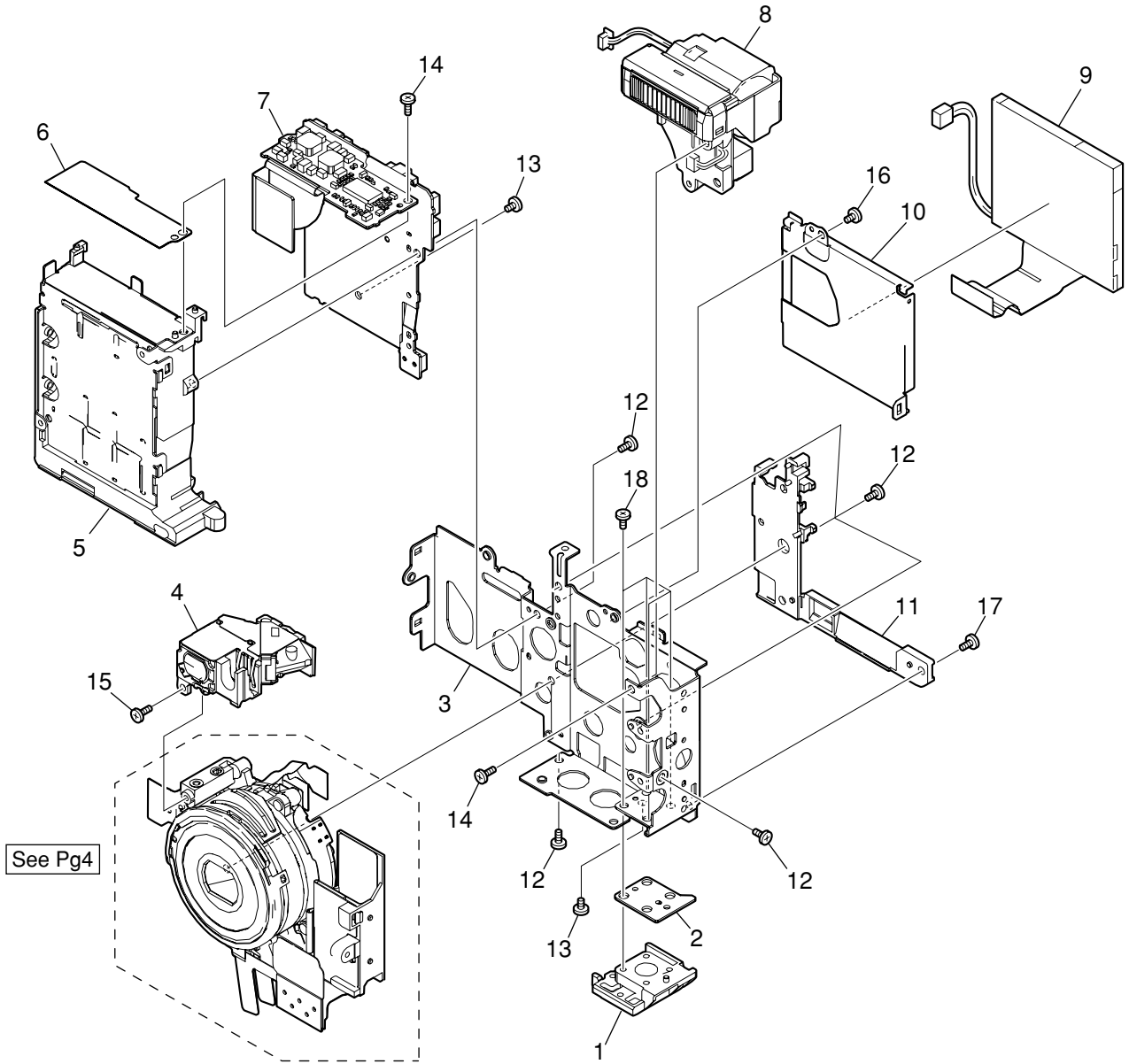
# Internal Parts-1



# PARTS LIST

SYMBOL	PARTS NO.	CLASS	QTY	DESCRIPTION	REMARKS
1	CM1-1496-000	C	1	PCB ASS'Y, MAIN	
2	WK1-5140-000	C	1	BATTERY, LITHIUM (2ND)	
3	CD1-4241-000	C	1	HOLDER, MICROPHONE	
4	WR1-5084-000	C	1	MICROPHONE UNIT	
5	CL1-1115-000	C	1	SHIELD SHEET UNIT	
6	CD1-4712-000	C	1	PLATE, OPERATION	
7	CD1-4726-000	C	1	TAPE, MODE DIAL	
8	CM1-1498-000	C	1	OPERATION KEY UNIT	
9	CM1-1512-000	B	1	SHUTTER BUTTON UNIT	
10	CM1-2112-000	C	1	SPEAKER SHEET UNIT	
11	CM1-1511-000	C	1	SPEAKER UNIT	
12	XA1-7170-409	F	2	SCREW	
13	XA1-7140-257	F	2	SCREW	
14	XA1-7170-307	F	4	SCREW	
15	XA1-7170-167	F	1	SCREW	

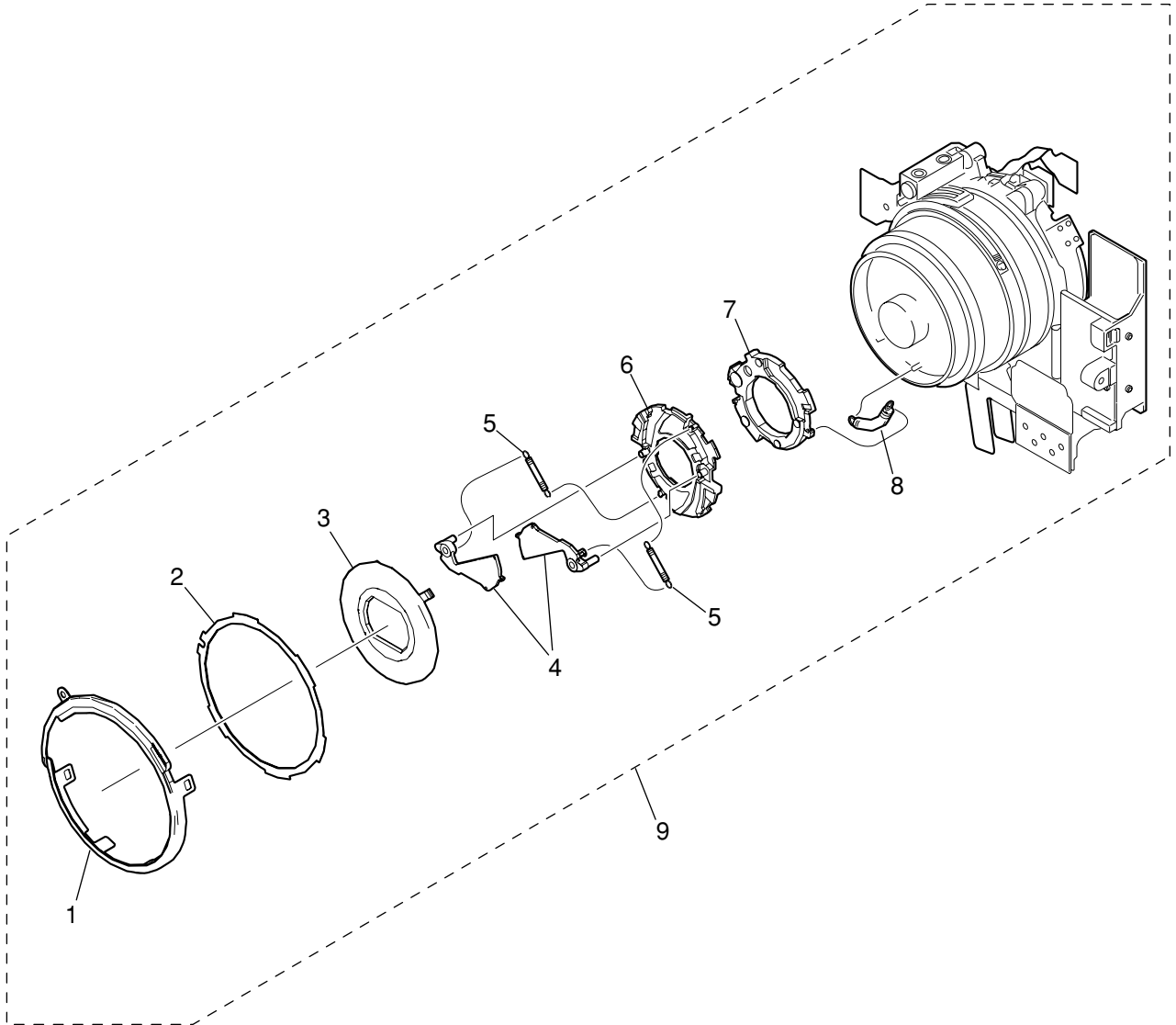
# Internal Parts-2



# PARTS LIST

SYMBOL	PARTS NO.	CLASS	QTY	DESCRIPTION	REMARKS
1	CD1-4686-000	C	1	SOCKET, TRIPOD	
2	CD1-4685-000	C	1	PLATE, TRIPOD	
3	CD1-4684-000	C	1	FRAME, MAIN	
4	CM1-1502-000	C	1	FINDER UNIT	
5	CM1-1503-000	C	1	BATTERY BOX UNIT	
6	CD1-4682-000	C	1	SHEET, DC	
7	CM1-1497-000	C	1	PCB ASS'Y DC/SD	
8	CM1-1499-000	C	1	FLASH UNIT	
9	WG2-5242-000	C	1	PANEL, LCD	
	WG2-5242-001	C	1	PANEL, LCD (SELECTION)	
10	CD1-4689-000	C	1	FRAME, LCD	
11	CD1-4687-000	C	1	BASE, RSW	
12	XA4-5170-309	F	6	SCREW	
13	CD1-4694-000	C	2	SCREW	
14	XA4-9170-359	F	2	SCREW	
15	XA4-9140-359	F	1	SCREW	
16	XA1-7170-167	F	1	SCREW	
17	XA1-7170-307	F	1	SCREW	
18	XA1-7170-357	F	4	SCREW	

# Optical Unit

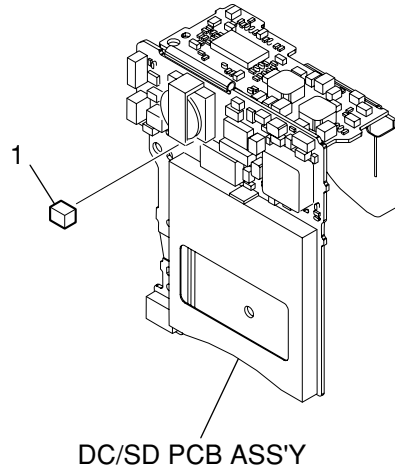




# PARTS LIST

SYMBOL	PARTS NO.	CLASS	QTY	DESCRIPTION	REMARKS
1	CD1-4607-000	C	1	CAP, BASE BARREL	
2	CD1-4622-000	C	1	SHEET, LENS BARREL	
3	CM1-1284-000	B	1	FRONT CAP UNIT	
4	CD1-4637-000	C	2	PLATE, BARRIER	
5	CS8-5282-000	C	2	SPRING, BARRIER CLOSE	
6	CD1-4634-000	C	1	BASE, BARRIER	
7	CD1-4635-000	C	1	RING, BARRIER DRIVE	
8	CS8-5283-000	C	1	SPRING, BARRIER OPEN	
9	CM1-1283-000	C	1	OPTICAL UNIT	

# Fuse

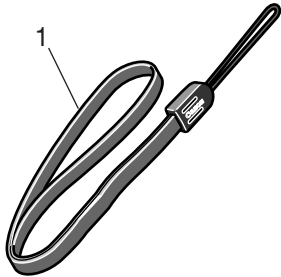


# PARTS LIST

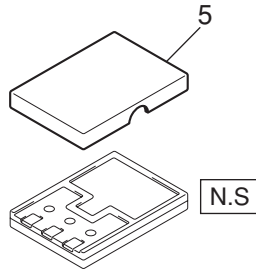
SYMBOL	PARTS NO.	CLASS	QTY	DESCRIPTION	REMARKS
1	CY4-6074-000	C	1	FUSE, MATSU.DENKI UNHS206	

## Accessories-1

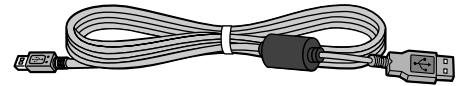
**Wrist Strap WS-300**



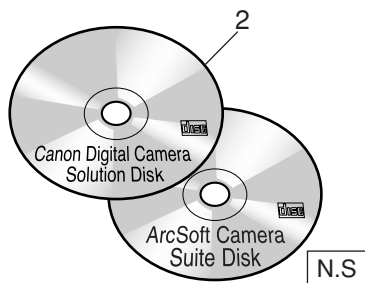
**Terminal Cover NB-3L**



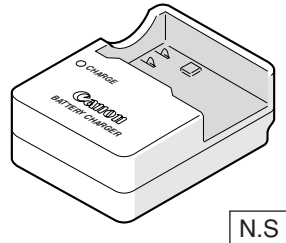
**USB Interface Cable IFC-300PCU**



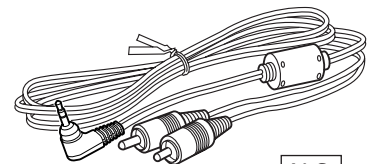
**Canon Digital Camera Solution Disk, ArcSoft Camera Suite Disk**



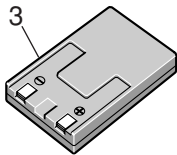
**Battery Charger CB-2LU/2LUE**



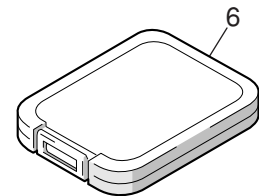
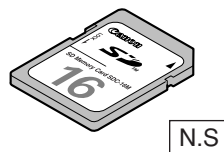
**AV Cable AVC-DC100**



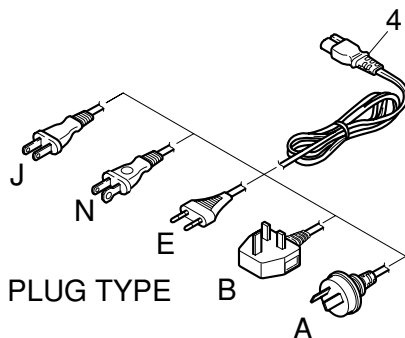
**DC Coupler DR-900**



**SD Memory Card SDC-16M SD Card Case**



**AC Cable**



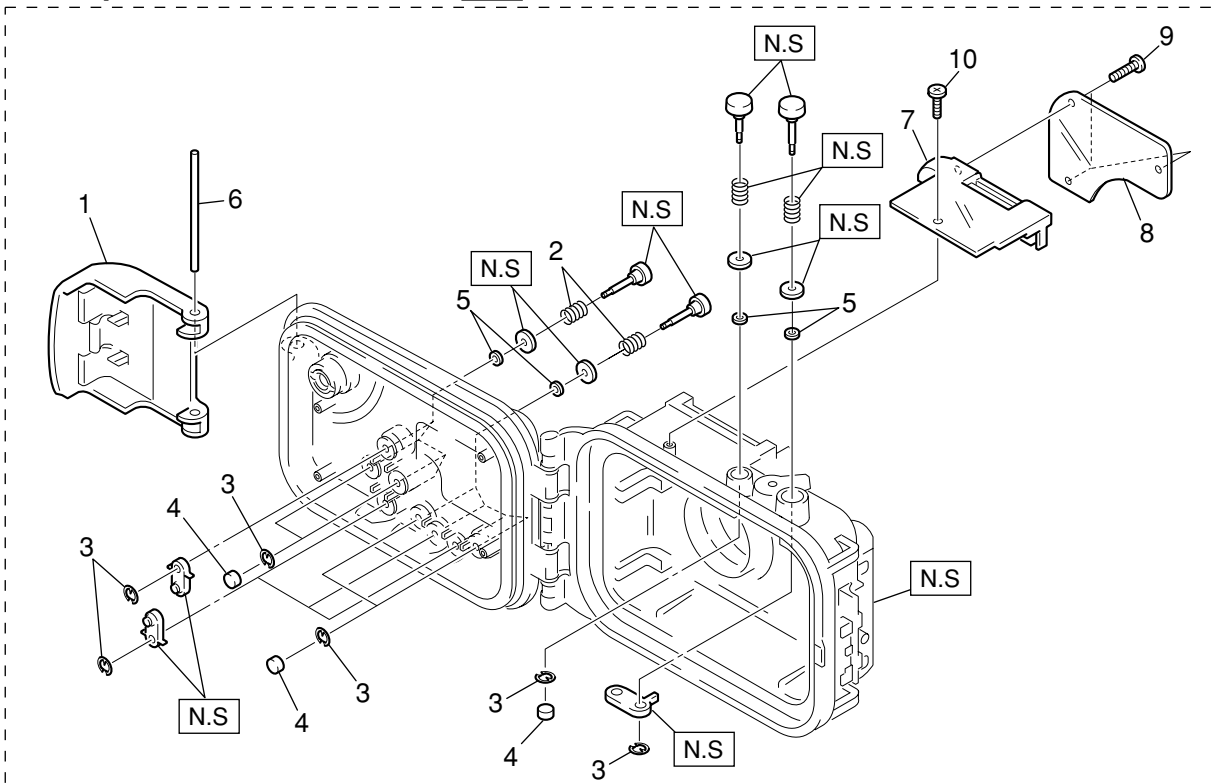
**N.S.** : N.S Stand for No Stock (Product available)

# PARTS LIST

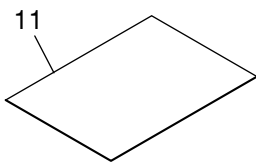
SYMBOL	PARTS NO.	CLASS	QTY	DESCRIPTION	REMARKS
1	C84-1082-000	B	1	STRAP, WRIST WS-300	
2	C84-1165-000	S	1	CD-ROM, SOLUTION VER. 12.0 (J/E)	FOR JAPAN
	C84-1166-000	S	1	CD-ROM, SOLUTION VER. 12.0 (E/F/S)	FOR USA, CANADA
	C84-1167-000	S	1	CD-ROM, SOLUTION VER. 12.1 (J/E/C)	FOR ASIA, AUSTRALIA
3	C84-1143-000	B	1	DC COUPLER, DR-900	
4	D82-0641-000	C	1	CABLE, AC (J)	FOR JAPAN
	WT3-5063-000	C	1	CABLE, AC (N)	FOR USA, CANADA
	D82-0643-000	C	1	CABLE, AC (E)	FOR EUROPE, ASIA
	D82-0644-000	C	1	CABLE, AC (B)	FOR ASIA
	D82-0645-000	C	1	CABLE, AC (A)	FOR AUSTRALIA
5	CD1-4988-000	B	1	COVER, TERMINAL NB-3L	
6	C84-1182-000	B	1	CASE, SD	

## Accessories-2

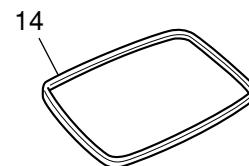
### Waterproof Case WP-DC 10 N.S



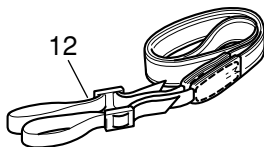
#### Sheet



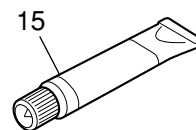
#### Waterproof Seal



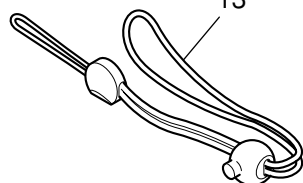
#### Neck Strap



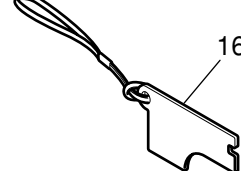
#### Silicone Grease



#### Wrist Strap



#### Diffusion Plate Unit



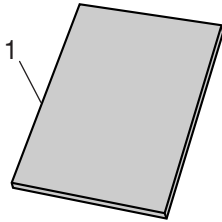
N.S: N.S Stand for No Stock (Product available)

# PARTS LIST

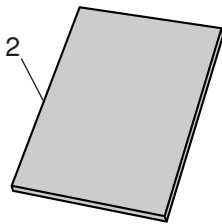
SYMBOL	PARTS NO.	CLASS	QTY	DESCRIPTION	REMARKS
1	CM1-1635-000	C	1	BUCKLE ASS'Y	
2	CD1-5038-000	C	8	SPRING, COIL	
3	CD1-5039-000	C	10	E RING	
4	CD1-5040-000	C	5	CAP, BUTTON	
5	CD1-5041-000	C	10	O RING	
6	CD1-5042-000	C	1	SHAFT, BUCKLE	
7	CD1-5045-000	C	1	HOLDER, DEFUSION PLATE	
8	CD1-5046-000	C	1	PROTECTOR, DEFUSION PLATE	
9	CD1-5047-000	C	3	SCREW	
10	CD1-5048-000	C	1	SCREW	
11	CD1-5043-000	C	1	SHEET	FOR JAPAN
12	CY1-6099-000	B	1	STRAP, NECK	
13	CY1-6174-000	B	1	STRAP, WRIST	
14	CD1-5044-000	B	1	PACKING, RUBBER	
15	CY9-3029-000	C	1	GREASE PACKING	
16	CM1-1636-000	B	1	DIFFUSION PLATE UNIT	

## Accessories-3

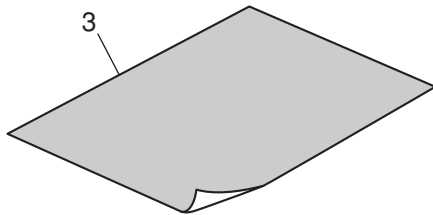
### Camera User Guide



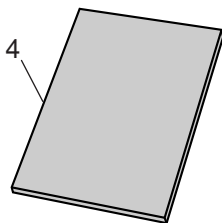
### Software Starter Guide



### System Map



### Quick Start Guide



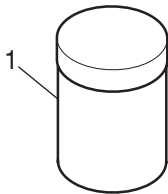


# PARTS LIST

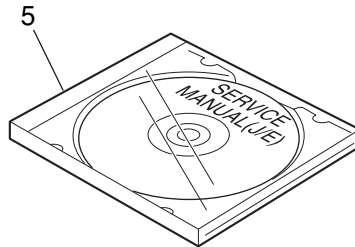
SYMBOL	PARTS NO.	CLASS	QTY	DESCRIPTION	REMARKS
1	CDI-J075-000	S	1	I.BOOK (JAPANESE)	FOR JAPAN
	CDI-E084-000	S	1	I.BOOK (ENGLISH)	FOR USA, CANADA, ASIA, AUSTRALIA
	CDI-F073-000	S	1	I.BOOK (FRENCH)	FOR CANADA
	CDI-S074-000	S	1	I.BOOK (SPANISH)	FOR USA
2	CDI-J090-000	S	1	SOFTWARE GUIDE (JAPANESE) VER.12	FOR JAPAN
	CDI-E097-000	S	1	SOFTWARE GUIDE (ENGLISH) VER.12	FOR USA, CANADA, ASIA, AUSTRALIA
	CDI-F085-000	S	1	SOFTWARE GUIDE (FRENCH) VER.12	FOR CANADA
	CDI-S086-000	S	1	SOFTWARE GUIDE (SPANISH) VER.12	FOR USA
3	CDI-J076-000	S	1	SYSTEM MAP (JAPANESE)	FOR JAPAN
	CDI-E085-000	S	1	SYSTEM MAP (ENGLISH)	FOR USA, CANADA, ASIA, AUSTRALIA
	CDI-F074-000	S	1	SYSTEM MAP (FRENCH)	FOR CANADA
	CDI-S075-000	S	1	SYSTEM MAP (SPANISH)	FOR USA
4	CDI-J077-000	S	1	QUICK START GUIDE (JAPANESE)	FOR JAPAN
	CDI-E086-000	S	1	QUICK START GUIDE (ENGLISH)	FOR USA, CANADA, ASIA, AUSTRALIA
	CDI-F075-000	S	1	QUICK START GUIDE (FRENCH)	FOR CANADA
	CDI-S076-000	S	1	QUICK START GUIDE (SPANISH)	FOR USA

## Service Tools-1

**Logenest Rambda A-74**



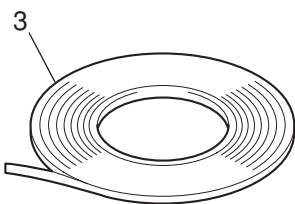
**Service Manual CD-ROM**



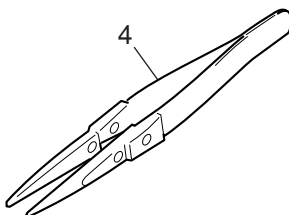
**DIA Bond NO.1663G Black**



**Adhesive Tape SONY T4000**



**Plastic Tweezers**

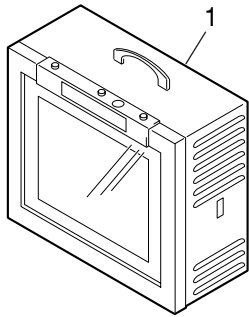


# PARTS LIST

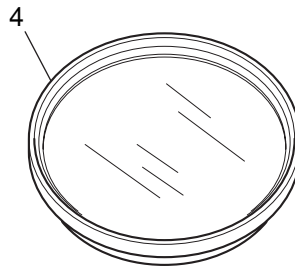
SYMBOL	PARTS NO.	CLASS	QTY	DESCRIPTION	REMARKS
1	CY9-8102-000	Y	1	LUBE, LOGNEST RAMBDA A-74	80g
2	CY9-8129-000	Y	1	BOND, DIA BOND NO.1663G BLACK	
3	CY4-6012-000	Y	1	ADHESIVE TAPE, SONY T4000	6mm × 50m roll
4	CY9-1558-000	Y	1	TWEEZERS, PLASTIC	
5	CY8-4387-031	Y	1	CD-ROM, SERVICE MANUAL (J/E)	

## Service Tools-2

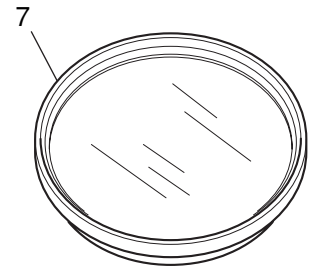
**Color Viewer (5600° K)**



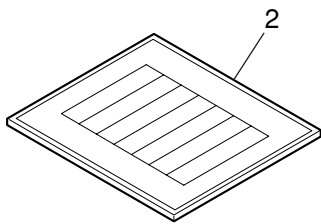
**C-12 Filter**



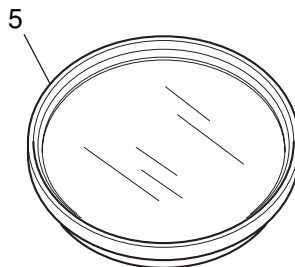
**ND-2 Filter**



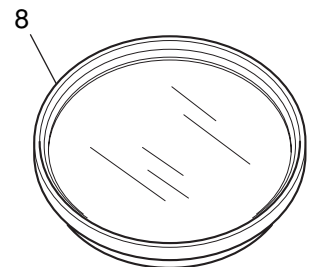
**Standard Color Bar Chart**



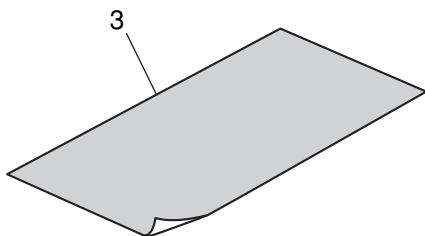
**W-10 Filter**



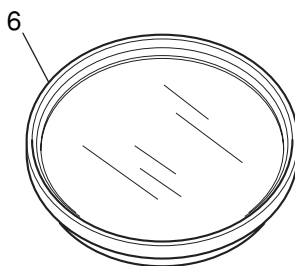
**ND-4 Filter**



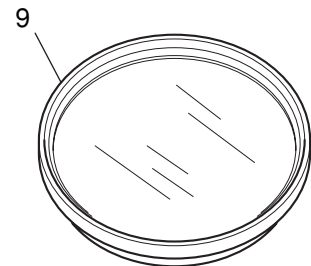
**18% Gray Chart**



**FL-W Filter**



**ND-8 Filter**



# PARTS LIST

SYMBOL	PARTS NO.	CLASS	QTY	DESCRIPTION	REMARKS
1	DY9-2039-100	Y	1	COLOR VIEWER 5600K	
2	DY9-2002-000	Y	1	COLOR BAR CHART	
3	CY4-6016-000	Y	1	CHART, 18% GRAY	
4	CY9-1555-000	Y	1	FILTER, C-12	
5	CY9-1556-000	Y	1	FILTER, W-10	
6	CY9-1557-000	Y	1	FILTER, FL-W	
7	CY9-1552-000	Y	1	FILTER, ND-2	
8	CY9-1553-000	Y	1	FILTER, ND-4	
9	CY9-1554-000	Y	1	FILTER, ND-8	